

## Signal lamp with integrated LED, 5 mm, protruding round bezel, 28 Volt, bezel green, Solder terminal



### fields of application

- > Measurement-control-regulation
- > Electrical engineering
- > Mechanical and system engineering
- > Signalling systems
- > Model construction



### description

Signal lamps with integrated LED, mounting hole diameter 5 mm

### technical data

#### > general

|   |             |
|---|-------------|
| Bezel color   | green       |
| Property of bezel / mushroom                                | transparent |
| Bezel shape   | round       |
| illuminated   | Yes         |
| Packaging unit  | 10 pcs.     |
| Degree of protection, front side, according to DIN EN 60529 | IP40        |
| MOQ order   | 10 pcs.     |
| RoHS compliant  | Yes         |
| REACH compliant   | Yes         |

#### direct links

- > [RAFI eCatalog](#)

#### > mounting diameters

|                     |        |
|---------------------|--------|
| Mounting hole       | 5 mm   |
| Mounting depth      | 18 mm  |
| Installation height | 3.5 mm |
| Collar dimension    | 5.8 mm |

#### > mechanical data

|                      |                            |
|----------------------|----------------------------|
| Fixing               | Pushing into mounting hole |
| Terminal on the rear | Solder terminal            |
| Solderability        | Yes                        |

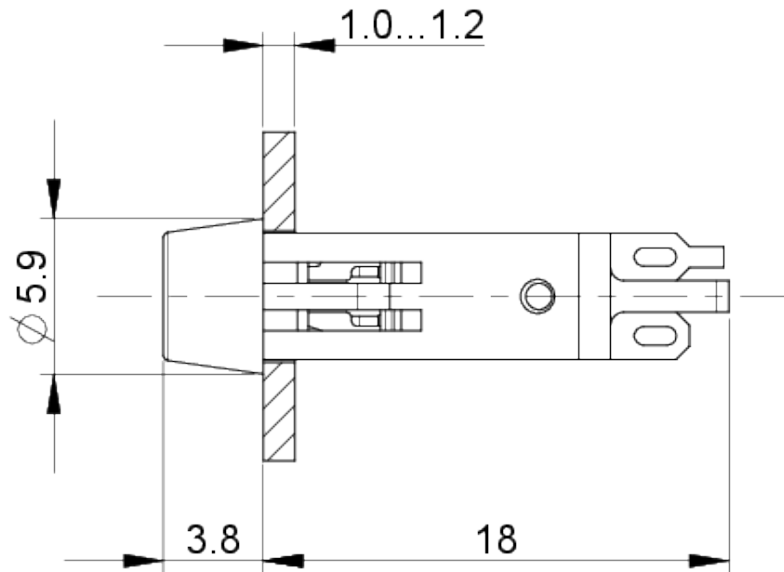
**> electrical data**

Operating voltage of the luminous  
element, min. 24 V

Operating voltage of the luminous  
element, max. 28 V

**drawings**

**Dimensioned drawing**



**Mounting hole drawing**

