

RAFIX 22 FSR, illuminated pushbutton, round collar, momentary contact function, frontring black, bezel white



fields of application

- Measurement-control-regulation
- Mechanical and system engineering
- Agricultural and forestry machinery
- Construction machinery

special features

Illuminated pushbutton with protective cap

The protective cap reinforces the protection against liquids, dirt and chips.

Low mounting depth 9.2 mm (PCB) or 27 mm (QC)

Ideal for operation with gloves

Connection types: printed circuit board connection (PCB) or plug-in connection (QC)

PCB switching elements minimize assembly errors

Switching elements with silver contacts (max. 250 V/4 A) or gold contacts (max. 35 V/100 mA)

Due to the tactile switch adapter MICON 5 switches can be used as switching element

Degree of protection: IP 65 at the front

Front panel illumination with SMT-LED

Labeling and front rings in other colors on request



description

RAFIX control devices are defined at RAFI as modular elements, consisting of an actuating element, if necessary a coupling and an individual contact or lighting unit.

Actuating elements (such as pushbuttons, emergency stop actuators, etc.) have the intended tactility, reset and function only when assembled with the appropriate switching elements.

Illuminated pushbutton, with protective cap for use in more difficult environmental conditions.

technical data

> general

Disassembly possible	no
Bezel color	white
Property of bezel / mushroom	translucent
Front ring color	black
Collar shape	round
Operating temperature, min.	-40 °C
Storage temperature, min.	-40 °C
Operating temperature, max.	85 °C
Storage temperature, max.	85 °C
illuminated	Yes
Packaging	Box
Packaging unit	10 pcs.
net weight	10.9 g
Operating life	1,000,000 cycles
B10	1,300,000 cycles
Degree of protection, front side, according to DIN EN 60529	IP65 IP69 with water spray distance >25 cm
UL Enclosure Type Rating front side	type 1 type 4X
Environment resistance	IEC 60068-2-14 IEC 60068-2-30 IEC 60068-2-33 IEC 60068-2-78
Salt-spray resistance according to standard	IEC 60068-2-11
MOQ order	10 pcs.
RoHS compliant	Yes
REACH compliant	Yes

direct links

> [RAFI eCatalog](#)

> mounting diameters

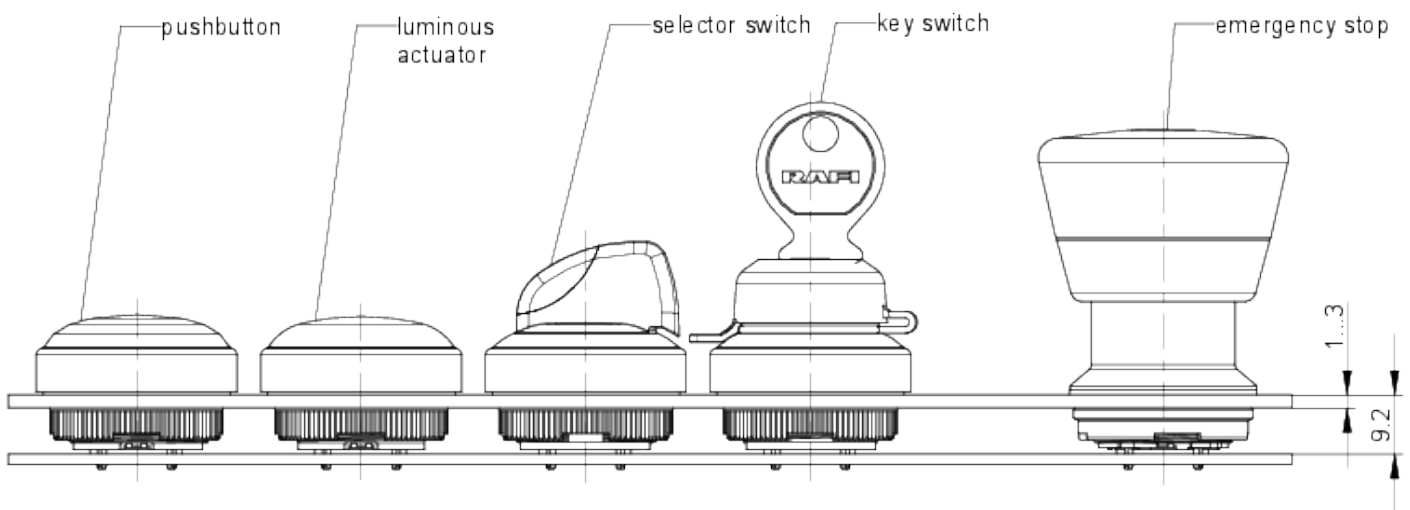
Mounting hole	22.3 mm
Mounting depth	9.2 mm
Installation height	12.2 mm
Grid, min.	35 x 35 mm
Outside dimension, length	31.3 mm
Outside dimension, width	31.3 mm
Outside dimension, height	21 mm
Collar dimension	ø 31,3 mm

> mechanical data

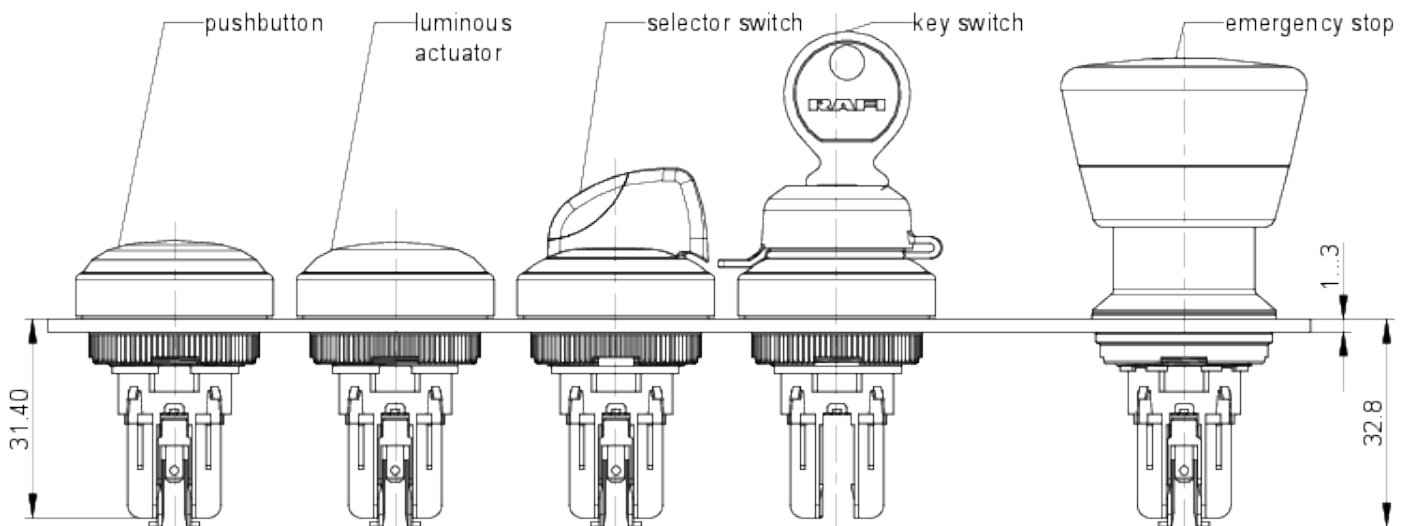
Actuation function	momentary contact function
Operating force, max.	100 N
Operating travel, max.	4 mm
Fixing	Threaded ring
Threaded ring torque, max.	1.2 Nm

drawings

System drawing



System drawing



front panel drawing

