

Renesas Starter Kit for M16C/62P

[Block Diagram](#)
[Configuration](#)
[Layout and Specification](#)
[Ordering Information](#)
[PC System Requirements](#)
[Technical Support](#)

Documentation

Downloads

Purchasing Info

[Full Product Info](#)

ON THIS PAGE:

Product Overview	Block Diagram
Configuration	Layout and Specification
Ordering Information	PC System Requirements
Technical Support	



Tool DistLink

Please contact your distributor for the orderable part number for this device.

Renesas Starter Kit for M16C/62P

Target Devices

Device Group: M16C/62P
 Device Part No. populated on the board: M30626FJPGP

For more information on the microcontroller please view the M16C/62P Device page.

? Link to "[M16C/62P Device page](#)"

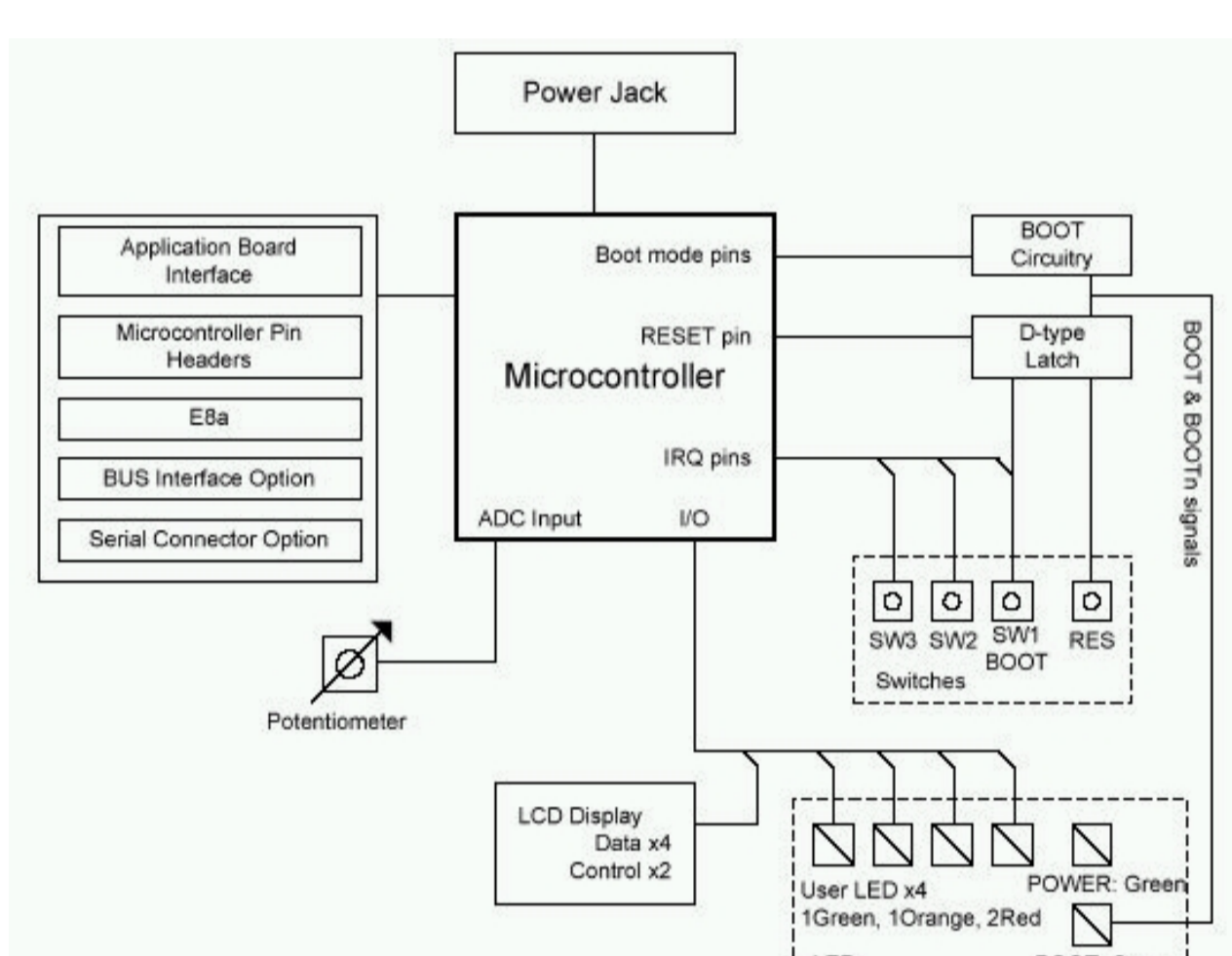
Product Overview

The Renesas Starter Kit for M16C/62P is intended as a usefriendly introductory and evaluation tool for the M16C/62P microcontroller. The board also provides a useful platform for evaluating the Renesas suite of development tools for coding and debugging, using Highperformance Embedded Workshop as well as programming the device using E8a emulator and/or Flash Development Toolkit.

The Renesas Starter Kit for M16C/62P may be connected to the host PC using a simple RS232 serial connection (not normally fitted) or via the included USB E8a on chip debugging interface.

The purpose of the board is to enable the user to evaluate the capabilities of the device and its peripherals by giving the user a simple platform on which code can be run only minutes from opening box. It can also prove an invaluable tool in development by providing a useful test platform for code already debugged using one of our more powerful emulation tools.

Functional Representation



Kit Contents

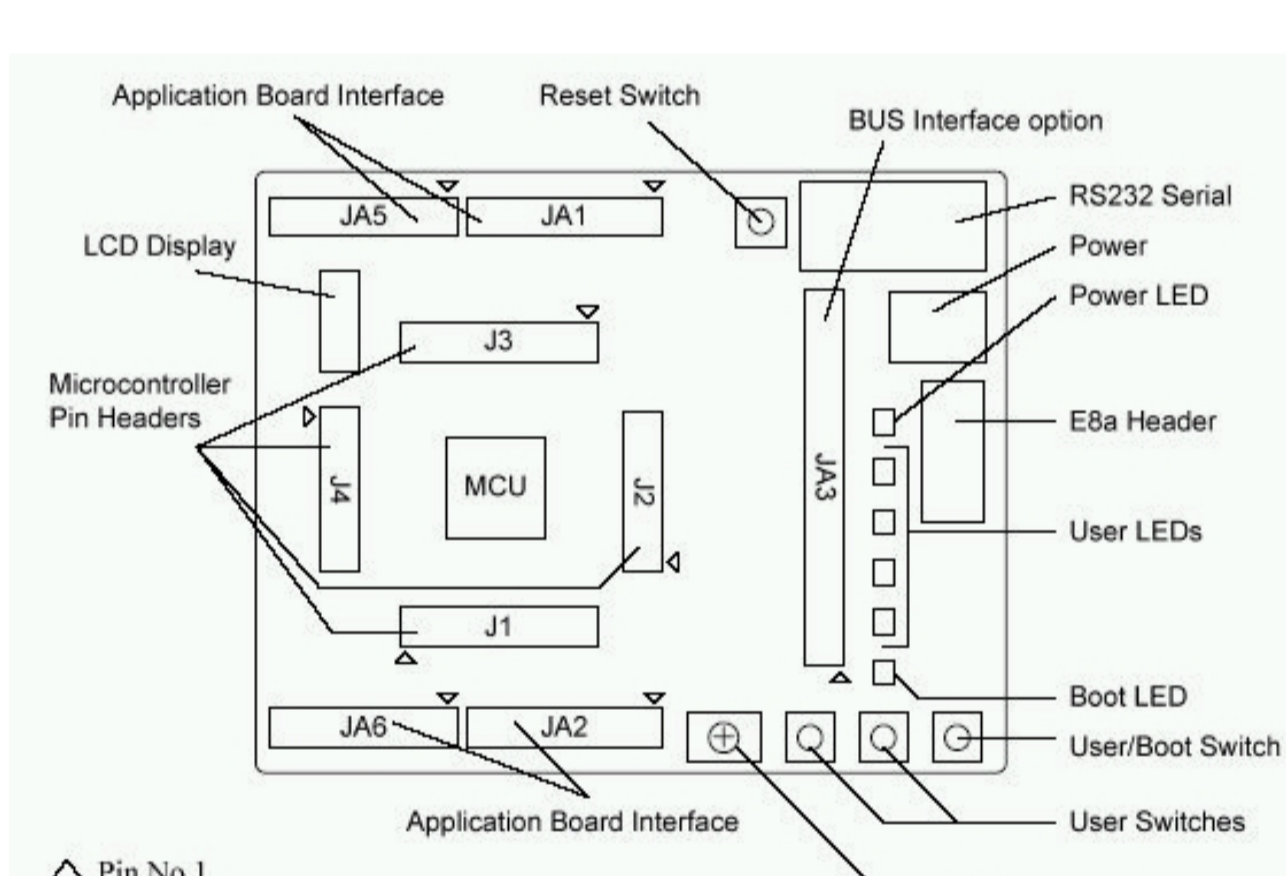
- ? CPU Board
- ? Detachable LCD Display Module
- ? Detachable AD Adjustment Shaft
- ? E8a Emulator
- ? Connection Cable (USB Cable, User Interface Cable)
- ? Quick Start Guide
- ? CD-ROM
 - Documents : User Manual, Tutorial, and more
 - IDE : Highperformance Embedded Workshop
 - C Compiler : M3TNC30WA Evaluation Version
 - Debugger : E8a Emulator Debugger

Notes

- ? The M3TNC30WA Evaluation Version does not come with technical support services. In addition, The M3TNC30WA Evaluation Version has some restrictions compared to the M3TNC30WA Professional Version.
- ? **Trial period: 60 days**
The link size will be limited to 64KB after 60 days.
- ? The Flash Development Toolkit Evaluation Version does not come with technical support services.

Board Layout

The LCD display module is supplied as a detachable subboard. The board dimensions are 120mm by 100mm, detailed dimensions are available in the user manual.



Board Specification

Item	Specification
Microcontroller	M30626FJPGP
Input Clock	Main: 6MHz Sub: 32.768kHz
Potentiometer	Single-turn, 10k Ω
LED	Power indicator: green x 1 Boot indicator: orange x 1 User: green x 1, orange x 1, red x 2
Switch	Reset x 1 User/Boot x 1 User x 2
DC Power Jack	5V Input
E8a Header	14-pin box header
RS232 Serial Connector	9-pin DSUB
LCD Display Connector	14-pin socket
Microcontroller Pin Header	2.54mm pitch, 30pin x 2 (J1, J3), 20-pin x 2 (J2, J4)
Application Board Interface	2.54mm pitch, 26pin x 2 (JA1, JA2), 24-pin x 2 (JA5, JA6)
BUS Interface Option	2.54mm pitch, 50pin

* RS232 Serial Connector, Microcontroller Pin Header, Application Board Interface and BUS Interface Option are not contained in the product.

Ordering Information

This product is in mass production. This product can be purchased through [the normal sales channels](#)

Product Name	Supported Device Group	Part Number (Ordering Number)	Availability
Renesas Starter Kit for M16C/62P	M16C/62P	R0K33062PS000BE	Available

PC System Requirements

- ? IBM PC/AT or compatible PC (USB interface necessary) *1
- ? Intel Pentium? 600MHz or higher *3
- ? Memory 128MB or higher
- ? Microsoft Windows 2000/ Windows XP *2

*1: IBM and PC/AT are registered trademarks of International Business Machines Corporation of the U.S.

*2: MS, MSDOS and Windows are registered trademarks of Microsoft Corporation of the U.S.

*3: Pentium is a trademark of Intel Corporation of the U.S.

Technical Support

If you encounter problems concerning the bundled debugger (E8a), please contact <http://www.renesas.com/inquiry> or csc@renesas.com.

When contacting us, please use the following information ready:

your name, company name, department name, fax number, MCU part number (ex. MC M30626FJPGP), tool part number, version of debugger and a brief description of the problem.

C Compiler M3TNC30WA Evaluation Version and Flash Development Toolkit Evaluation Version do not come with technical support services.