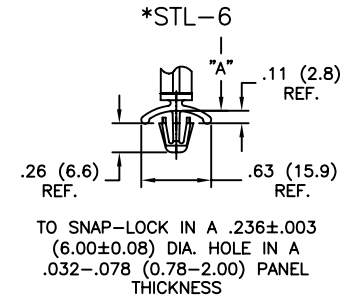
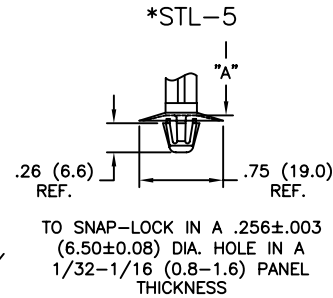
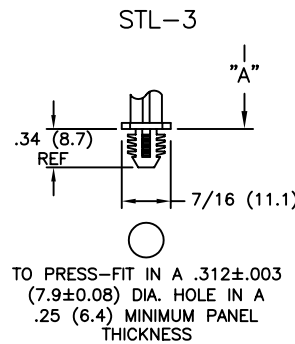
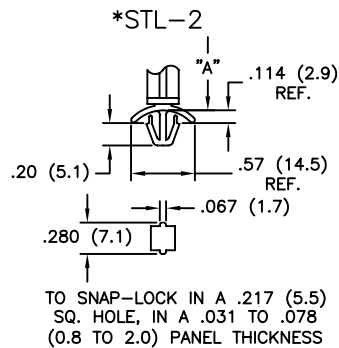
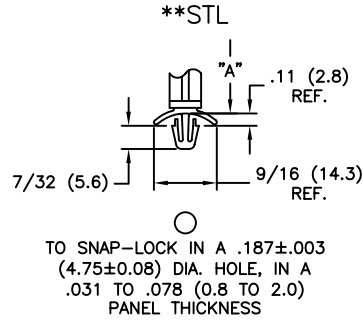


- NOTES:
- MAT'L: NYLON 6/6 (RMS-01).  
FLAME RETARDANT, NYLON (RMS-19),  
AVAILABLE BY SPECIAL ORDER.  
SPECIFIED MATERIALS COMPLY WITH STANDARD SS-00259-1.
  - COLOR: NATURAL.
  - TO ORDER P/N, REPLACE "-#" WITH "-1" OR "-3" AS STANDARD

\*PARTS AVAILABLE BY SPECIAL ORDER, & "-6" SPECIAL ORDER-NAFTA REGION ONLY  
\*\*TO ORDER "STL" STYLE REMOVE "-#" FROM P/N



PART NO.	"A"	"B" REF.	BUNDLE DIA.
*STL-120-3-01	3/16 (4.8)		
*STL-120-8-01	1/2 (12.7)		
*STL-120-12-01	3/4 (19.1)	.51 (13.07)	.07-.17 (1.8-4.3)
*STL-120-16-01	1 (25.4)		
*STL-120-20-01	1-1/4 (31.8)		
STL-#-250-3-01	3/16 (4.8)		
STL-#-250-8-01	1/2 (12.7)		
STL-#-250-12-01	3/4 (19.1)	.75 (19.1)	.20-.30 (5.1-7.6)
STL-#-250-16-01	1 (25.4)		
STL-#-250-20-01	1-1/4 (31.8)		
*STL-280-3-01	3/16 (4.8)		
*STL-280-8-01	1/2 (12.7)		
*STL-280-12-01	3/4 (19.1)	.85 (21.5)	.23-.33 (5.8-8.3)
*STL-280-16-01	1 (25.4)		
*STL-280-20-01	1-1/4 (31.8)		
STL-#-350-3-01	3/16 (4.8)		
STL-#-350-8-01	1/2 (12.7)		
STL-#-350-12-01	3/4 (19.1)	.91 (23.1)	.30-.40 (7.6-10.2)
STL-#-350-16-01	1 (25.4)		
STL-#-350-20-01	1-1/4 (31.8)		
STL-#-450-3-01	3/16 (4.8)		
STL-#-450-8-01	1/2 (12.7)		
STL-#-450-12-01	3/4 (19.1)	1.09 (27.7)	.40-.50 (10.2-12.7)
STL-#-450-16-01	1 (25.4)		
STL-#-450-20-01	1-1/4 (31.8)		
STL-#-600-3-01	3/16 (4.8)		
STL-#-600-8-01	1/2 (12.7)		
STL-#-600-12-01	3/4 (19.1)	1.28 (32.5)	.50-.60 (12.7-15.2)
STL-#-600-16-01	1 (25.4)		
STL-#-600-20-01	1-1/4 (31.8)		
STL-#-750-3-01	3/16 (4.8)		
STL-#-750-8-01	1/2 (12.7)		
STL-#-750-12-01	3/4 (19.1)	1.45 (36.8)	.70-.80 (17.8-20.3)
STL-#-750-16-01	1 (25.4)		
STL-#-750-20-01	1-1/4 (31.8)		

P	SEE CO 200035 FOR CHANGES	SK 09.26.07
O	SEE ECN #1305 FOR CHANGES	SK 03.30.07
-	SEE ENGINEERING FOR REV. A-N	-
REV	DESCRIPTION	ENGR DATE

TITLE: STAND-OFF TWIST LOK				DWG IN (mm) FINAL		PR	
TOLERANCES UNLESS NOTED .XX=±.010 .XXX=±.005 FRAC=±1/64 ANG=±1°		FILE # STL	DWN: J.B.	APP:	PART #		PRINT TYPE
RE: RICHCO INC		MAT'L: SEE NOTES	DT: 02-13-97	DT:	SEE CHART		CA
			RICHCO INC. PO BOX 804238, CHICAGO, 60680 (773) 539-4060				