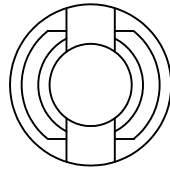
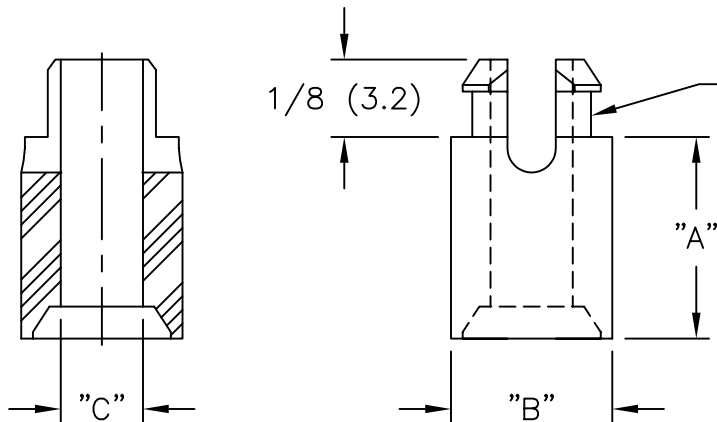


| PART NO. | | | "A"±.015 (0.4) |
|-----------------------|-------------------------|-----------------------|----------------|
| FOR #4 (M-3) SCREW | FOR #6 (M-3.5) SCREW | FOR #8 (M-4) SCREW | |
| SSRS4-2-01 | - | - | 1/8 (3.2) |
| SSRS4-3-01 | - | - | 3/16 (4.8) |
| SSRS4-4-01 | SSRS6-4-01 | SSRS8-4-01 | 1/4 (6.4) |
| SSRS4-5-01 | SSRS6-5-01 | SSRS8-5-01 | 5/16 (7.9) |
| SSRS4-6-01 | SSRS6-6-01 | SSRS8-6-01 | 3/8 (9.5) |
| SSRS4-7-01 | SSRS6-7-01 | SSRS8-7-01 | 7/16 (11.1) |
| SSRS4-8-01 | SSRS6-8-01 | SSRS8-8-01 | 1/2 (12.7) |
| SSRS4-10-01 | SSRS6-10-01 | SSRS8-10-01 | 5/8 (15.9) |
| - | SSRS6-12-01 | SSRS8-12-01 | 3/4 (19.1) |
| - | SSRS6-14-01 | SSRS8-14-01 | 7/8 (22.2) |
| - | SSRS6-16-01 | SSRS8-16-01 | 1.0 (25.4) |



| SERIES NO. | DIM. "B" | DIM. "C" | SCREW SIZE | MOUNTING HOLE DIA. ±.003(0.08) |
|------------|------------|------------|------------|--------------------------------|
| SSRS4 | .260 (6.6) | .125 (3.1) | #4 | .187 (4.75) |
| SSRS6 | 5/16 (7.9) | .153 (3.9) | #6 | .234 (5.94) |
| SSRS8 | 5/16 (7.9) | .169 (4.3) | #8 | .234 (5.94) |



TO LOCK IN A .062 (1.57)
THICK PANEL

NOTES:

- MATERIAL: NYLON 66 (RMS-01).
FLAME RETARDANT: NYLON (RMS-19),
BY SPECIAL ORDER.
- COLOR: NATURAL.

| | | | | | | |
|--|------------------|--|------|-----------|-------------------|---------------------|
| TITLE: STACKABLE, SELF RETAINING SPACER | | | | | DWG IN IN (MM) | |
| TOLERANCES UNLESS NOTED .XX=±.010 .XXX=±.005 FRAC=1/64 ANG=1° | FILE # SSRS | DWN: P.B. | APP: | FINAL | | |
| | MAT'L: SEE NOTES | DT: 03-16-94 | DT: | PART # | | |
| | RE: RICHCO, INC. | RICHCO INC. PO BOX 804238, CHICAGO, 60680 (773) 539-4060 | | SEE TABLE | | PRINT TYPE CA |

| REV | DESCRIPTION | ENGR | DATE |
|-----|------------------------------------|------|----------|
| D | CHANGED FILE NUMBER | SM | 05.10.01 |
| C | ADDED 3 NEW SIZES TO #6 & #8 SCREW | M.B. | 9.15.00 |
| B | DIM. 5/16(7.9) WAS 5/16(7.1) | J.L. | 4/22/99 |
| A | MAT'L RMS-19 ADDED | J.L. | 12.10.97 |