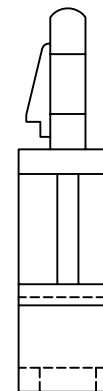
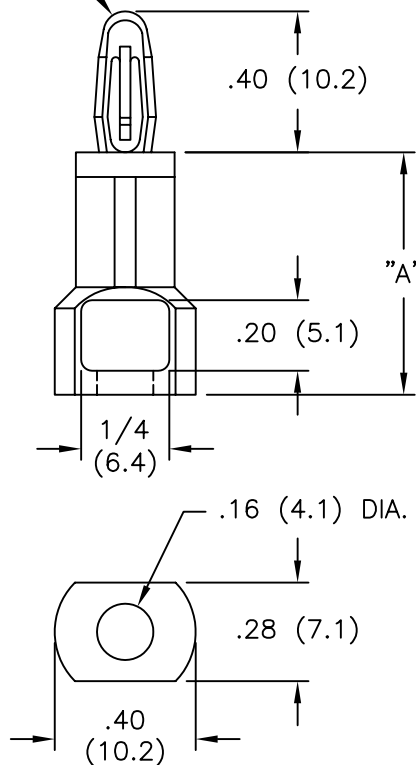


TO SNAP-LOCK IN A $.156 \pm .003$
 (4.0 ± 0.08) DIA. HOLE, IN A
 $.062$ (1.6) THICK PANEL/BOARD



PART NO.	"A"
SRLCBS-6-01	3/8 (9.5)
SRLCBS-7-01	7/16 (11.1)
SRLCBS-8-01	1/2 (12.7)
SRLCBS-10-01	5/8 (15.9)
SRLCBS-12-01	3/4 (19.1)
SRLCBS-14-01	7/8 (22.2)
SRLCBS-16-01	1 (25.4)

USE RICHCORIVET NO.	FOR CHASSIS THICKNESS
SR-4050	.026-.062 (0.7-1.6)
SR-4060	.062-.105 (1.5-2.7)
SR-4070	.105-.145 (2.7-3.7)
SR-4080	.145-.184 (3.7-4.7)
SR-4090	.184-.223 (4.7-5.7)
SR-4100	.223-.263 (5.7-6.7)
SR-4120	.282-.341 (7.2-8.7)

NOTES:

1. MATERIAL: NYLON 6/6 (RMS-01).
 FLAME RETARDANT NYLON (RMS-19),
 AVAILABLE BY SPECIAL ORDER ONLY.
2. COLOR: NATURAL.
3. $.157$ TO $.161$ (4.0 TO 4.1) DIA.
 HOLE IN CHASSIS REQUIRED FOR
 APPLICATION

REV	DESCRIPTION	ENGR	DATE
D	SEE ECN #1253 FOR CHANGES	SK	11.29.06
C	SEE ECN #1002 FOR CHANGES	SK	05.11.05
B	UPDATED NOTES AND CHANGED FILE NO.	SM	08.20.02
A	CONVERTED TO ACAD	PB	05.03.94

TITLE: SNAP RIVET LOCKING CIRCUIT BOARD SUPPORT				DWG IN IN (MM)		FINAL	
TOLERANCES UNLESS NOTED .XX=±.010 .XXX=±.005 FRAC=±1/64 ANG=±1°		FILE # SRLCBS	DWN: P.B.	APP:	PART #		PRINT TYPE
		MAT'L: SEE NOTES	DT: 05-03-94	DT:	SEE TABLE		CA
		RE: RICHCO, INC.	RICHCO INC. PO BOX 804238, CHICAGO, 60680 (773) 539-4060				