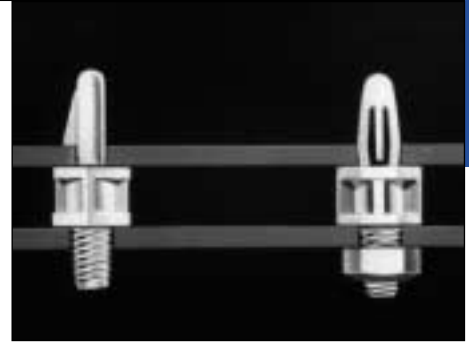
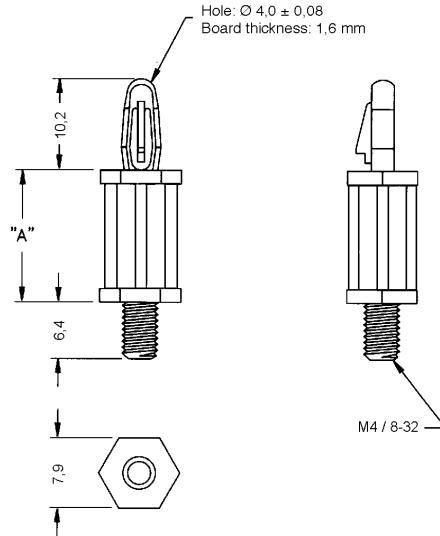


CIRCUIT BOARD HARDWARE

A

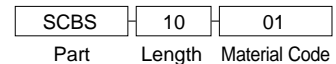
Part No.	"A" mm
UNC 8-32 Thread	
SCBS-4-01	6.4
SCBS-6-01	9.5
SCBS-8-01	12.7
SCBS-10-01	15.9
SCBS-12-01	19.1
SCBS-14-01	22.2
SCBS-16-01	25.4
SCBS-18-01	28.6
SCBS-22.5-01	35.7
M-4 Thread	
MSCBS-4-01	6.4
MSCBS-6-01	9.5
MSCBS-8-01	12.7
MSCBS-10-01	15.9
MSCBS-12-01	19.1
MSCBS-14-01	22.2
MSCBS-16-01	25.4
MSCBS-18-01	28.6
MSCBS-22.5-01	35.7



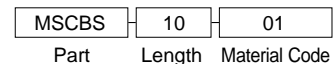
SCBS/MSCBS

STUDED CIRCUIT BOARD SUPPORT

Note:



Note:



Material: Nylon 6/6 - natural; UL 94 V-2, RMS-01
 or
 Nylon 6/6 - natural; UL 94 V-0, RMS-19
 Std. Pk.: 1.000 pcs.