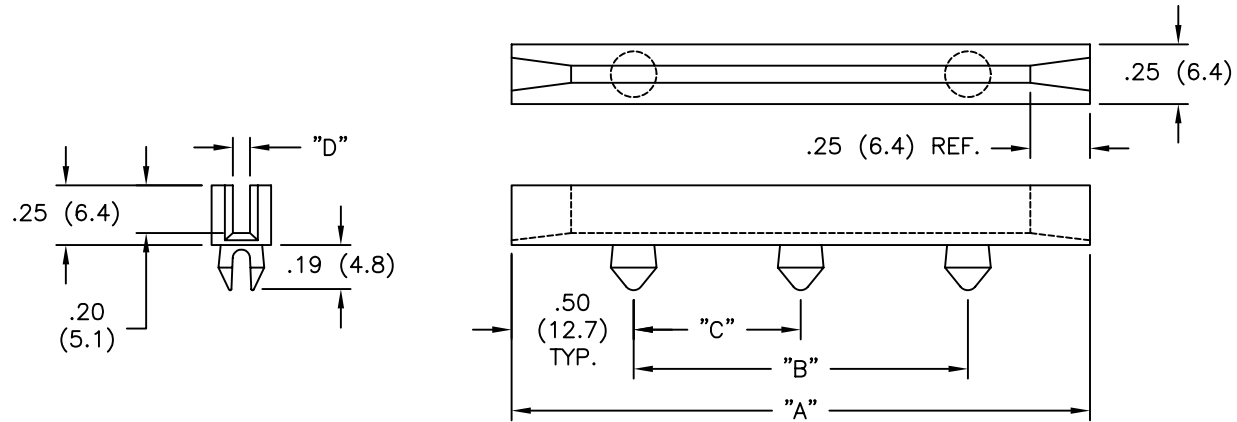
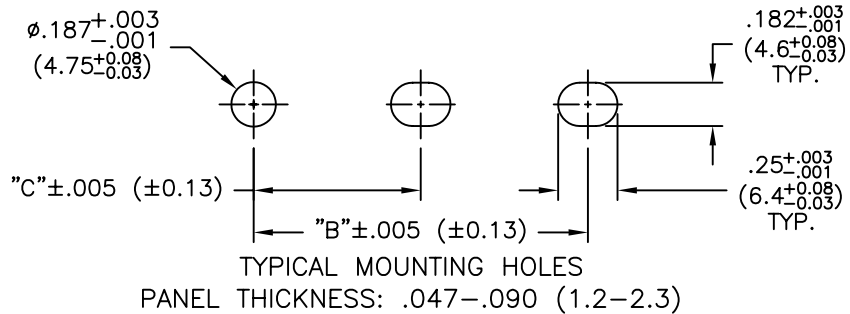


PART NO.	"A" REF.	"B"±.025 (±0.63)	"C"±.015 (±0.38)	NOMINAL BD. THKS.	"D"±.005 (±0.13)
RDC-250	2.50 (63.5)	1.50 (38.1)	-	1/16 (1.6)	.080 (2.0)
RDC-450	4.50 (114.3)	3.50 (88.9)	-		
RDC-600	6.00 (152.4)	5.00 (127.0)	-		
RDC-800	8.00 (203.2)	7.00 (177.8)	3.50 (88.9)	3/32 (2.4)	.102 (2.6)
RDC-450-102	4.50 (114.3)	3.50 (88.9)	-		
RDC-600-102	6.00 (152.4)	5.00 (127.0)	-		
RDC-800-102	8.00 (203.2)	7.00 (177.8)	3.50 (88.9)	1/8 (3.2)	.132 (3.4)
RDC-450-130	4.50 (114.3)	3.50 (88.9)	-		
RDC-600-130	6.00 (152.4)	5.00 (127.0)	-		
RDC-800-130	8.00 (203.2)	7.00 (177.8)	3.50 (88.9)		



NOTES:

1. MATERIAL: GLASS-FILLED NYLON (RMS-66).
2. COLOR: BLACK.
3. SLOTTING OR ELONGATING OF 2ND AND 3RD MOUNTING HOLE IS RECOMMENDED TO ALLOW FOR LENGTH VARIATIONS IN MOLDING AND ASSEMBLY EASE.



H	SEE ECN #1073 FOR CHANGES	SK 10.11.05
G	SEE ECN #839 FOR CHANGES	SM 08.24.04
F	CHANGED FILE NUMBER AND UPDATED PRINT	SM 01.31.02
E	-130 SERIES ADDED	PB 050994
D	MOUNTING INSTRUCTIONS MODIFIED	PB 042994
C	DIM .05(1.3) ADDED MOUNTING INSTRUCTIONS MODIFIED, CHANGED TABLE	RS 021694
B	NEW P/N'S ADDED	RS 012494
A	METRIC DIMS., TOL. CORRECTED	RS 081892
REV	DESCRIPTION	ENGR DATE

TITLE: DEEP CHANNEL CARD GUIDE (RDC)				DWG IN IN(mm)	FINAL
TOLERANCES UNLESS NOTED .XX=±.010 .XXX=±.005 FRAC=1/64 ANG=1°	FILE # RDC	DWN: J.B.	APP:	PART # SEE TABLE	PRINT TYPE CA
	MAT'L: SEE NOTES	DT: 04-08-97	DT:		
	RE: RICHCO, INC.	RICHCO INC. PO BOX 804238, CHICAGO, 60680 (773) 539-4060			