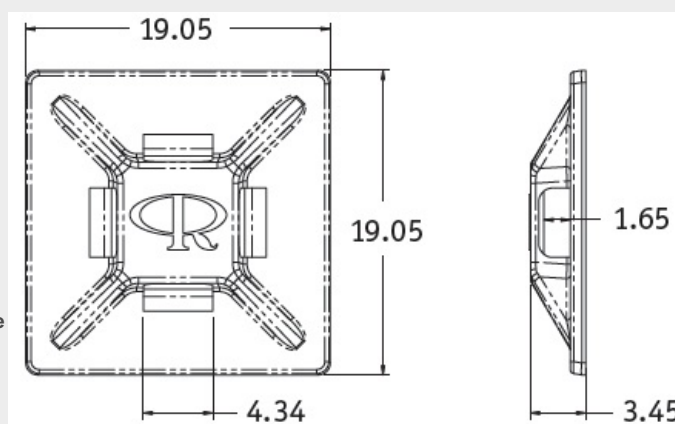
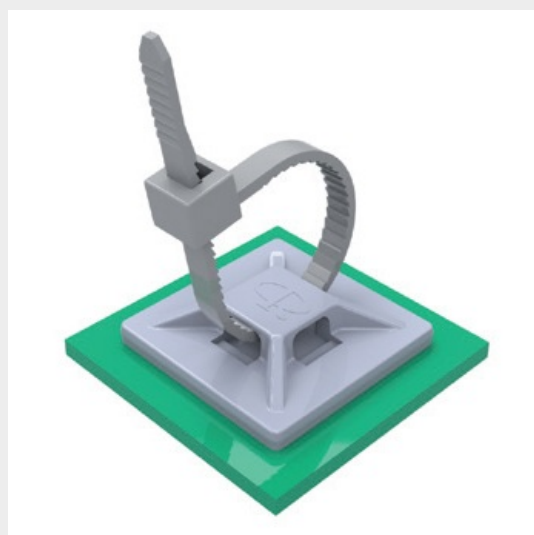


**Cable Ties and Cable Management Low Profile Cable Tie Holder**



- Stand-Off Harness Clip on Adhesive
- High Temperature Cable Ties
- Standoff Micro Wire Saddle - SMWS
- Hook & Loop Ties
- Pico Wire Saddle
- Wire Saddle, Locking Top
- Edge Holding Wire Saddle
- Push-In Twist Ties
- Wire Saddle, Side Entry - WS-SE2
- Aluminium Clamp /Aluminium Clamp with Vinyl Coating
- Stainless Steel Cable Ties
- Coloured Cable Ties
- Hinged Cable Saddle
- Flat Cable Wire Saddle
- Side Entry Wire Saddle on Adhesive Base
- Cupped Based Cable Tie Holder - FTH-33
- Wide Wire Saddle
- Stainless Steel Ladder Ties
- Tape on Cable Holder
- Wire Cord Klip
- Single Wire Clip on Adhesive Base
- Screw Mount Cable Tie Holder - FTH-28
- Flat Cable Clamp with Adhesive Base - TFCM
- Double-Locking Cable Ties
- Cable Clamp - N
- Flat Cable Clamp with Tension on Adhesive Base
- Micro Wire Saddle on Adhesive Base - MWSB
- Screw Mount Cable Tie Holder - FTH-11
- Screw Mount Cable Tie Holder - FTH-24
- Cupped Based Cable Tie Holder - FTH-36/FTH-37
- Flame Retardant Cable Ties
- Flat Cable Clamps - RDAFCO
- Screw/Rivet Mount Kwik Wrap
- Aluminum Clamp on Adhesive Base - ASK
- Adjustable Kwik Klip
- Cable Tie Holder - FTH-9
- DL Style Clamp on Adhesive Base
- Stainless Steel Cable Tie Installation Tool
- Twist Lock on Flexible Adhesive Base
- Adhesive Ribbon Cable Clip
- Push Mount Ties - WIT-RA/WIT-SA
- Flat Cable Clamp - CFCCA
- Flat Cable Loop Clamp
- Aluminum Clamp on Adhesive Base - RAK
- Adjustable Steel Clamp with Vinyl Coating
- Cable Tie Holder with Swivel
- R Style Clamp on Adhesive Base
- Wire Saddle, Side Entry - WS-SE-A
- Split Flat Cable Clamp
- Adhesive Twist Ties
- Cable Clamp Arrowhead Mounted
- Screw Mount U Clamp
- D Style Clamp on Adhesive Base
- Standoff Cable Clamps
- Coated Stainless Steel Cable Ties
- Tension Clamp
- Blind Hole Cable Tie Holder
- Cable Tie Marker Tag
- Kurly Lock on Adhesive Base
- Cupped Cable Ties
- Heavy-Duty Cable Ties
- Wire Harness Clamp - EXWHC
- Marker Ties
- Tie On Push Mount Cable Ties
- Round Wire Saddle
- Blind Hole Mount Cable Ties

FTH-40  
White ABS, RMS-02



	Part No.	Max Cable Tie Width Accepted (mm)	Adhesive	Price	3D	Sample	Buy
	<a href="#">FTH-40</a>	4.1	None	<a href="#">Price</a>	<a href="#">3D</a>	<a href="#">Sample</a>	<a href="#">Buy</a>
	<a href="#">FTH-40A-RT</a>	4.1	Acrylic, RMS-15	<a href="#">Price</a>	<a href="#">3D</a>	<a href="#">Sample</a>	<a href="#">Buy</a>
	<a href="#">FTH-40A1-RT</a>	4.1	Rubber, RMS-102	<a href="#">Price</a>	<a href="#">3D</a>	<a href="#">Sample</a>	<a href="#">Buy</a>

Metal Detectable Cable Ties  
Belt Ties  
Releasable Ties  
Flat Tie Holder for Kwik Wrap  
Bundle Clips  
Push Mount Cable Tie Holder - FTH-6  
Heavy Duty Cable Tie Holder  
Micro Wire Saddle, Locking Top  
L Style Locking Clamp on Adhesive Base  
Wire Saddle with Blind Hole Mount  
UV-Resistant Cable Ties  
Screw Mount Cable Tie Holder - FTH-1  
C Style Clamp on Adhesive Base  
Stud Mount Clamp  
Kurly Lock  
Two-Piece Locking Clamp  
Micro Wire Saddle Locking Top on Base  
Flat Cable Clamp with Adhesive Base - FCC  
Wire Saddle on Adhesive Base - WWSB  
Screw Mount Cable Tie Holder - FTH-34/FTH-35  
Releasable Push Mount Ties - WIT-30RARWIT-30LAR  
Universal Mounting Block  
Micro Wire Saddle - MWSET  
Aluminium Flat Cable Clamp with Adhesive Base  
Heat Stabilized Cable Ties  
Wire Saddle, Locking Top Quarter-Turn Base  
Stand-Off Twist Lock UL94 V0  
Stand-Off Harness Clip (Metric)  
Hinged Twist Lock  
Cable Tie Kits  
Push Mount Cable Tie Holder - FTH-30  
Stand-Off Locking Clip  
Cable Clips  
Locking Beaded Tie  
Kwik Wrap on Base Hook & Loop  
Self-Adhesive Cable Clips  
Wire Saddle with Releasable Arrowhead  
Cable Tie Holder  
Locking Wire Saddle  
Slide Entry Cable Clamp  
Push Mount Ties - SR1769  
Wire Saddle on Adhesive Base - WSB-2  
Kurly Lock on Adhesive Base with Stand-Off  
Rivet Mount Cable Tie  
Hinged Cable Clamp - Self Mounting  
Locking Wire Saddle, Arrowhead Mount  
Plastic Coated Aluminum Clamp, Foam Coated, Adhesive Base  
Micro Cable Clamp  
Push Mount Cable Tie Holder - FTH-22  
Push-In Cable Clamps  
Blind Hole Kurly Lock  
Kwik Wrap on Adhesive Hook & Loop  
Twist Lock, Type "J"  
Mini J Style Clamp on Adhesive Base  
Split Routing Clip  
Standoff Cable Clip Side Entry - SCC-SE  
Snap In Flat Cable Clamp  
Micro Blind Hole Mount Wire Saddle  
Low Profile Cable Tie Holder  
Routing Clips Blind Hole Mount  
Cable Management Strap  
Standard Cable Ties  
Adjustable Cable Clamps  
Screw Mount Twist Locks  
Twist Lock  
Cable Tie Guns  
Hinged Twist Lock with Stand-Off  
Adhesive Cable Clamp  
Wire Saddle, Quarter Turn  
Screw Mount Ties  
Wire Saddle  
Wire Saddle, Side Entry - WS-SE1  
Side Entry Kurly Lock  
Push Mount Ties - WIT-18RA  
Wire Saddle, Side Entry - WS-SE3  
Beaded Hanking Tie  
Micro Wire Saddle - MWS  
Cable Clamp with Adhesive Base, Silicone Fram

Edge Mount Cable Tie Holder - FTH-10/MFTH

in Center

Cord Clip on Base

Push Mount Ties - WIT-30RRA

Kwik Wrap D Style Hook & Loop

Wire Saddle - Side Entry

Cable Tie Holder on Adhesive Base

Push Mount Cable Tie Holder - FTH-3

Adhesive/Screw Mount Tie

Cable Ties with Stainless Steel Tooth

Kwik Wrap on a Roll Hook & Loop

Stand-Off Harness Clip

Screw Mount Cable Tie Holder - SR1719

Flat Cable Clamps - FCRC

Flat Cable Clamp Arrowhead Mounted

Flat Cable Clamp on Adhesive Base

Beaded Tie

Wire Saddle- Snap Rivet Mount

Push Mount Cable Tie Holder - SR1720

Standard Cleats

Nylon Strap and Locking Button

Adhesive Tie Mounts

Stand-Off Twist Lock

Elastomer Strap

Round Wire Saddle on Base

Steel Clamp with Vinyl Coating, Adhesive Base

Wire Saddle, Arrowhead Mount

Stand-Off Micro Wire Saddle - MWSELF

Edge Mount Cable Tie Holder

45° Kurly Lock

Side Mount Wire Saddle

Plug In Routing Clips

Universal Cable Grip

Plug In Locking Clip

Webbing Centre Clip

Blind Hole Twist-Lock

Arrowhead Mounted Flat Cable Clamp with Tension

Wire Saddle Locking Top Teardrop

Push Mount Cable Tie Holder - FTH-41

Push-In Wire Saddles

F Style Clamp on Adhesive Base

Adhesive/Screw Fixing Cable Clamps

Push Mount Cable Tie Holder - FTH-3A

U-Clip with Adhesive Base

U Style Clamp on Adhesive Base

Cable Clamp - N-2B to N-18B

Half U-Clip with Adhesive Base

Adjustable Nylon Cable Clamp

Release Tab Wrap-It Tie

Plug In Adjustable Clip

Side Entry Micro Wire Saddle on Adhesive Base

Universal Mounting Strap

Screw Mount Cable Tie Holder - FTH-13/FTH-14

Wire Harness Clamp - WHC

Webbed Adjustable Clip

Screw Mount Cable Tie Holder - FTH-17

Coated Steel Ladder Ties

Cable Tie Holder - FTH-5/FTH-7/FTH-8/ FTH-10/MFTH

Dual Cable and Pipe Clip

Push Mount Ties - WIT-50RLA

Beaded Wire Tie

Wire Saddle Locking Top on Base

Flat Cable Loop Clip

Micro Wire Saddle - MWSEA

Split Flat Cable Clamp on Adhesive Base

Standoff Cable Clip Side Entry - SCCBH-SE

Cable Clamp on Adhesive Base

Low Profile Cable Ties

Hanking Tie

Adhesive Wire Saddles

Releasable Push Mount Ties - WIT-40LAR

Plug in Cable Hanger

Dual Flat Cable Clamp with Adhesive Base

Double-loop Cable Ties

Cupped Base Cable Tie Holder

Stand-Off Lock Clip

Snap-It Hose Clamp

Micro Wire Saddle on Adhesive Base - MWSEB

Blind Hole Mounted Clip

Metal Edge Cable Tie Mounting Clips  
Bead Lanyard Hank Tie Base  
Extruded Metal Rail Cable Clips  
DIN Rail Mounting Cable Clip



Subscribe to our newsletter

Subscribe



Request your free catalogue!

Request

tel: 0845 758 5070 fax: 0845 609 0049 email: [sales@essentracomponents.co.uk](mailto:sales@essentracomponents.co.uk)

© Essentra 2014 - This website is subject to our [Terms of Use & Privacy Policy](#)  
[Locations](#) | [Conditions of Sale](#) | [Health & Safety](#) | [Company Values](#) | [Quality](#) | [Environmental Policy](#) | [Cookie Policy](#)