

- MENU**
- [HOME](#)
- [CATALOG](#)
- [COMPANY INFO](#)
- [TECHNICAL DATA](#)
- [CAPABILITIES](#)
- [CONTACT US](#)
- [DISTRIBUTORS](#)
- [CUSTOM MOLDING](#)
- [CUSTOMERS](#)

## Browse Search Results for '16FWRT004032'

[Search](#)  
[Need Help?](#)

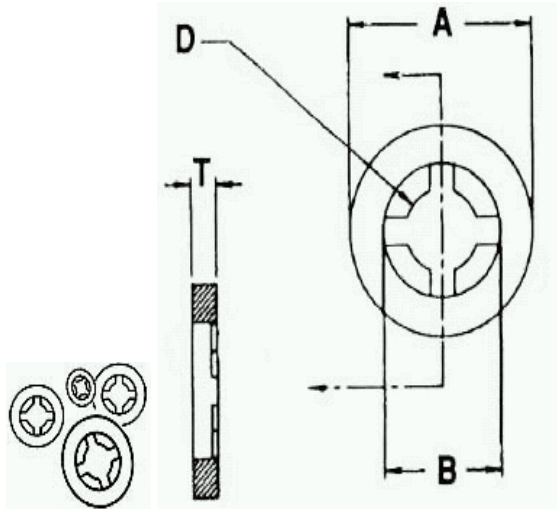
Select Product Family Washers, Shoulder Washers, Screw Insulators, and Spacers



Select Product Category Nylon Retaining Washers

### View Item Detail - 1 Items Found

#### Nylon Retaining Washers



Similar to our standard flat washers, but with a specially configured I.D. designed to grip the outside of the screw shank. The washer slides on the screw easily, but is retained on the screw. For use in applications requiring pre-assembly of the screw and washer, to reduce final assembly cost. Other sizes will be tooled on request.

[Filter List](#)   [Advanced Sort](#)   [Display Options](#)

Item Number	Description	Package Qty	A	B	D	T
16FWRT004032	FWRT 4-032	1000	0.265 (+/- 0.015)	0.156 (+/- 0.005)	0.102 (+/- 0.005)	0.032 (+/- 0.005)

Show Dimension Tolerances

[HOME](#) : [CATALOG](#) : [FULL CATALOG](#)

