



MENU

HOME

CATALOG

COMPANY INFO

TECHNICAL DATA

CAPABILITIES

CONTACT US

DISTRIBUTORS

CUSTOM MOLDING

CUSTOMERS

Browse Search Results for '0700440LN'

Search Need Help?

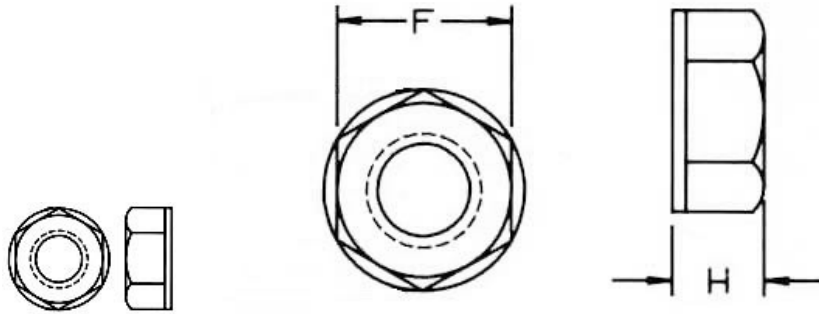
Select Product Family Nuts



Select Product Category Nylon Lock Nuts

View Item Detail - 1 Items Found

Nylon Lock Nuts



Stocked in Nylon 6/6 UL 94V2 - Can be Furnished in: Acetal

Designed for use with steel screws.

Filter List Advanced Sort Display Options

Display Options

Number of Items to Display: 10 Navigate Pages With: Page Numbers

Filter List

Item Number [] [Apply] [Clear]

Advanced Sort

Item Number [] [Ascending] [Add] [Up] [Down] [Remove]

Item Number	Description	Package Qty	F	H
0700440LN	440 LOCK NUT M01 .250 A/F X .180 HT Pre-Packaged @ 1,000pcs/T-bag	1000	0.250 (+/- 0.010)	0.180 (+/- 0.010)

Show Dimension Tolerances

All tolerances +/- .010

HOME : CATALOG : FULL CATALOG

