

MATERIAL: NYLON 6/6 UL 94 V-2 (RMS-01). COLOR: NATURAL. PART NO.	MATERIAL: NYLON 6/6 UL 94 V-2 (RMS-01). COLOR: BLACK. PART NO.	DIM. "E" REF.	"D" HOLDING DIAMETER FOR:			FIGURE NO.
			INSIDE HOLE	CENTER HOLE	OUTSIDE HOLE	
N-20B	N-20B-BK	29/32 [23]	1 [25.4]	1-1/8 [28.6]	1.2 [30.2]	1
N-24B	N-24B-BK	1-1/32 [26.2]	1-1/4 [31.8]	1-3/8 [34.9]	1-15/32 [37.3]	
N-32B	N-32B-BK	1-29/64 [36.9]	1-3/4 [44.5]	1-7/8 [47.6]	2 [50.8]	

FIG 1.

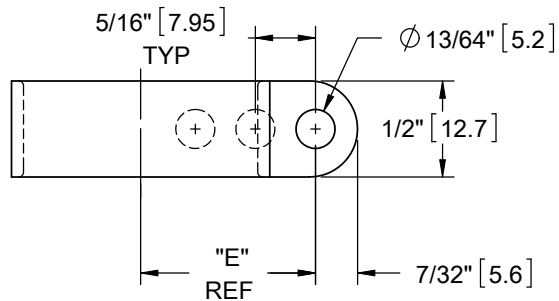
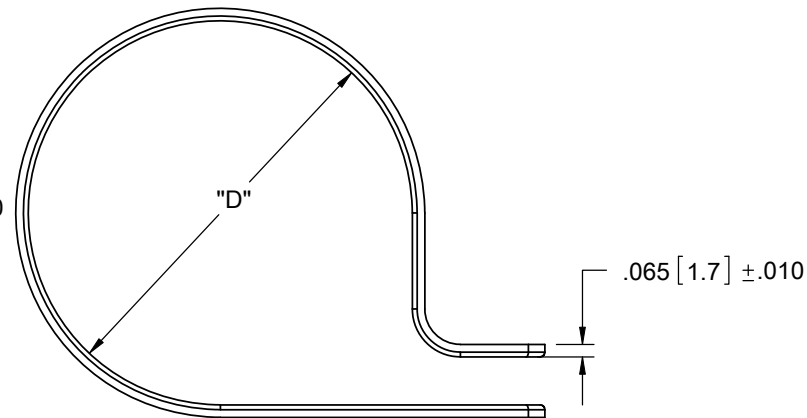
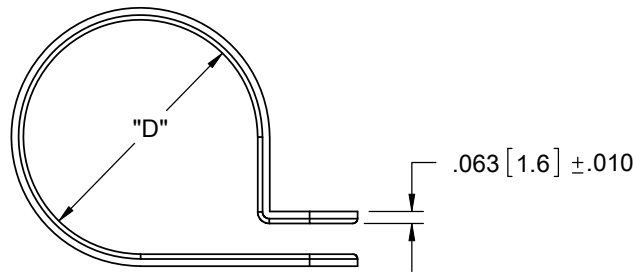
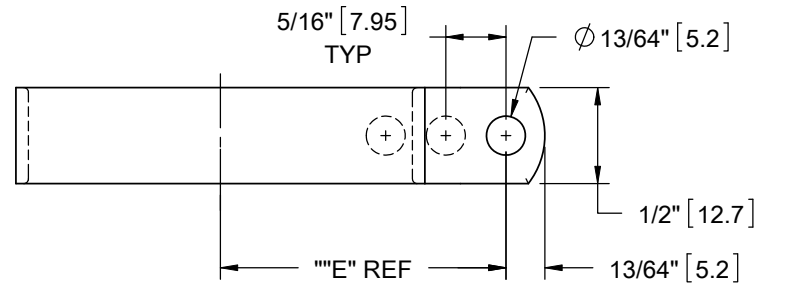


FIG 2.



NOTES:

1. MATERIAL: NYLON 6/6 UL 94 V-0 (RMS-19),
COLOR: NATURAL OR BLACK
AVAILABLE BY SPECIAL ORDER ONLY.
2. NYLON 4/6 UL 94 V-2 (RMS-109), COLOR NATURAL OR BLACK,
AVAILABLE BY SPECIAL ORDER. TO ORDER
ADD "-109" TO PART NO.

TITLE: CABLE CLAMPS, NB SERIES-3 HOLES						DWG IN IN [MM]	
CREATED USING SOLIDWORKS	FILE #: NB-3	DWN: SK	APP: R.T.	FINAL			
TOLERANCES UNLESS NOTED .XX=±.010 .XXX=±.005 FRAC.=±1/64 ANG.=±1°	SHEET: 1 OF 1	SHEET SIZE: A	DT: 10/20/08	CHKD: D.Z.	PART #		PRINT TYPE
RE: RICHCO, INC.		RICHCO, INC. ENG@RICHCO-INC.COM (773) 539-4060		SEE TABLE		CA	

REV.	DESCRIPTION	ENGR.	DATE
G	SEE ECN #200453 FOR CHANGES	SJ	10/20/09
F	SEE ECN #200264 FOR CHANGES	SK	10/20/08
-	SEE ENGINEERING FOR REV A-F	-	----