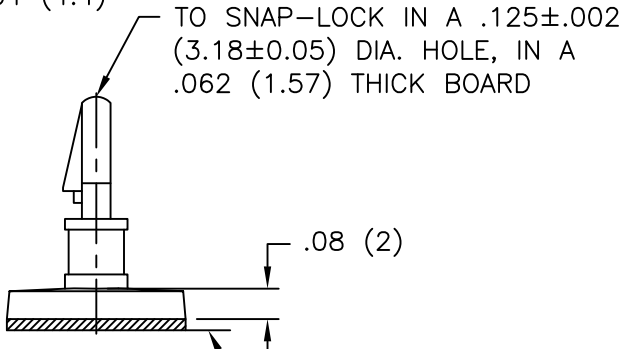
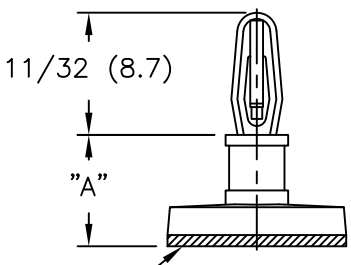
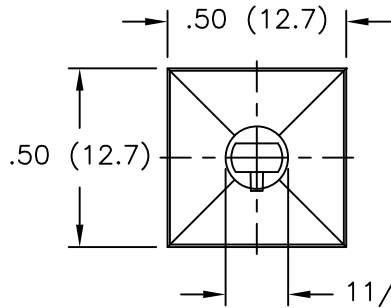


PART NO.	"A"±.015 (±0.4)
LCBSBM-3-01A-RT	3/16 (4.8)
LCBSBM-4-01A-RT	1/4 (6.4)
LCBSBM-5-01A-RT	5/16 (7.9)
LCBSBM-6-01A-RT	3/8 (9.5)
LCBSBM-7-01A-RT	7/16 (11.1)
LCBSBM-8-01A-RT	1/2 (12.7)
LCBSBM-9-01A-RT	9/16 (14.3)
LCBSBM-10-01A-RT	5/8 (15.9)



1/32 (0.8) THICK, DOUBLE SIDED ADHESIVE TAPE

TYPICAL RELEASE TAB LOCATION

NOTES:

- MATERIAL: NYLON 6/6 (RMS-01). FLAME RETARDANT NYLON (RMS-19), AVAILABLE BY SPECIAL ORDER ONLY.
- COLOR: NATURAL.
- ACRYLIC ADHESIVE TAPE (RMS-15), WHITE LINER.

RUBBER ADHESIVE TAPE (RMS-102), BLUE LINER. AVAILABLE BY SPECIAL ORDER ONLY.
TO ORDER REPLACE SUFFIX "A-RT" WITH "A1-RT" ON P/N.

PART ALSO AVAILABLE WITHOUT TAPE BY SPECIAL ORDER. TO ORDER, REMOVE "A-RT" FROM P/N.
FOR NEW DIM. "A" SUBSTRACT 1/32" (0.8)
- PART AVAILABLE WITH NON-LOCKING BAYONET NOSE BY SPECIAL ORDER. TO ORDER, USE PART NO. "CBSBM-X-XXX-XX"

F	SEE CO 200705 FOR CHANGES	SK 09.07.11
E	ADDED NON-LOCKING TOP OPTION (NOTE 4), ECN #631	SM 05.20.03
D	ADDED RUBBER ADHESIVE BY SPECIAL ORDER (ECN #466)	SM 09.18.02
C	UPDATED PRINT AND CHANGED FILE NO	SM 04.30.01
B	MAT'L RMS-19 ADDED	J.L. 12.29.97
A	CONVERTED TO ACAD	P.B. 05.23.95
REV	DESCRIPTION	ENGR DATE

TITLE: LOCKING CKT. BD. SUPPORT ON BASE, MINI

DWG IN IN (MM)

TOLERANCES UNLESS NOTED .XX=±.010 .XXX=±.005 FRAC=±1/64 ANG=±1'	FILE # LCBSBM	DWN: P.B.	APP:	FINAL	
	MAT'L: SEE NOTES	DT: 05-23-95	DT:	PART #	PRINT TYPE
	RE: RICHCO, INC.	RICHCO INC. PO BOX 804238, CHICAGO, 60680 (773) 539-4060		SEE TABLE	CA