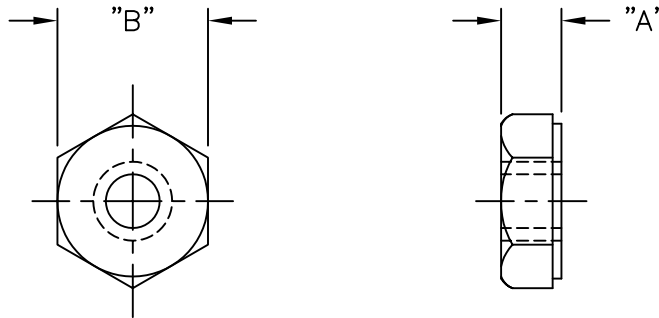


PART NO.	MATERIAL	"A"	"B"	THREAD
*HN#4-40-01	NYLON 6/6 (RMS-01)	.093 (2.3)	.245 (6.2)	#4-40
HN#6-32-01	NYLON 6/6 (RMS-01)	.110 (2.8)	.305 (7.7)	#6-32
HN#8-32-01	NYLON 6/6 (RMS-01)	.125 (3.2)	.338 (8.6)	#8-32
HN-M3-79	POLYCARBONATE (RMS-79)	.10 (2.5)	.22 (5.5)	M3
HN-M4-01	NYLON 6/6 (RMS-01)	.12 (3.0)	.27 (6.9)	M4
HN-M4-79	POLYCARBONATE (RMS-79)	.13 (3.3)	.31 (8.0)	M4
HN-M6-01	NYLON 6/6 (RMS-01)	.21 (5.4)	.39 (9.9)	M6

* PART DOES NOT CARRY THE WASHER FACE



TITLE: HEX NUT			DWG IN IN (MM)			
TOLERANCES UNLESS NOTED .XX=±.010 .XXX=±.005 FRAC=±1/64 ANG=±1°			FILE # HN MAT'L: SEE TABLE RE: RICHCO, INC.		DWN: PB/JB DT: 12-14-95 APP: RICHCO INC. PO BOX 804238, CHICAGO, 60680 (773) 539-4060	
PART # SEE TABLE			PRINT TYPE CA			
B	SEE ECN #982 FOR CHANGES	SK 04.19.05				
A	CHANGED FILE NO.	SM 06.13.02				
REV	DESCRIPTION	ENGR DATE				