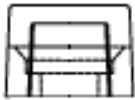


See "Part Drawing" for Details

FTH-13S



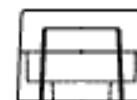
ACCOMODATES
WIT-18 THRU
WIT-60 TIES



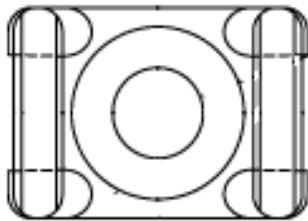
FTH-13R



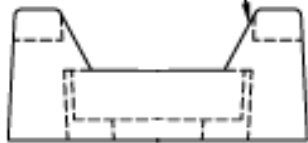
ACCOMODATES
WIT-18 THRU
WIT-60 TIES



FTH-14



ACCEPTS
WIT-18 THRU
WIT-120 WIRE TIES



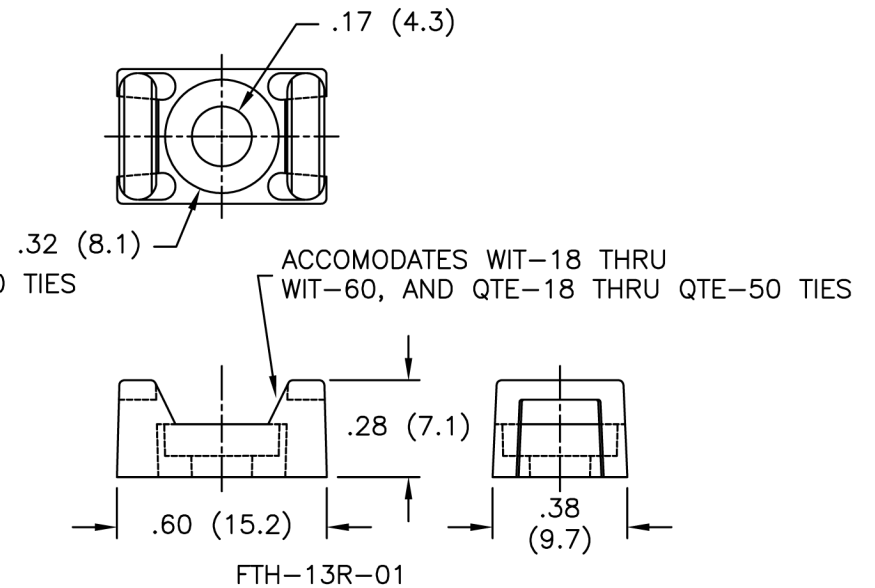
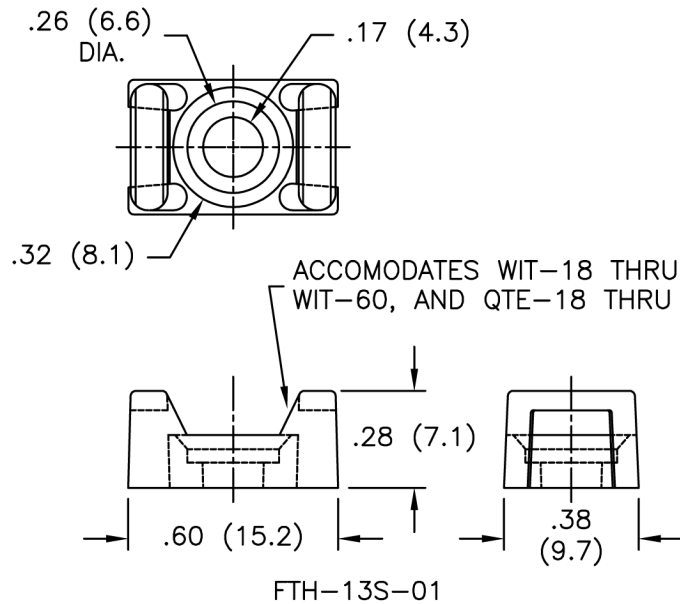
Part Number

Description

[FTH-13R-01-C](#)

Cbl Tie Hldr,Rivet Mnt,Natural





NOTES:

1. MATERIAL: NYLON 6/6 (RMS-01),
COLOR NATURAL.
2. FLAME RETARDANT NYLON (RMS-19).
COLOR NATURAL.
AVAILABLE BY SPECIAL ORDER ONLY;
TO ORDER USE P/N FTH-13R-19 OR FTH-13S-19.
3. UV STABILIZED NYLON 6/6 (RMS-46),
COLOR BLACK.
AVAILABLE BY SPECIAL ORDER ONLY;
TO ORDER USE P/N FTH-13R-UVB OR FTH-13S-UVB.
4. MOUNTING SCREW FOR FTH-13R: NO. 8 (M4) PAN HEAD,
MOUNTING SCREW FOR FTH-13S: NO. 8 (M4) FLAT HEAD OR
NO. 6 (M3.5) FLAT, ROUND, OR PAN HEAD.

MOUNTING RIVETS FOR - FTH-13R		
USE RIVET NO.	HOLE DIA.	FOR PANEL THICKNESS RANGE
SR-4050	.161 (4.1)	.018-.058 (0.5-1.5)
SR-4060		.058-.097 (1.5-2.5)
SR-4070		.097-.137 (2.5-3.5)
SR-4080		.137-.176 (3.5-4.5)
SR-4100		.215-.255 (5.5-6.5)

TITLE: FLAT TIE HOLDER			DWG IN IN (MM) FINAL				
D	SEE ECN #1124 FOR CHANGES	SK 01.24.06	FILE # FTH-13X	DWN: E.P.	APP:	PART # FTH-13 SERIES	PRINT TYPE CA
C	UPDATED PRINT AND CHANGED FILE NO.	SM 05.20.02	MAT'L: SEE NOTES	DT: 12-30-98	DT:		
B	REDRAWN TO INCLUDE FTH-13S-01 DWG.	RG11/02/00	RE: RICHCO, INC.	RICHCO INC.			
A	FR NYLON 66 (RMS-19) ADDED	JL 01.06.00					
REV	DESCRIPTION	ENGR DATE					

TOLERANCES UNLESS NOTED
 .XX=±.010
 .XXX=±.005
 FRAC=±1/64
 ANG=±1°