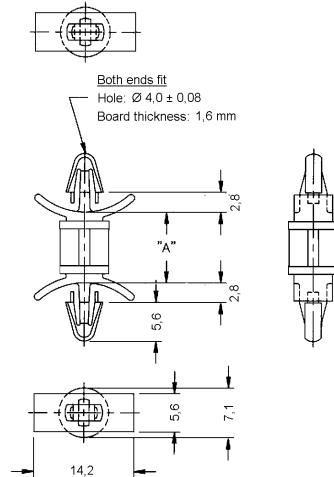


Part No.	"A" mm
DLCBS-3-01	4.8
DLCBS-4-01	6.4
DLCBS-6-01	9.5
DLCBS-8-01	12.7
DLCBS-10-01	15.9
DLCBS-12-01	19.1
DLCBS-14-01	22.2



DLCBS

DUAL LOCKING CIRCUIT BOARD SUPPORT

Material: Nylon 6/6 - natural; UL 94 V-2, RMS-01
 or
 Nylon 6/6 - natural; UL 94 V-0, RMS-19
 Std. Pk.: 1.000 pcs.

Note:

