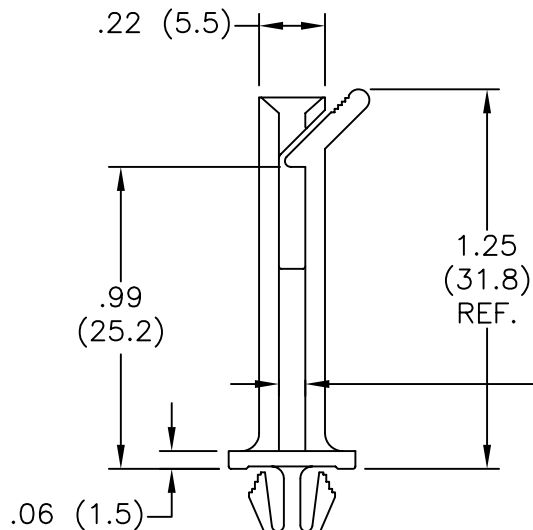
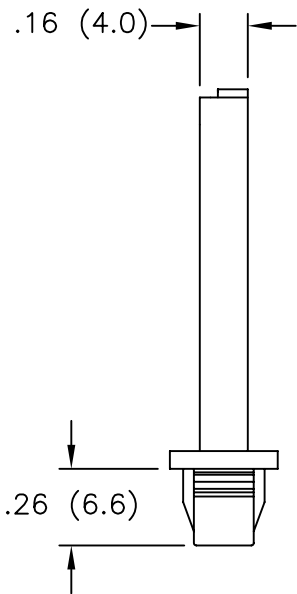
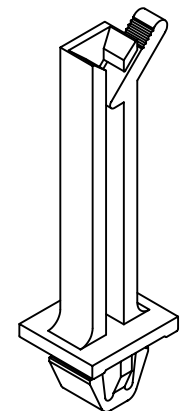
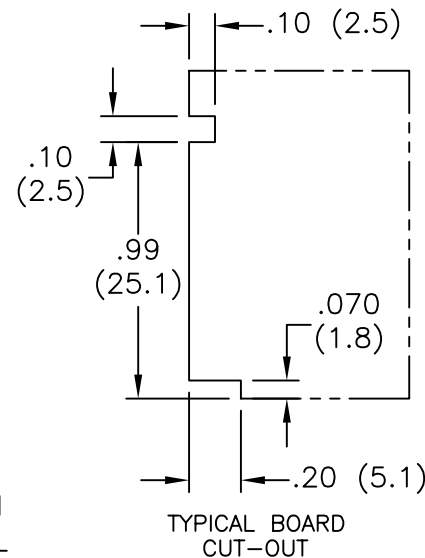


MOUNTING HOLE DIMENSIONS ±.003 (±0.08)



ACCOMODATES
A 1/16 (1.6)
NOMINAL THICK
BOARD

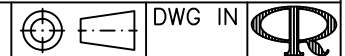
TO FIT IN A .047 TO .071
(1.2 TO 1.8) THICK PANEL



NOTES:

1. MAT'L: NYLON 66 (RMS-01), NAT.
2. FLAME RETARDANT NYLON (RMS-19), AVAILABLE BY SPECIAL ORDER

TITLE: VERTICAL MOUNT CARD GUIDE-LATCHED (UK)



TOLERANCES UNLESS NOTED .XX=±.010 .XXX=±.005 FRAC=±1/64 ANG		FILE # VMCGLE	DWN:	APP:	PART # VMCGLE-31M-01	PRINT TYPE CA
MAT'L: SEE NOTES		RE: RICHCO, INC.	DT:	DT:		
B TYPICAL BOARD CUT-OUT ADDED PB 110394		RICHCO INC.		PO BOX 804238, CHICAGO, 60680		
A P/N VMCGLE-31M-01 WAS VMCGLE PB 100394		(773) 539-4060				
REV DESCRIPTION ENGR DATE						