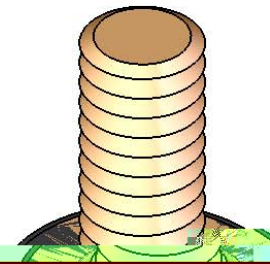
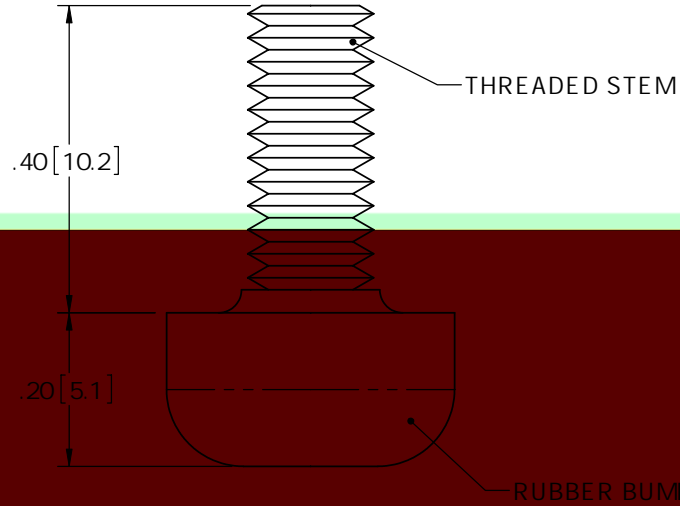
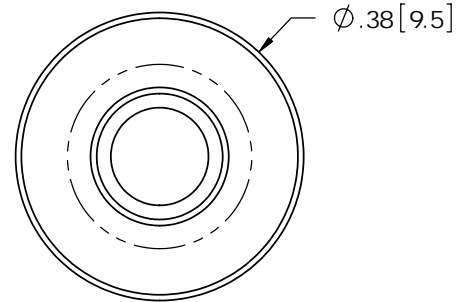


PART NO.	THREAD TYPE
TB-1	#6-32
TB-2	#8-32
TB-3	M3
TB-4	M4



NOTES:

1. MATERIAL: RUBBER BUMPER - IIR, SHORE 40-50A DUROMETER (RMS-348)  
THREADED STEM - BRASS (RMS-349)
2. COLOR: RUBBER BUMPER - BLACK  
THREADED STEM - AS MACHINED
3. TYPICAL COMPRESSION FOR 10LB MAX LOAD = .03 [0.8]

TITLE: <b>THREADED BUMPERS</b>					DWG IN IN[MM]	FINAL
GREATED USING SOLIDWORKS		FILE #: TB	DWN: S.J.	APP: S.J.	PART #	
TOLERANCES UNLESS NOTED		SHEET: 1 OF 1	DT: 1.09.07	CHKD: S.K.	SEE TABLE	
B	SEE ECN #1309 FOR CHANGES	SK 04.05.07	RE: RICHCO, INC.		PRINT TYPE	
A	RELEASED FOR PRODUCTION	SK 01.09.07	RICHCO, INC.		CA	
REV	DESCRIPTION	ENGR. DATE	RICHCO, INC. ENG@RICHCO-INC.COM (773) 539-4060			