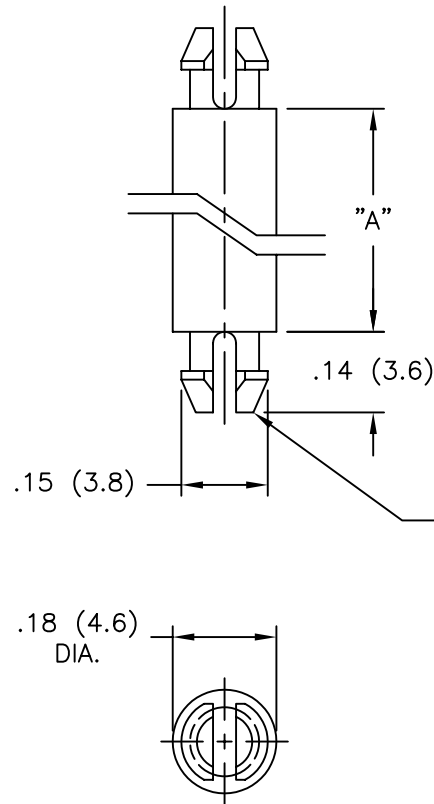


PART NO.	DIM. "A" ±.015 (±0.4)
DLMSPM-2-01	1/8 (3.2)
DLMSPM-3-01	3/16 (4.8)
DLMSPM-4-01	1/4 (6.4)
DLMSPM-5-01	5/16 (7.9)
DLMSPM-6-01	3/8 (9.5)
DLMSPM-7-01	7/16 (11.1)
DLMSPM-8-01	1/2 (12.7)
DLMSPM-9-01	9/16 (14.3)
DLMSPM-10-01	5/8 (15.9)
DLMSPM-12-01	3/4 (19.1)
DLMSPM-13-01	13/16 (20.6)
DLMSPM-14-01	7/8 (22.2)
DLMSPM-16-01	1 (25.4)
DLMSPM-18-01	1-1/8 (28.6)
DLMSPM-20-01	1-1/4 (31.8)
DLMSPM-22-01	1-3/8 (34.9)
DLMSPM-24-01	1-1/2 (38.1)



NOTES:

- MATERIAL: NYLON 6/6 (RMS-01).  
FLAME RETARDANT, NYLON (RMS-19).  
AVAILABLE BY SPECIAL ORDER ONLY.
- COLOR: NATURAL.

TITLE: DUAL LOCKING MINI SUPPORT POST, MICRO		DWG IN IN (MM)		FINAL			
TOLERANCES UNLESS NOTED .XX=±.010 .XXX=±.005 FRAC=±1/64 ANG=±1°	FILE # DLMSPM	DWN: P.B.	APP:	PART #		PRINT TYPE	
	MAT'L: SEE NOTES	DT: 03-07-95	DT:	SEE TABLE		CA	
	RE: RICHCO, INC.	RICHCO INC. PO BOX 804238, CHICAGO, 60680 (773) 539-4060					

REV	DESCRIPTION	ENGR	DATE
D	CHANGED FILE NO. AND TITLE BLOCK	SM	05.03.01
C	MAT'L RMS-19 ADDED	J.L.	12.29.97
B	P/N DLMSPM-13-01 ADDED	RT	11.06.96
A	P/N DLMSPM-9-01 ADDED	PB	07.24.95