



**TOBS**  
Adhesive/Screw Mount Tie

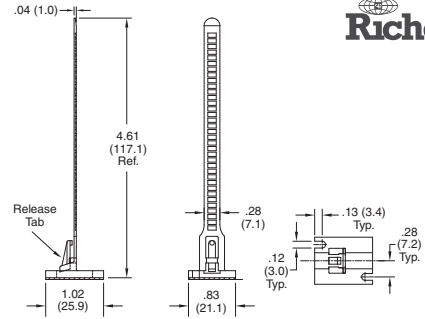


Specifications:

- Material: UL94 V-2 Nylon 6/6
- Color: Black

Features:

- Mounts with two #4 (M3) screws or adhesive
- Cable tie is releasable



Item No.	Slots for Screw Size		Max Bundle Ø		Bulk Pack Qty.
	In	mm	In	mm	
TOBS-18-01A-RT	#4	M3	1.125	28.5	1000

**ES**  
Rubber Strap with Locking Button

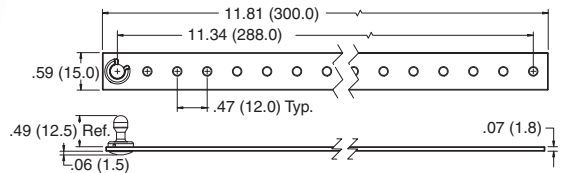


Specifications:

- Material: Strap; Silicone Rubber, 50 Shore A Latch Pin; UL94 HB Nylon 6/6
- Color: Black

Features:

- Rubber strap can be stretched and wrapped around bundles up to three times
- Grips the cables preventing movement
- For additional latch pins, order part number CS-113-6



Item No.	Max Bundle Ø		Max Perimeter		Pack Qty.	Bulk Pack Qty.
	In	mm	In	mm		
ES-1	4.330	110.0	13.600	345.0	1	100

**RNS / LB**  
Nylon Strap with Locking Button

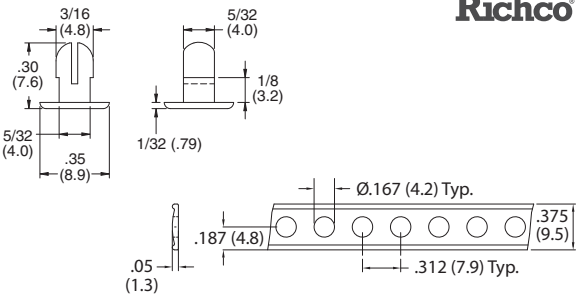


Specifications:

- Material: Nylon 6/6
- Color: Black

Features:

- 100 foot long strap can be cut to desired length
- Once bundle is wrapped, the strap is secured with mounting button, LB-5



Item No.	Description	Material	Material UL Rating	Bulk Pack Qty.
RNS-167	Strap	Nylon 6/6	UL94 HB	100 ft.
LB-5	Locking Button	Nylon 6/6	UL94 V-2	100

**RKS**  
Hook and Loop Strap

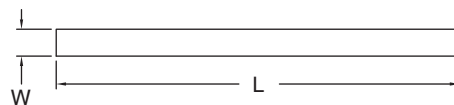


Specifications:

- Material: Hook: Low Density Polyethylene Loop: Nylon Knit
- Color: See table

Features:

- Heavy duty hook and loop
- Features VELCRO® brand hook and loop material
- User can cut to desired length
- Excellent in reusable applications



Item No.	Color	L Length		W Width		Bulk Pack Qty.
		In	mm	In	mm	
RKS-8-6-BK-C	Black	6.0	152.4	1/2	12.7	100
RKS-8-6-BK-W	White	6.0	152.4	1/2	12.7	10
RKS-8-8-BK-C	Black	8.0	203.2	1/2	12.7	100
RKS-8-8-BK-W	White	8.0	203.2	1/2	12.7	10
RKS-8-12-BK-C	Black	12.0	304.8	1/2	12.7	100
RKS-8-12-BK-W	White	12.0	304.8	1/2	12.7	10
RKS-12-6-BK-C	Black	6.0	152.4	3/4	19.1	100
RKS-12-6-BK-W	White	6.0	152.4	3/4	19.1	10
RKS-12-8-BK-C	Black	8.0	203.2	3/4	19.1	100
RKS-12-8-BK-W	White	8.0	203.2	3/4	19.1	10
RKS-12-12-BK-C	Black	12.0	304.8	3/4	19.1	100
RKS-12-12-BK-W	White	12.0	304.8	3/4	19.1	10
RKS-16-8-BK-C	Black	8.0	203.2	1.0	25.4	100
RKS-16-8-BK-W	White	8.0	203.2	1.0	25.4	10
RKS-16-12-BK-C	Black	12.0	304.8	1.0	25.4	100
RKS-16-12-BK-W	White	12.0	304.8	1.0	25.4	10