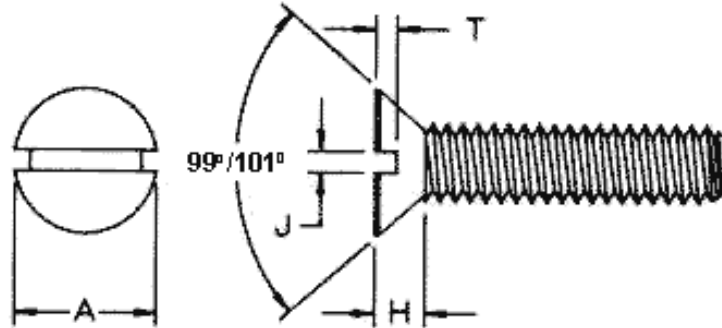


Item Search Results

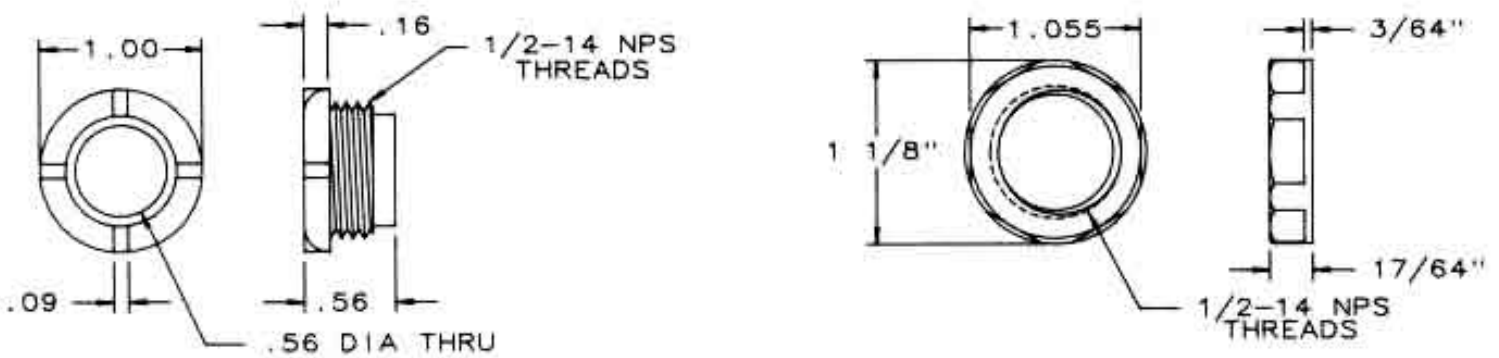
The Search String You Entered Was **04**.

100 Deg Flat Machine Screws



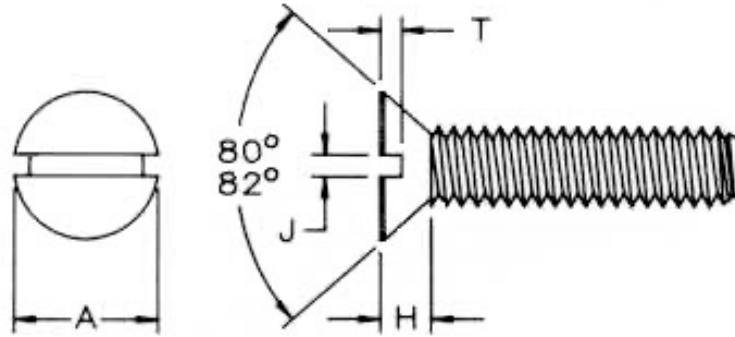
Item Number	Thread	Length
020440B018	440	0.1875
020440B025	440	0.25
020440B031	440	0.3125
020440B037	440	0.375
020440B050	440	0.5
020440B053	440	0.531
020440B062	440	0.625
020440B100	440	1

2 Pc Nylon Threaded Bushing



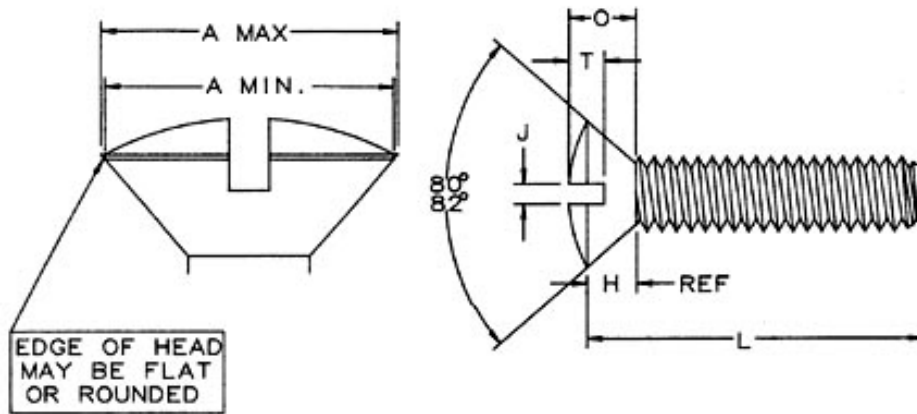
Item Number	Thickness	Wrenching Flats	Thread
04MP0500TB	17/64"	1-1/16"	1/2 NPS

82 Deg Flat Machine Screws



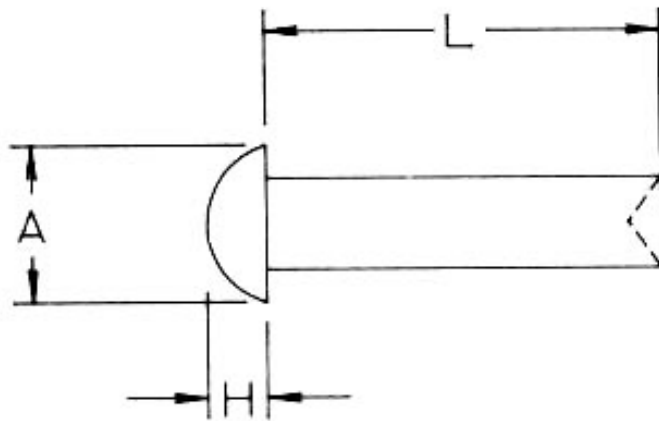
Item Number	Thread	Length
020256A043	256	0.4375
020440A012	440	0.125
020440A015	440	0.156
020440A018	440	0.1875
020440A025	440	0.25
020440A031	440	0.3125
020440A037	440	0.375
020440A050	440	0.5
020440A056	440	0.5625
020440A062	440	0.625
020440A075	440	0.75
020440A100	440	1
020440A112	440	1.125
020440A118	440	1.1875
020440A125	440	1.25
020440A137	440	1.375
020440A150	440	1.5
020440A175	440	1.75
020448A015	448	0.156
020448A025	448	0.25
020832A043	832	0.4375

82 Deg Oval Machine Screws



Item Number	Thread	Length
330256A043	256	0.4375
330440A012	440	0.125
330440A015	440	0.156
330440A018	440	0.1875
330440A025	440	0.25
330440A031	440	0.3125
330440A037	440	0.375
330440A050	440	0.5
330440A056	440	0.5625
330440A062	440	0.625
330440A075	440	0.75
330440A100	440	1
330440A112	440	1.125
330440A118	440	1.1875
330440A125	440	1.25
330440A137	440	1.375
330440A150	440	1.5
330440A175	440	1.75
330448A015	448	0.156
330448A025	448	0.25
330832A043	832	0.4375

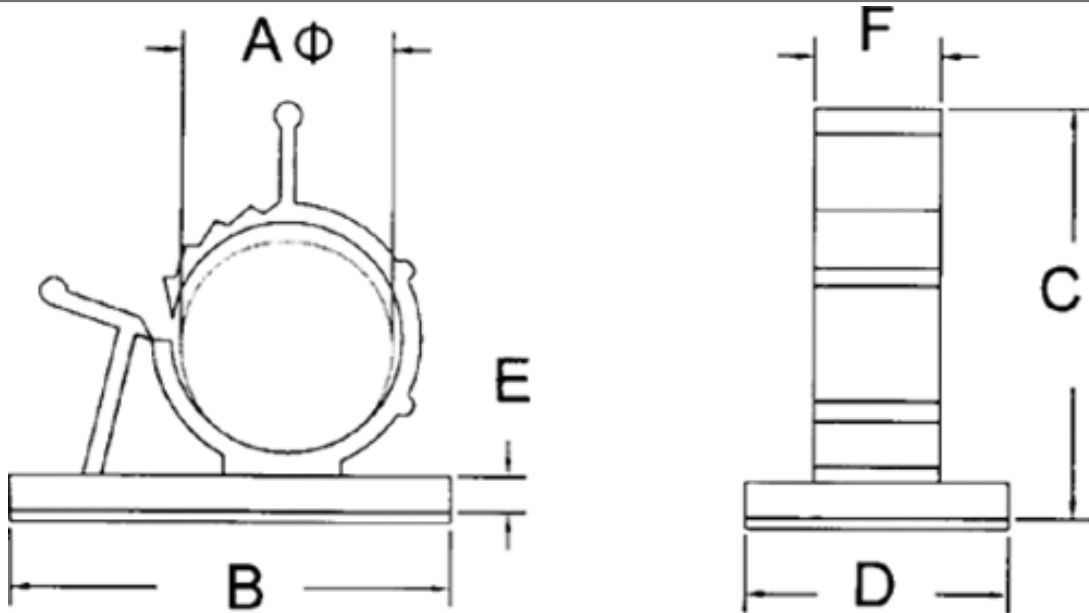
Molded Acetal Rivets



Molded plastic rivets are used for glides, insulators, etc.

Item Number	Description	Shank	A	H	Length
26RIV004	RIV 4	0.085	0.143	0.058	0.3125

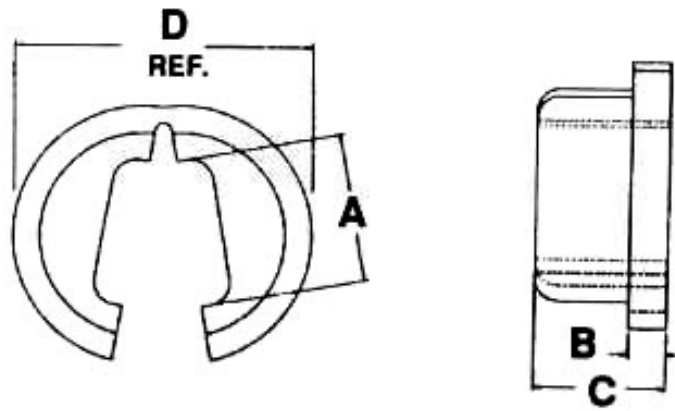
Adjustable Cable Clamp



ADHESIVE TAPE

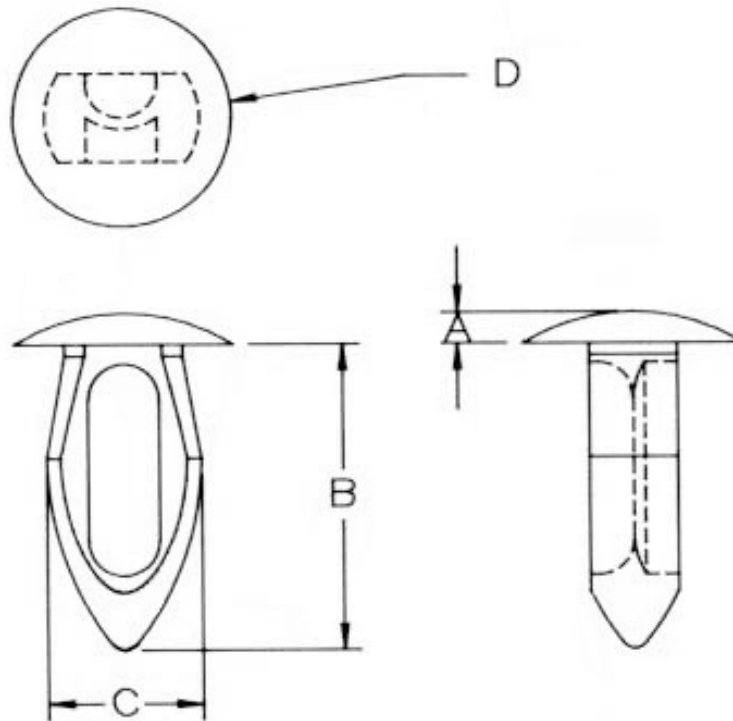
Item Number	Description	A	B	C	D	E	F
NM22ACC0437	Adjustable Cable Clamp	.394 / .492	1.252	1.094	0.752	0.063	0.402

Anti-Twist Bushing



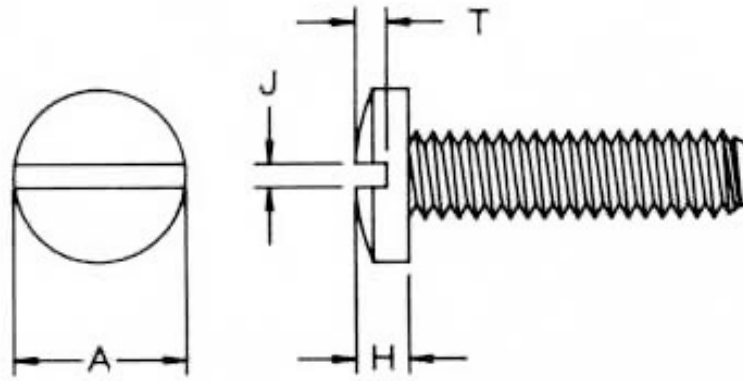
Item Number	Description	A	B	C	D Ref.
04MP0125ATB	1/8" Anti-Twist	0.195	0.05	0.175	0.39
04MP0250ATB	1/4" Anti-Twist	0.195	0.05	0.175	0.5

Nylon Arrow Clips



Item Number	Description	Hole Size	Panel Thickness Range	Head Dia. D	Head Height A	Length B (+/- .010)	Clip Dia. C
27AC0004	AC 4	.151 / .161	.062 / .145	0.28	0.08	0.4	0.18

Slotted Binder Machine Screws



Item Number	Thread	Length
010256B043	256	0.4375
010436B050	436	0.5
010440B009	440	0.09375
010440B012	440	0.125
010440B014	440	0.141
010440B018	440	0.1875
010440B025	440	0.25
010440B028	440	0.281
010440B031	440	0.3125
010440B037	440	0.375
010440B043	440	0.4375
010440B050	440	0.5
010440B056	440	0.5625
010440B062	440	0.625
010440B068	440	0.6875
010440B075	440	0.75
010440B087	440	0.875
010440B100	440	1
010440B112	440	1.125
010440B118	440	1.1875
010440B125	440	1.25
010440B137	440	1.375
010440B150	440	1.5
010440B162	440	1.625
010440B175	440	1.75
010448B025	448	0.25
010632B043	632	0.4375

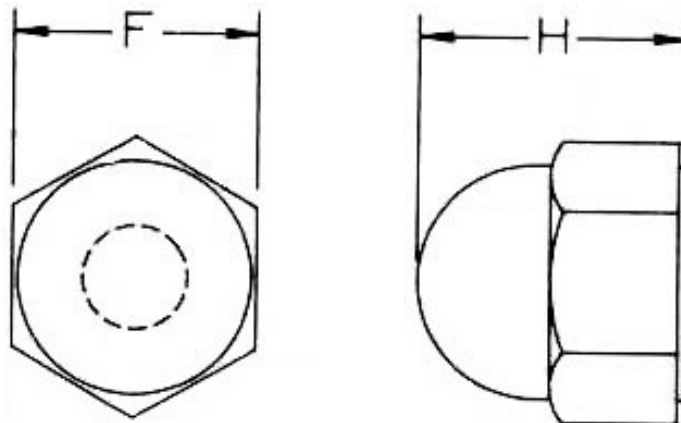
010832B043	832	0.4375
011032B043	1032	0.4375

Cable Ties



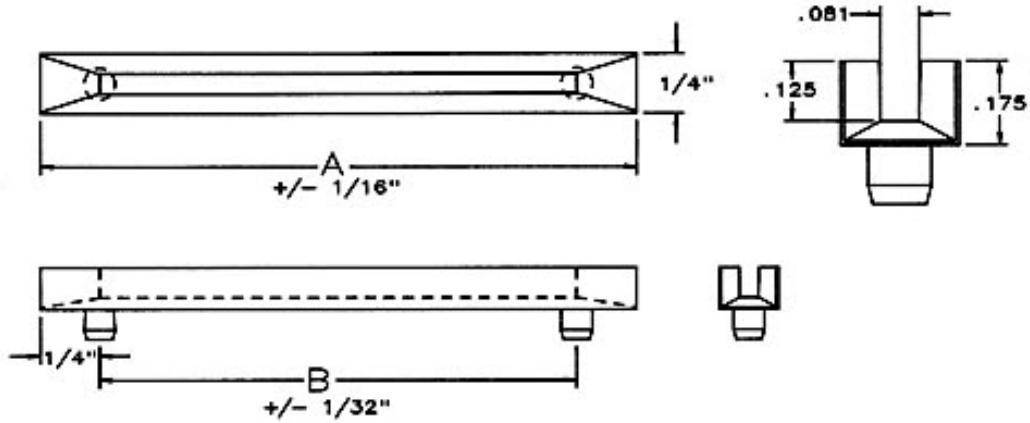
Item Number	Material	Min. Strength (in lbs.)	Length	Width	Max. Dia.
NT16048C	Nylon 6/6 Natural	50	6.3	0.189	1.65
NT16048CB	Nylon 6/6 UV Black	50	6.3	0.189	1.65
NT18048C	Nylon 6/6 Natural	50	7.48	0.189	2.05
NT18048CB	Nylon 6/6 UV Black	50	7.48	0.189	2.05
NT20048C	Nylon 6/6 Natural	50	7.99	0.181	2.16
NT20048CB	Nylon 6/6 UV Black	50	7.99	0.181	2.16
NT20048CBLUE	Nylon 6/6 Blue	50	7.99	0.181	2.16
NT20048CGREEN	Nylon 6/6 Green	50	7.99	0.181	2.16
NT20048CRED	Nylon 6/6 Red	50	7.99	0.181	2.16
NT20048CYELLOW	Nylon 6/6 Yellow	50	7.99	0.181	2.16
NT25048C	Nylon 6/6 Natural	50	9.84	0.189	2.91
NT25048CB	Nylon 6/6 UV Black	50	9.84	0.189	2.91
NT37048C	Nylon 6/6 Natural	50	14.49	0.189	4.02
NT37048CB	Nylon 6/6 UV Black	50	14.49	0.189	4.02
NTA12048C	Nylon 6/6 Natural	50	4.72	0.189	1.18
NTA12048CB	Nylon 6/6 UV Black	50	4.72	0.189	1.18

Nylon Cap Nuts



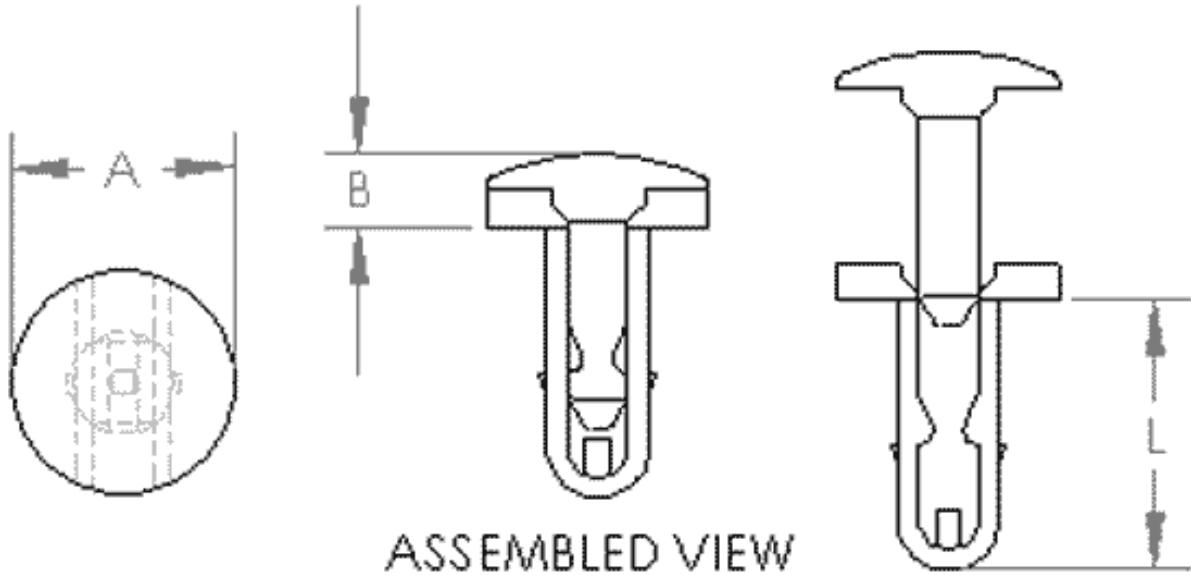
Item Number	Description	F (+/- .010)	H* REF.
0500440CN	440 Cap Nut	0.25	0.28

Nylon PC Board Card Guides



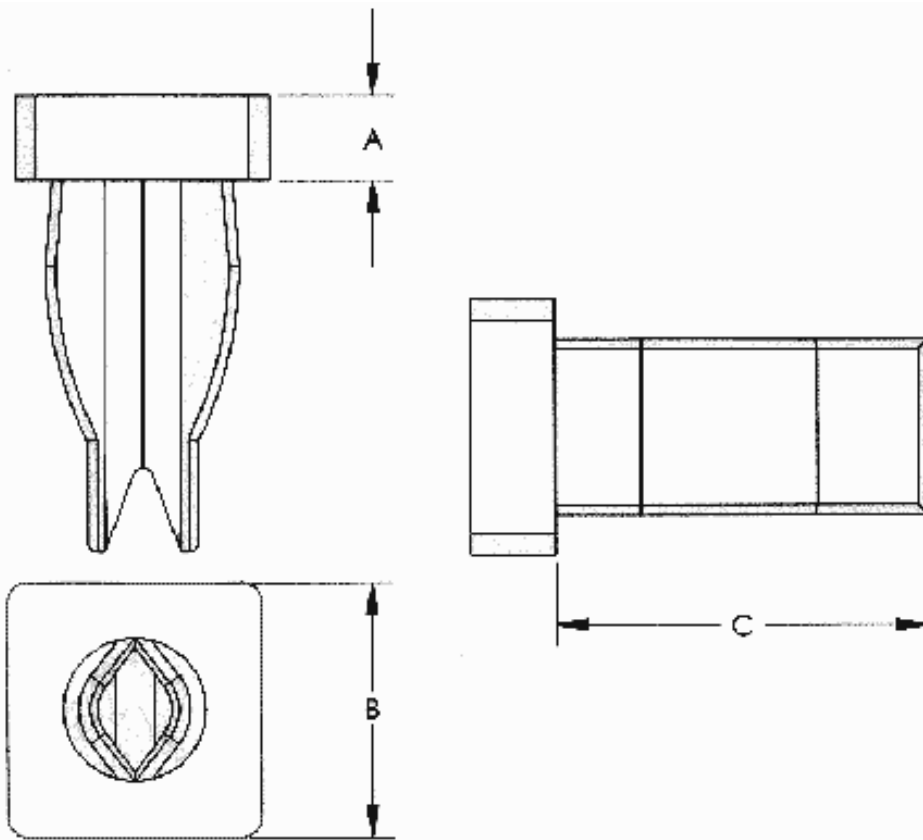
Item Number	Description	A	B
21CGS00400	4" Guide	4	3.5
21CGS00400WS	4" Card Guide w/ Split Legs	4	3.5
21CGS00450	4 1/2" Guide	4.5	4
21CGS00450WS	4 1/2" Card Guide w/ Split Legs	4.5	4

Panel Cinching Rivet



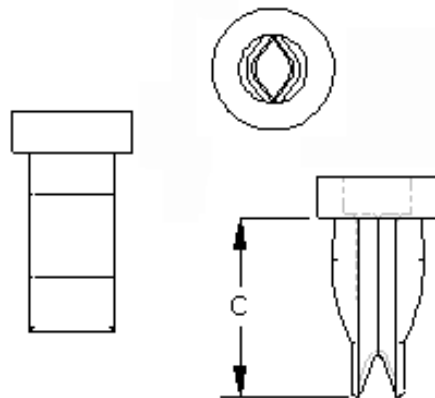
Item Number	Description	Panel Thickness Range	Head Dia.	Assembled Head Height	Length (+/- .015)	Hole Dia.
27CINCH04	Cinch Fastener	.020 / .174	0.625	0.124	0.555	0.25

Closed Screw Std. Grommet Nut



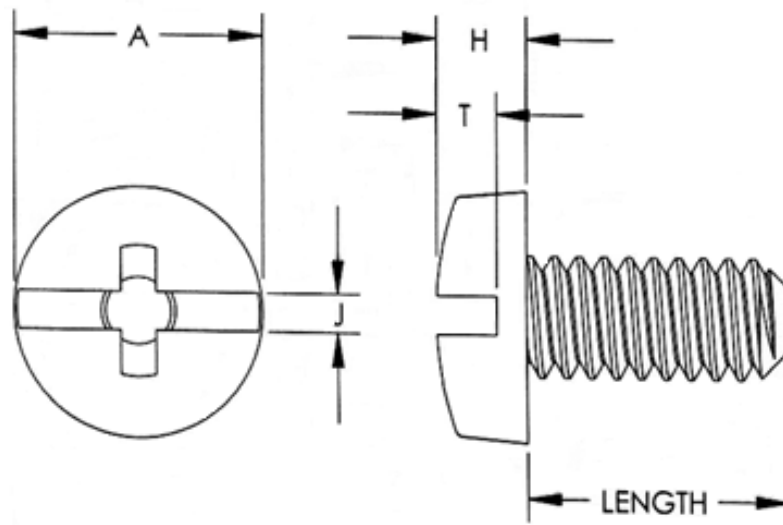
Item Number	Hole Size	Panel Thickness Range	Screw Size	Head Size "B"	Height "A"	Length "C" (+/- .015)
60SGC00004	.270 / .290	.020 / .140	8 - 10	0.375	0.25	0.54

Closed Scr Spacer Grommet Nut



Item Number	Spacer Length	Spacer OD	Hole Size	Panel Thickness Range	Screw Size	Lock Length "C" (+/- .015)
60SPG00004	.312	3/8	.270 / .290	.020 / .140	8 - 10	0.548

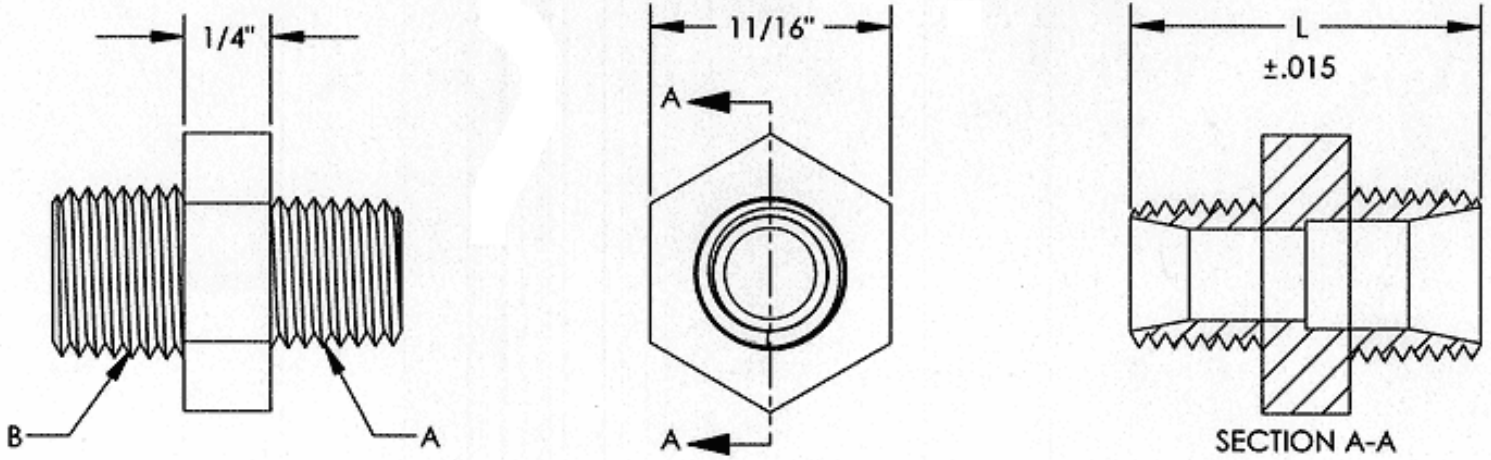
Comb Drive Binder Head Screw



Item Number	Thread	Length
010256CD043	256	0.4375
010440CD009	440	0.094
010440CD012	440	0.125
010440CD014	440	0.141
010440CD018	440	0.1875
010440CD025	440	0.25
010440CD028	440	0.281
010440CD031	440	0.3125
010440CD037	440	0.375
010440CD043	440	0.4375
010440CD050	440	0.5
010440CD056	440	0.5625
010440CD062	440	0.625
010440CD068	440	0.6875
010440CD075	440	0.75
010440CD087	440	0.875
010440CD100	440	1
010440CD112	440	1.125
010440CD118	440	1.1875
010440CD125	440	1.25
010440CD137	440	1.375
010440CD150	440	1.5
010440CD162	440	1.625
010440CD175	440	1.75
010632CD043	632	0.4375

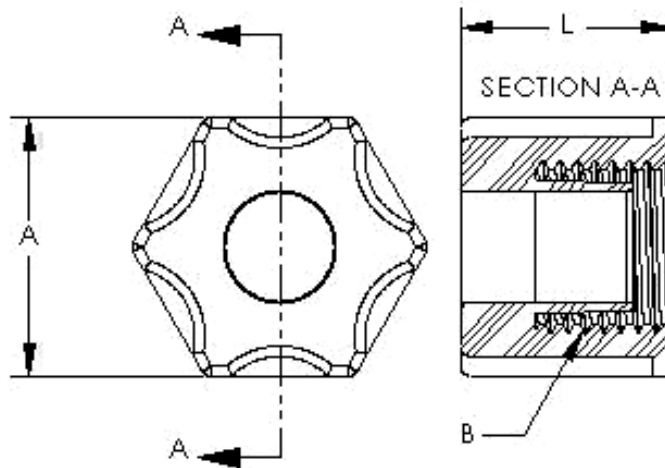
010832CD043	832	0.4375
011032CD043	1032	0.4375

Compression Connector



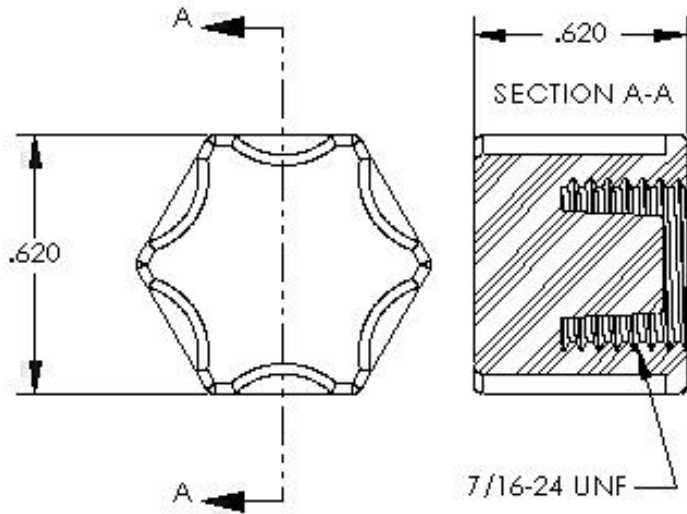
Item Number	Description	A	B	L
04AP4372050020CC	1/4 X 5/16 Compression Connector	7/16-20 UNF	1/2-20 UNF	0.99
04AP43720CC	1/4 X 1/4 Compression Connector	7/16-20 UNF	7/16-20 UNF	1

Compression Nut



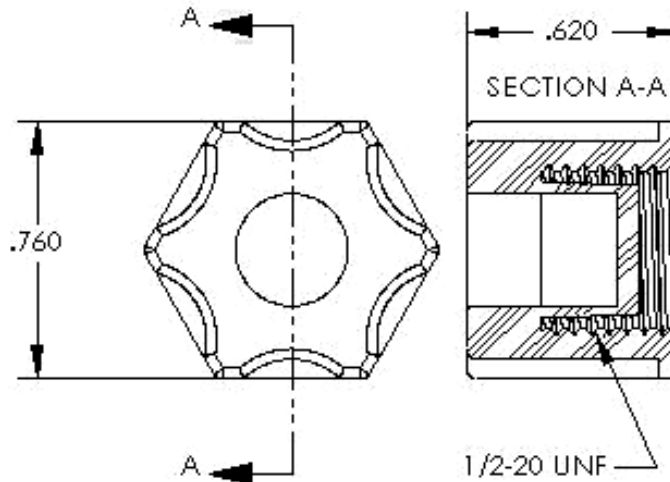
Item Number	Description	Tubing OD	B	A	L
0443720UNFCPN	7/16-20 Compression Nut	1/4"	7/16-20 UNF	0.62	0.62
0450020UNFCPN	1/2-20 Compression Nut	5/16"	1/2-20 UNF	0.745	0.62

Compression Plug



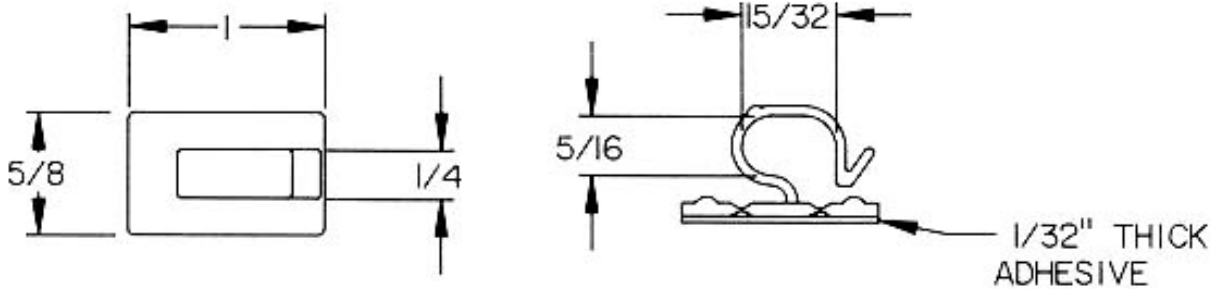
Item Number	Description
0443724UNFPLUG	Compression Plug

Compression Plug w/ Hole



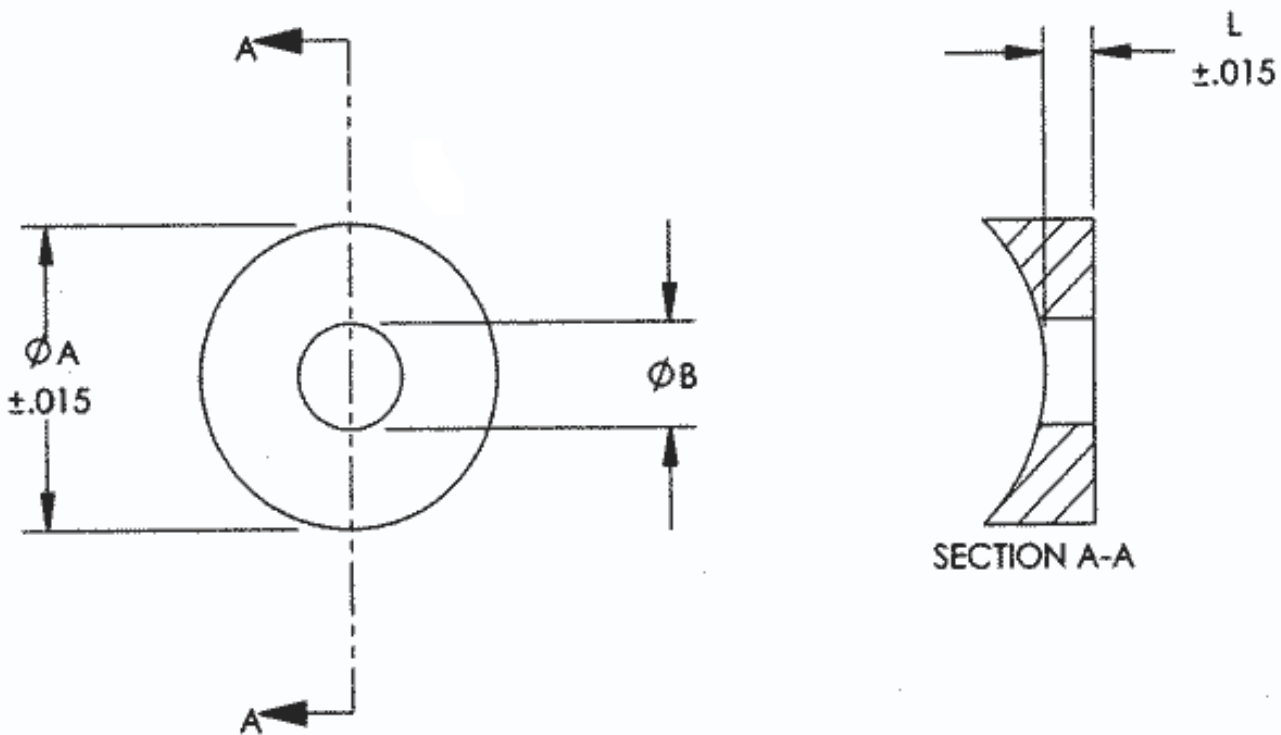
Item Number	Description
0450020UNFPLUG	Compression Plug

Contour Clips



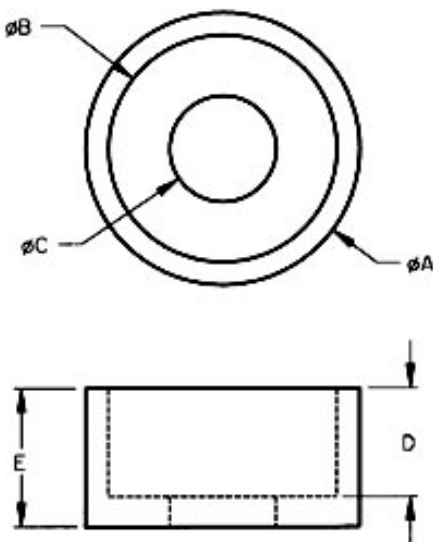
Item Number	Description
22CAWC00440TAB	Contour Clip
22CAWC00440VHBTAB	Contour Clip (VHB)

Coved Spacer



Item Number	Tube Dia. (Ref.)	A	B	L
13CS0004	1	1	0.26	0.25

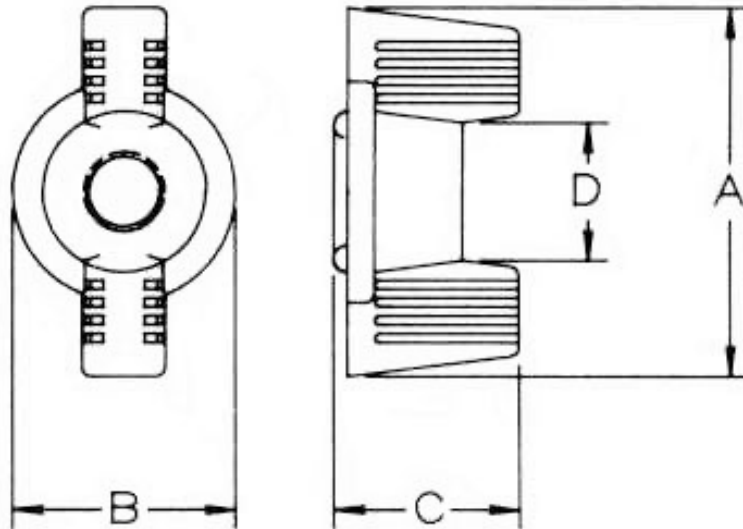
Nylon Cup Washers



Item Number	Description	A	B	C	D	E
16CW004040	CW 4-040	0.305	0.245	0.115	0.117	0.157
16CW006040	CW 6-040	0.36	0.3	0.14	0.142	0.182
16CW008040	CW 8-040	0.414	0.354	0.171	0.166	0.206
16CW008041	CW 8-041	0.414	0.354	0.171	0.13	0.17

16CW008042	CW 8-042	0.497	0.389	0.187	0.093	0.139
16CW010040	CW 10-040	0.47	0.41	0.194	0.19	0.23
16CW250040	CW 250-040	0.595	0.535	0.257	0.247	0.289

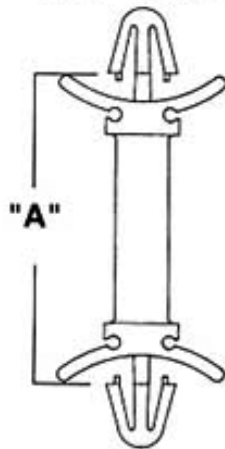
Nylon Deco Wing Nuts



Item Number	Description	A (Ref.)	B	C	D
0600440DECOWN	440 Deco Wing Nut	0.625	0.375	0.3125	0.234

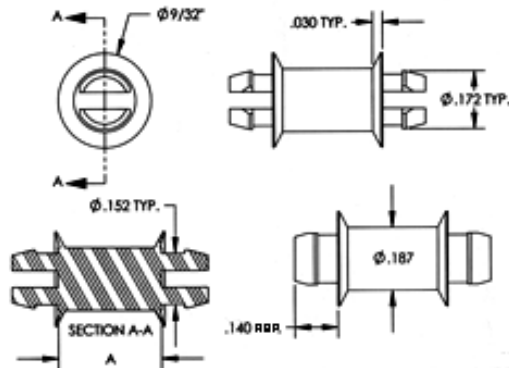
PCB Supports "DLP/DSP Series"

"DLP" SERIES



Both Ends Fit a .187" Hole
Panel Thickness .030/.078

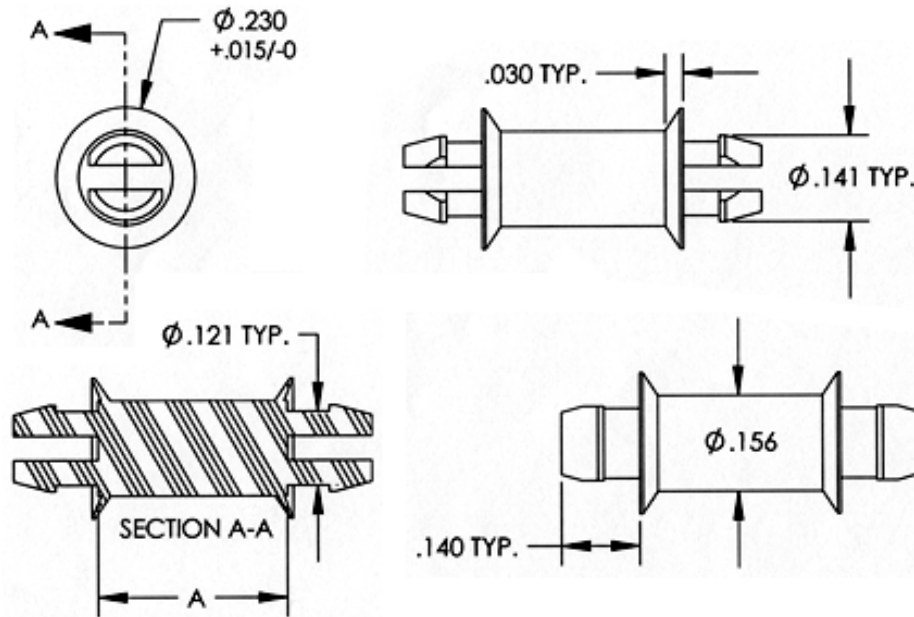
"DSP" SERIES



Both Ends Fit A .156" Hole
Panel Thickness 1/16"

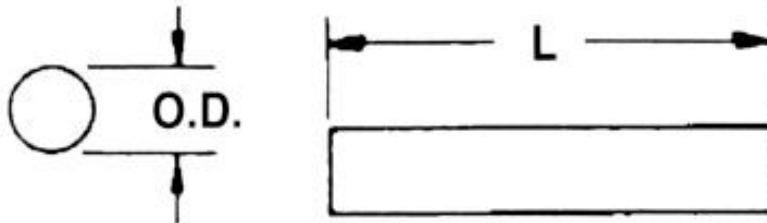
Item Number	Description	A*
27DLP00437	DLP 437	0.557
27DSP00437	DSP 437	0.437
27DSP00472	DSP 472	0.472

PCB Supports "DMSP Series"



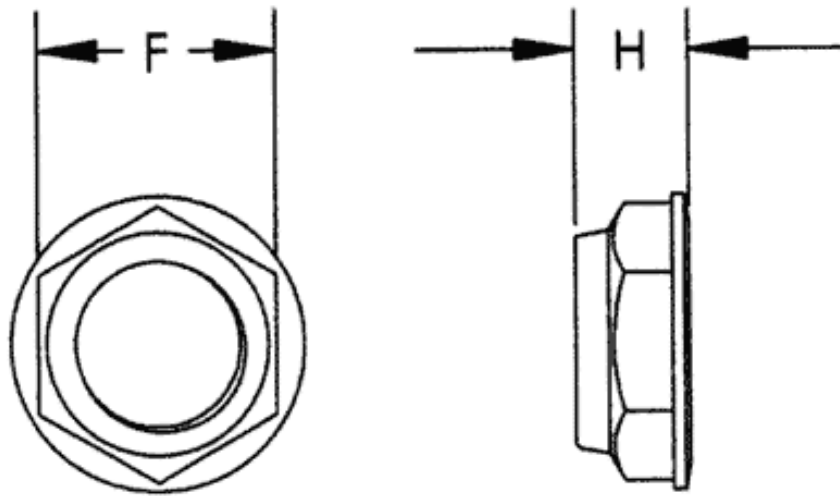
Item Number	Description	A
27DMSP00437	DMSP 437	0.437

Molded Plastic Dowels



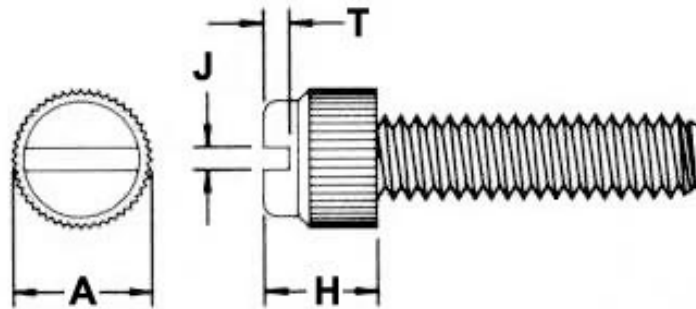
Item Number	Description	O.D.	Length
2500470125	047125	0.047	0.125
2500470250	047250	0.047	0.25
2500470375	047375	0.047	0.375
2500470500	047500	0.047	0.5
2504370250	437250	0.437	0.25

Nylon Dress Nut



Item Number	Description	O.D.	F	H (+/- .015)
0437532HDN	3/8-32 Dress Nut	0.615	0.5	0.245

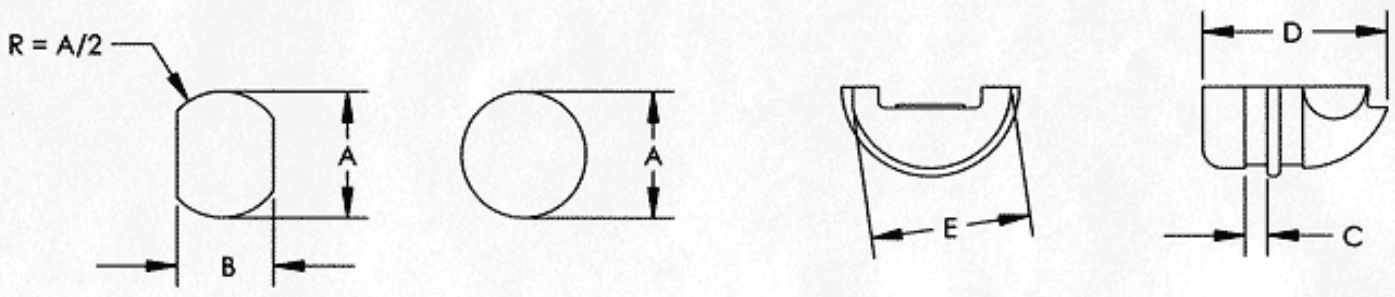
Economy Grade Thumb Screws



Item Number	Thread	Length
090440009TEG	440	0.09375
090440012TEG	440	0.125
090440014TEG	440	0.141
090440018TEG	440	0.1875
090440025TEG	440	0.25
090440028TEG	440	0.281
090440031TEG	440	0.3125
090440037TEG	440	0.375
090440043TEG	440	0.4375
090440050TEG	440	0.5
090440056TEG	440	0.5625
090440062TEG	440	0.625
090440068TEG	440	0.6875
090440075TEG	440	0.75
090440087TEG	440	0.875
090440100TEG	440	1

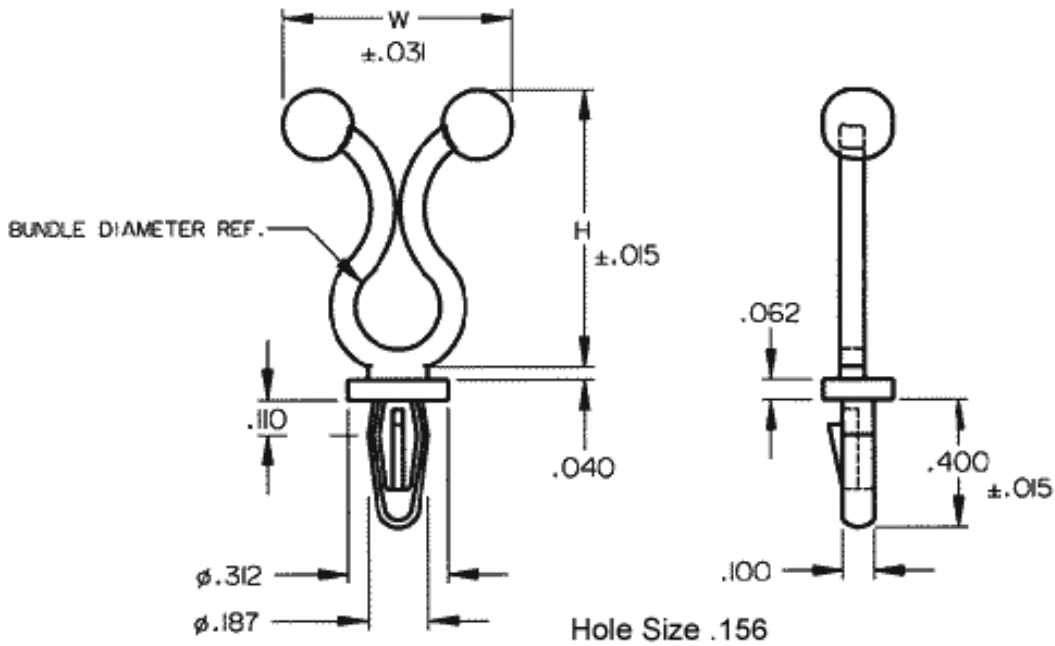
090440112TEG	440	1.125
090440118TEG	440	1.1875
090440125TEG	440	1.25
090440137TEG	440	1.375
090440150TEG	440	1.5
090440175TEG	440	1.75
090448025TEG	448	0.25
090632043TEG	632	0.4375
090832043TEG	832	0.4375
091032043TEG	1032	0.4375

"EZ" Strain Relief Bushings



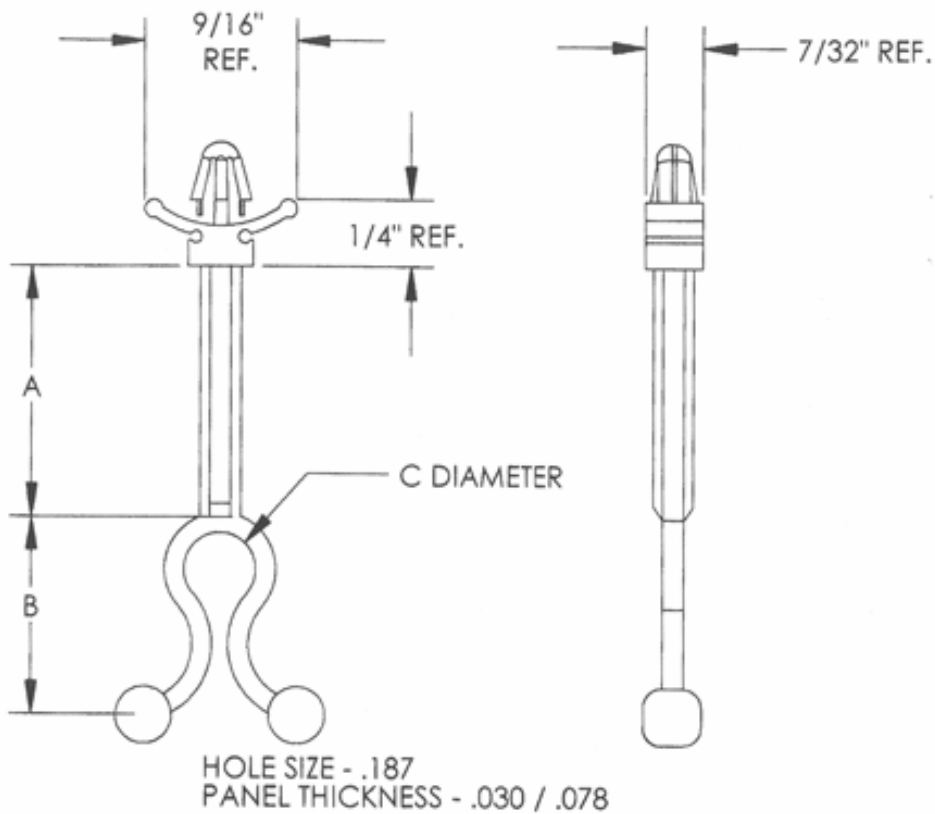
Item Number	UL/CSA Desc.	Cross Sec.	Cable Size	Cable Type	Gauge	Dia. A	Flats B	Max. Panel Thk. C	Length D	Width E	
23MP04KEZS	MP4KEZS	Flat	.150 X .280	SPT	18/2	0.5	0.465	0.1	0.58	0.51	1000
			.150 X .280	SPT	16/2	0.5	0.465	0.1			
23MP04NEZH	MP4NEZH	Flat	.150 X .280	HPN	18/2	0.5	0.465	0.062	0.55	0.505	1000
23MP04NEZS	MP4NEZS	Flat	.150 X .280	SPT	18/2	0.5	0.465	0.062	0.57	0.5	1000
			.160 X .300	SPT	16/2	0.5	0.465	0.062			

"EZ" TL Support 156 Dia Hole



Item Number	Description	Panel Thickness	H
23EZS0250C0040	.250 Bundle Dia.	1/16"	0.875
23EZS0375C0040	.375 Bundle Dia.	1/16"	1.078
23EZS0500C0040	.500 Bundle Dia.	1/16"	1.203

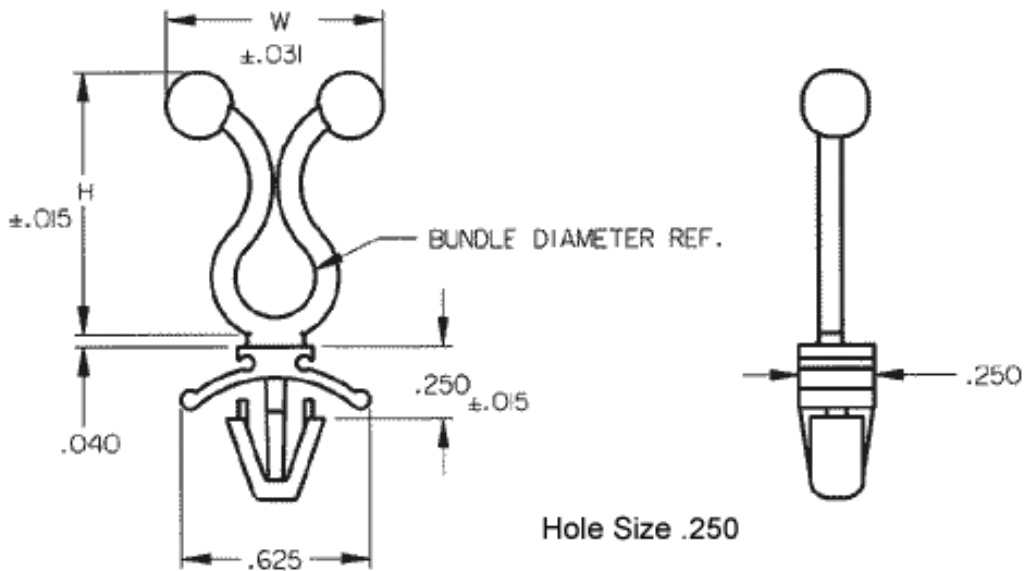
"EZ" TL Support 187 Dia Hole



Item Number	Description	A	B	C
23EZS0450N0030	.450 Bundle Dia.	0.028	1.18	0.453

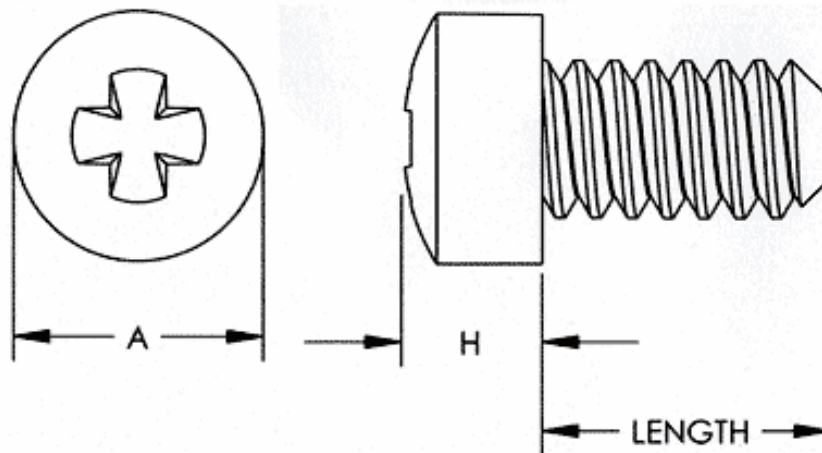
23EZS0450N0625	.450 Bundle Dia.	0.625	1.184	0.453
----------------	------------------	-------	-------	-------

"EZ" TL Support 250 Dia Hole



Item Number	Description	Panel Thickness	H
23EZS0250B0040	.250 Bundle Dia.	.047 / .109	0.875
23EZS0375B0040	.375 Bundle Dia.	.047 / .109	1.078
23EZS0500B0040	.500 Bundle Dia.	.047 / .109	1.203

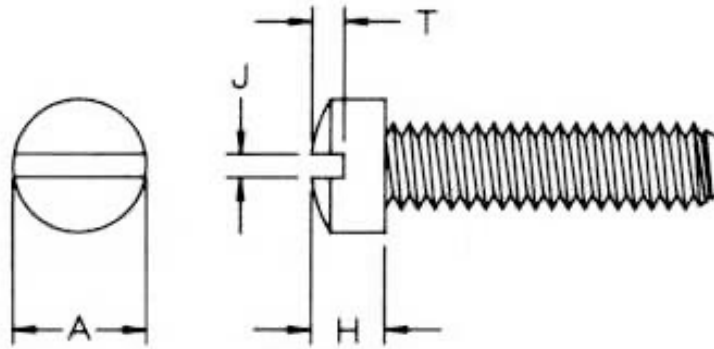
Fillister Phillips Machine Screw



Item Number	Thread	Length
010440WF009	440	0.09375
010440WF012	440	0.125
010440WF014	440	0.141
010440WF018	440	0.1875
010440WF025	440	0.25
010440WF028	440	0.281

010440WF031	440	0.3125
010440WF037	440	0.375
010440WF043	440	0.4375
010440WF050	440	0.5
010440WF056	440	0.5625
010440WF062	440	0.625
010440WF068	440	0.6875
010440WF075	440	0.75
010440WF087	440	0.875
010440WF100	440	1
010440WF112	440	1.125
010440WF118	440	1.1875
010440WF125	440	1.25
010440WF137	440	1.375
010440WF150	440	1.5
010440WF162	440	1.625
010440WF175	440	1.75
010632WF043	632	0.4375
010832WF043	832	0.4375
011032WF043	1032	0.4375

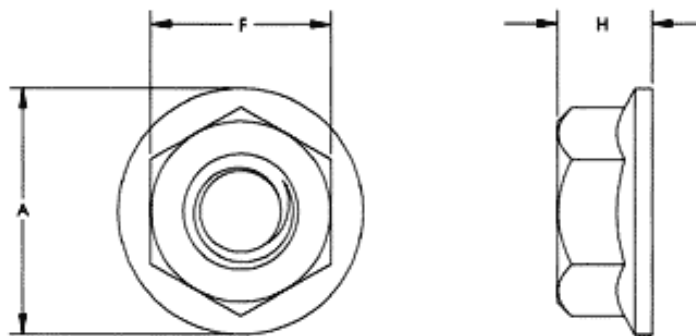
Slotted Fillister Mach Screw



Item Number	Thread	Length
010256F043	256	0.4375
010348F043	348	0.4375
010436F050	436	0.5
010440F009	440	0.09375
010440F012	440	0.125
010440F014	440	0.141

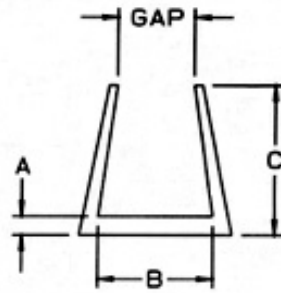
010440F018	440	0.1875
010440F025	440	0.25
010440F028	440	0.281
010440F031	440	0.3125
010440F037	440	0.375
010440F043	440	0.4375
010440F050	440	0.5
010440F056	440	0.5625
010440F062	440	0.625
010440F068	440	0.6875
010440F075	440	0.75
010440F087	440	0.875
010440F100	440	1
010440F112	440	1.125
010440F118	440	1.1875
010440F125	440	1.25
010440F137	440	1.375
010440F150	440	1.5
010440F162	440	1.625
010440F175	440	1.75
010448F025	448	0.25
010632F043	632	0.4375
010832F043	832	0.4375
011032F043	1032	0.4375

Hex Flange Nut



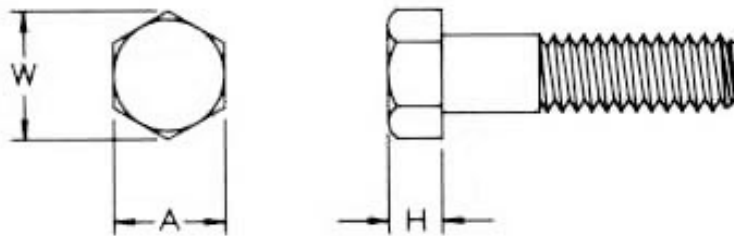
Item Number	Description	A (+/-0.010)	F (+/-0.010)	H (+/-0.010)
0401032HFN	1032 Hex Flange Nut	0.492	0.364	0.208
0425020HFN	1/4-20 Hex Flange Nut	0.582	0.428	0.226

Continuous Flexible Grommets



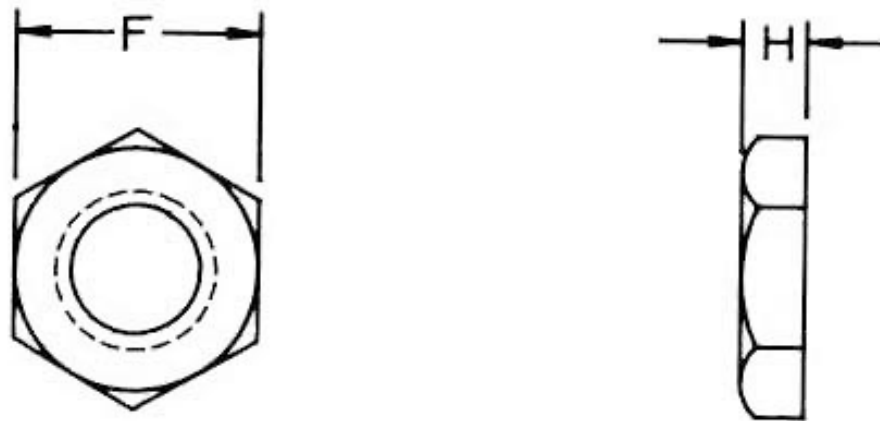
Item Number	Panel Range	Material	Type	Gap Ref.	A Ref.	B Ref.	C Ref.
22FGS0400PBK	.040 / .070	Polyethylene	Serrated	0.035	0.028	0.072	0.19
22FGS0400PNA	.040 / .070	Polyethylene	Serrated	0.035	0.028	0.072	0.19
22FGU0400PBK	.040 / .070	Polyethylene	Uncut	0.035	0.028	0.072	0.19
22FGU0400PNA	.040 / .070	Polyethylene	Uncut	0.035	0.028	0.072	0.19

Hex Bolts



Item Number	Thread	Length
0325020400	1/4-20	4
0325020450	1/4-20	4.5
0375010400FT	3/4-10	4

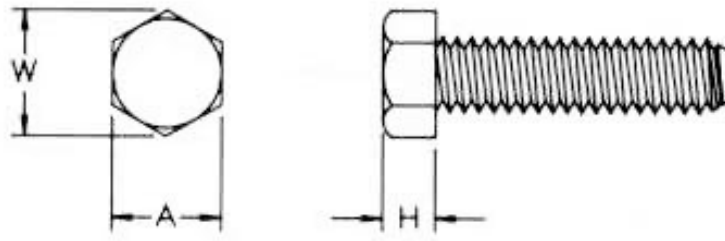
Nylon Hex Jam Nuts



Item Number	Description	F (+/- .010)	H (+/- .010)
0410008HJN	1-8 Hex Jam Nut	1.48	0.41
0412527PJN	1/8-27 Hex Jam Nut NPT	0.56	0.11

0425018PJN	1/4-18 Hex Jam Nut NPT	0.74	0.187
0425018SJN	1/4-18 Hex Jam Nut NPS	0.687	0.225
0431218HJN	5/16-18 Hex Jam Nut	0.5	0.19
0431224HJN	5/16-24 Hex Jam Nut	0.5	0.19
0437516HHJN	3/8-16 Hex Jam Nut Spec.	0.67	0.219
0437516HJN	3/8-16 Hex Jam Nut	0.5	0.125
0437518PJN	3/8-18 Hex Jam Nut NPT	1	0.28
0437518SJN	3/8-18 Hex Jam Nut NPS	1	0.28
0437524HJN	3/8-24 Hex Jam Nut	0.5	0.125
0437532HJN	3/8-32 Hex Jam Nut	0.5	0.125
0443714HJN	7/16-14 Hex Jam Nut	0.687	0.375
0443720HJN	7/16-20 Hex Jam Nut	0.687	0.25
0446832HJN	15/32-32 Hex Jam Nut	0.625	0.125
0450013HJN	1/2-13 Hex Jam Nut	0.687	0.22
0450014PJN	1/2-14 Hex Jam Nut NPT	1.25	0.34
0450014SJN	1/2-24 Hex Jam Nut NPS	1.25	0.34
0450024HJN	1/2-24 Hex Jam Nut	0.687	0.22
0450028HJN	1/2-28 Hex Jam Nut	0.66	0.125
0456218HJN	9/16-18 Hex Jam Nut	0.75	0.25
0456224HJN	9/16-24 Hex Jam Nut	0.75	0.25
0462511HJN	5/8-11 Hex Jam Nut	0.937	0.375
0462518HJN	5/8-18 Hex Jam Nut	0.937	0.375
0475010HJN	3/4-10 Hex Jam Nut	1.12	0.25
0475014PJN	3/4-14 Hex Jam Nut NPT	1.48	0.41
0475014SJN	3/4-14 Hex Jam Nut NPS	1.48	0.41
0475016HJN	3/4-16 Hex Jam Nut	1.12	0.25
0475027HJN	3/4-27 Hex Jam Nut	1	0.125
0487514HJN	7/8-14 Hex Jam Nut	1.25	0.34
0487520HJN	7/8-20 Hex Jam Nut	1	0.125

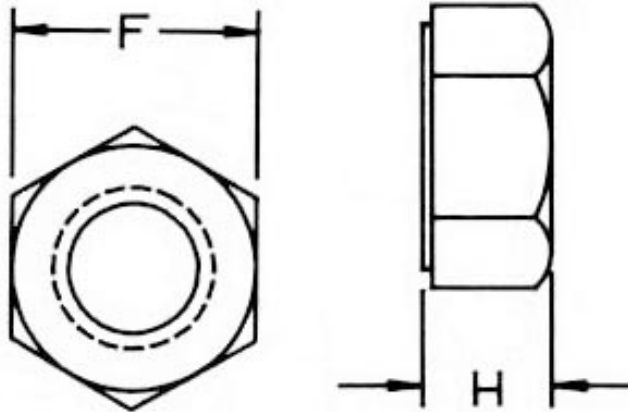
Hex Head Machine Screws



Item Number	Thread	Length
010256H043	256	0.4375
010348H043	348	0.4375
010436H050	436	0.5
010440H009	440	0.09375
010440H012	440	0.125
010440H014	440	0.141
010440H018	440	0.1875
010440H025	440	0.25
010440H028	440	0.281
010440H031	440	0.3125
010440H037	440	0.375
010440H043	440	0.4375
010440H050	440	0.5
010440H056	440	0.5625
010440H062	440	0.625
010440H068	440	0.6875
010440H075	440	0.75
010440H087	440	0.875
010440H100	440	1
010440H112	440	1.125
010440H118	440	1.1875
010440H125	440	1.25
010440H137	440	1.375
010440H150	440	1.5
010440H162	440	1.625
010440H175	440	1.75
010448H025	448	0.25
010632H043	632	0.4375

010832H043	832	0.4375
011032H043	1032	0.4375

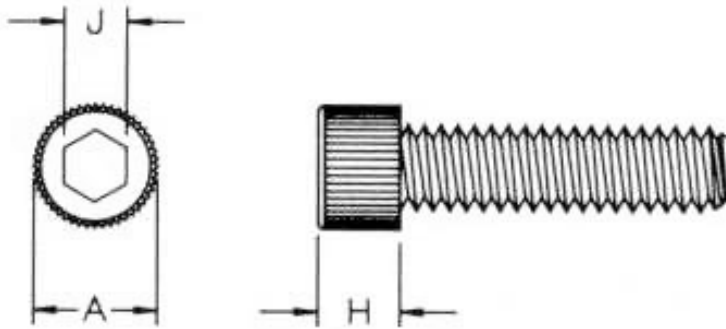
Nylon Hex Nuts



Item Number	Description	F	H
0400256HN	256 Hex Nut	0.18	0.07
0400348HN	348 Hex Nut	0.18	0.07
0400440HN	440 Hex Nut	0.25	0.1
0400632HN	632 Hex Nut	0.305	0.12
0400640HN	640 Hex Nut	0.305	0.12
0400832HN	832 Hex Nut	0.335	0.13
0401024HN	1024 Hex Nut	0.365	0.135
0401032HN	1032 Hex Nut	0.365	0.135
0401224HN	1224 Hex Nut	0.425	0.207
0410008HN	1-8 Hex Nut	1.47	0.87
0425020HN	1/4-20 Hex Nut	0.425	0.235
0425028HN	1/4-28 Hex Nut	0.425	0.235
0431218HN	5/16-18 Hex Nut	0.5	0.27
0431224HN	5/16-24 Hex Nut	0.5	0.27
0437516HN	3/8-16 Hex Nut	0.56	0.33
0437524HN	3/8-24 Hex Nut	0.56	0.33
0437532HN	3/8-32 Hex Nut	0.56	0.33
0443714HN	7/16-14 Hex Nut	0.685	0.38
0443720HN	7/16-20 Hex Nut	0.685	0.38
0450013HN	1/2-13 Hex Nut	0.75	0.43
0450020HN	1/2-20 Hex Nut	0.75	0.43
0462511HN	5/8-11 Hex Nut	0.925	0.55
0462518HN	5/8-18 Hex Nut	0.925	0.55

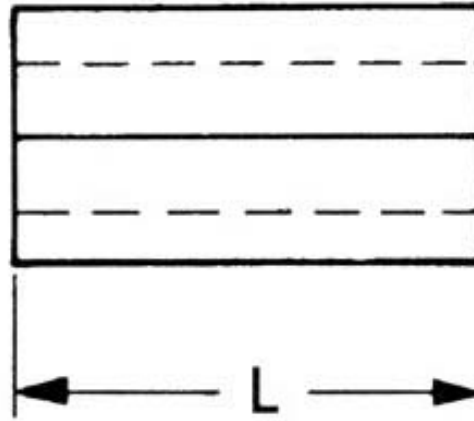
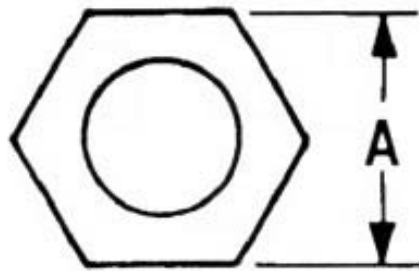
0468727HN	11/16-27 Hex Nut	1	0.25
0475010HN	3/4-10 Hex Nut	1.1	0.64
0487509HN	7/8-9 Hex Nut	1.28	0.75

Hex Socket Cap Mach. Screws



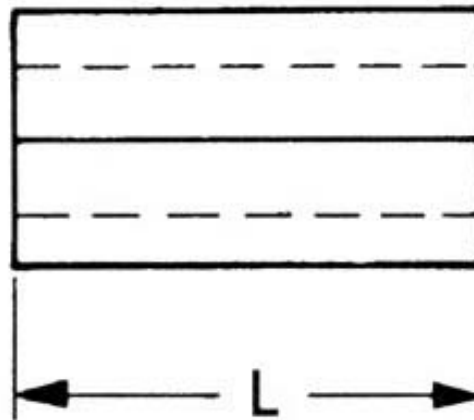
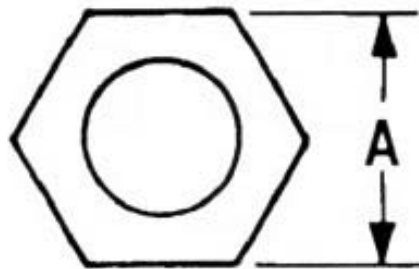
Item Number	Thread	Length
3404360050	436	0.5
3404400009	440	0.09375
3404400012	440	0.125
3404400014	440	0.141
3404400018	440	0.1875
3404400025	440	0.25
3404400028	440	0.281
3404400031	440	0.3125
3404400037	440	0.375
3404400043	440	0.4375
3404400050	440	0.5
3404400056	440	0.5625
3404400062	440	0.625
3404400068	440	0.6875
3404400075	440	0.75
3404400087	440	0.875
3404400100	440	1
3404400112	440	1.125
3404400125	440	1.25
3404400137	440	1.375
3404400150	440	1.5
3406320043	632	0.4375
3408320043	832	0.4375

Hex Nylon Spacers



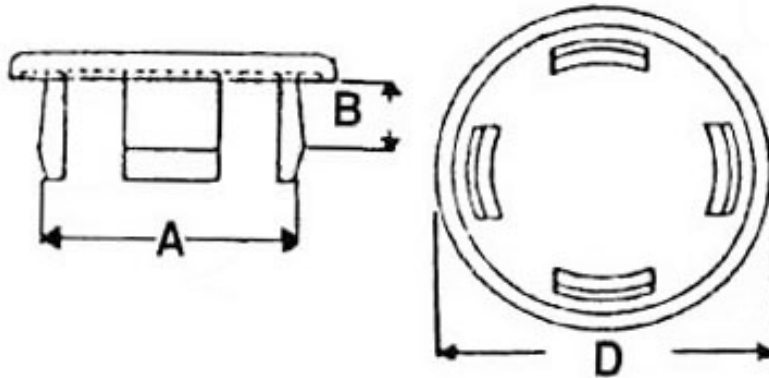
Item Number	Description	Self-Tapping Screw	I.D.	L	A
35HSP004	HSP 4	4	0.091	0.75	0.25
35HSP040	HSP 40	6	0.111	0.4375	0.25
35HSP041	HSP 41	8	0.134	0.672	0.25
35HSP104	HSP 104	4	0.091	0.4375	0.1875

Hex Nylon Tapped Spacers



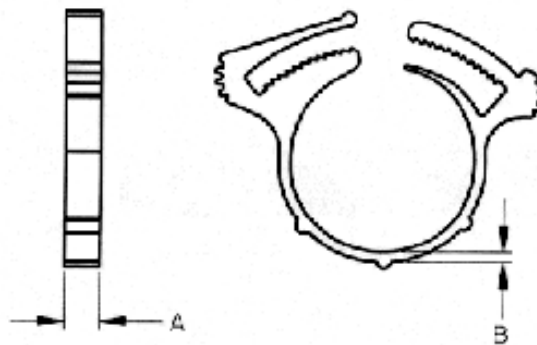
Item Number	Description	Tapped	L	A
14HTSP004	HTSP 4	4-40*	0.75	0.25
14HTSP040	HTSP 40	6-32	0.4375	0.25
14HTSP041	HTSP 41	8-32***	0.672	0.25
14HTSP104	HTSP 104	4-40*	0.4375	0.1875

Hole Plugs



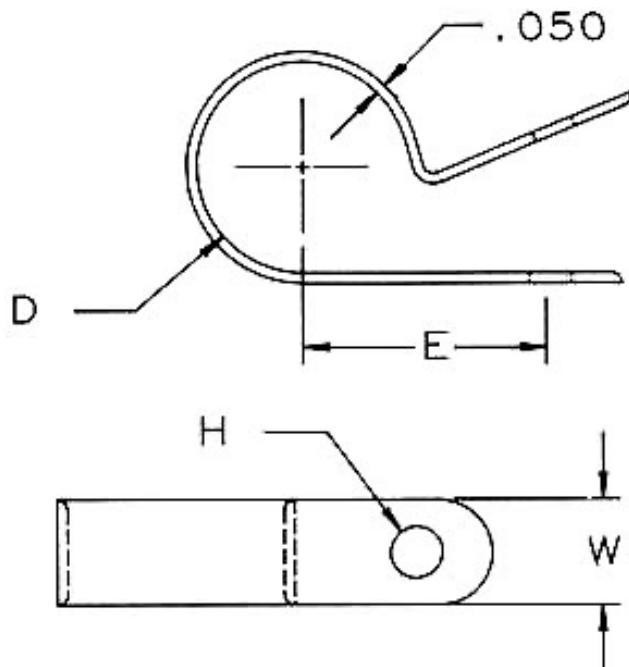
Item Number	Head Style	Finish	Panel Thickness B	Hole Size A	Head Size D	Head Height H (+/- .010)
62PP043BG17	Binder	Smooth	.031 / .171	0.437	0.609	0.055
62PP043BM17	Binder	Matte	.031 / .171	0.437	0.609	0.055
62PP048BM12	Binder	Matte	.031 / .039	0.48	0.578	0.055

Nylon Hose Clamps



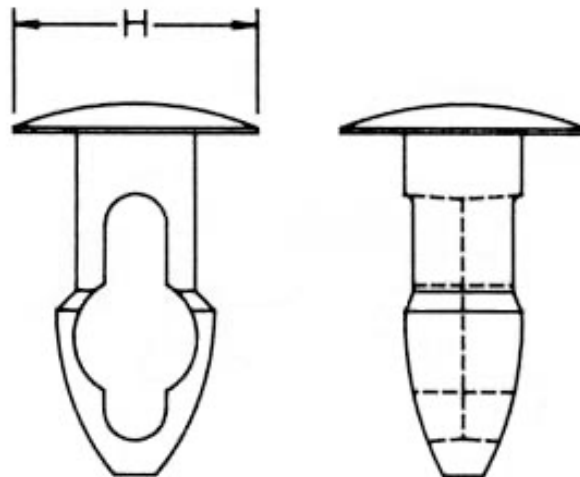
Item Number	Description	A	B (+/- .015)	Min.	Max.
22HSC0040	Hose Clamp	0.23	0.07	0.404	0.452

Heavy Duty Cable Clamps



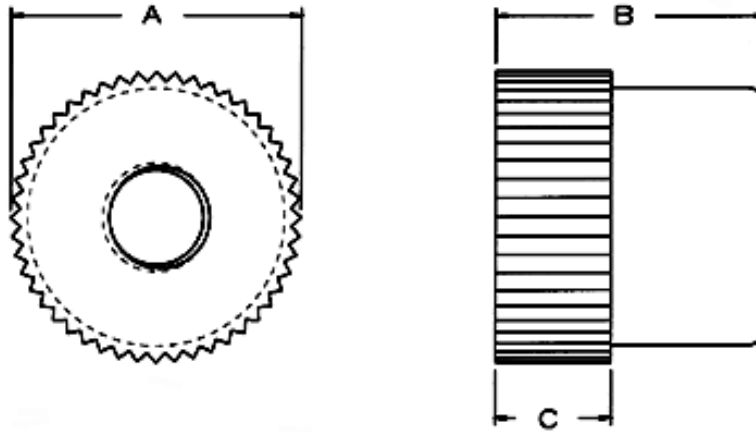
Item Number	Description	D	W	H (+/-.015)	E (+/-.015)
22CC50C0437	Heavy Duty Cable Clamp	0.4375	0.5	0.167	0.56
22CC50D0437	Heavy Duty Cable Clamp	0.4375	0.5	0.203	0.56

Nylon Key-Hole Clips



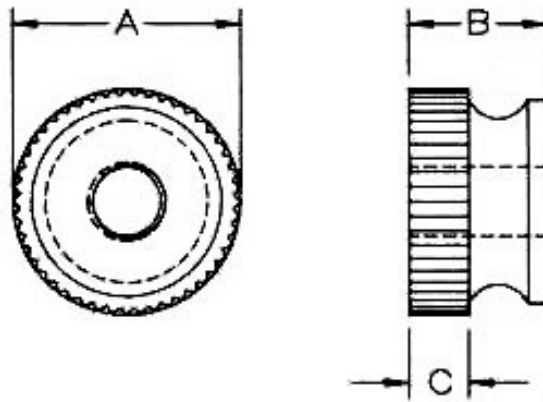
Item Number	Description	H Head Diameter	Hole Size	Panel Thickness
27KY2500406	Key Hole Clip	0.5	0.25	0.406
27KY2500437	Key Hole Clip	0.5	0.25	0.437
27KY2500468	Key Hole Clip	0.5	0.25	0.468
27KY2810406	Key Hole Clip	0.5	0.281	0.406

Knurled Thumb Nuts "A"



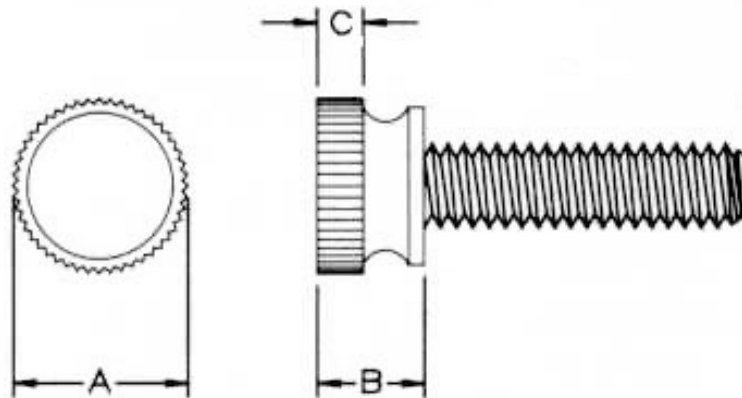
Item Number	Description	A (+/- .010)	B (+/- .010)	C
0800440TNA	440 Thumb Nut "A"	0.3	0.28	0.12

Nylon Knurled Thumb Nuts



Item Number	Description	A (+/- .010)	B (+/- .010)	C
0800440TN	440 Thumb Nut	0.3	0.28	0.125

Knurled Head Thumb Screws

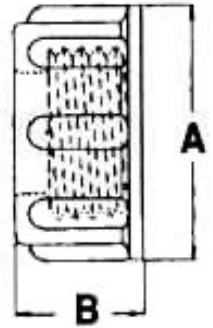
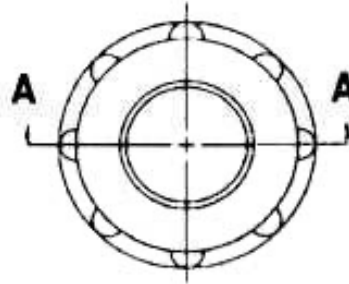
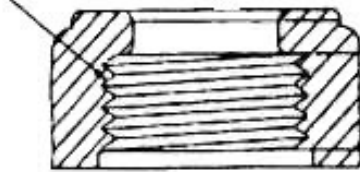


Item Number	Thread	Length
090440018T	440	0.1875
090440025T	440	0.25

090440037T	440	0.375
090440050T	440	0.5
090440075T	440	0.75

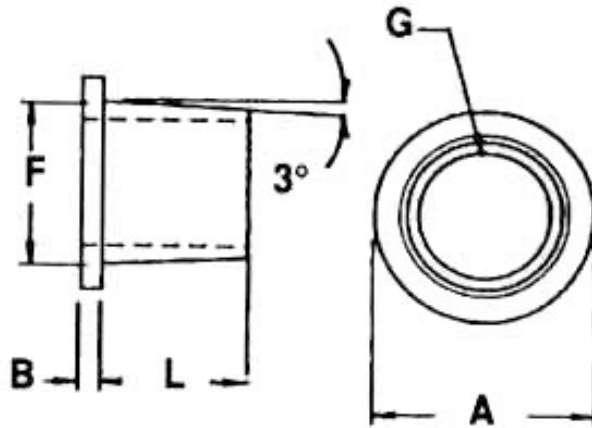
Threaded Lampcord Bushing

STRAIGHT PIPE THREAD



Item Number	Description	A	B
04MP0125TLB	1/8 NPS	0.594	0.281
04MP0250TLB	1/4 NPS	0.719	0.375
04MP0375TLB	3/8 NPS	0.875	0.4375
04MP0500TLB	1/2 NPS	1.0625	0.375

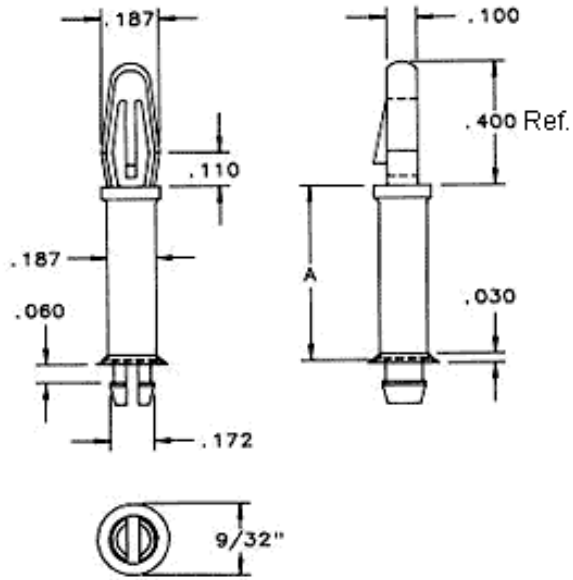
Lamp Snap Bushings



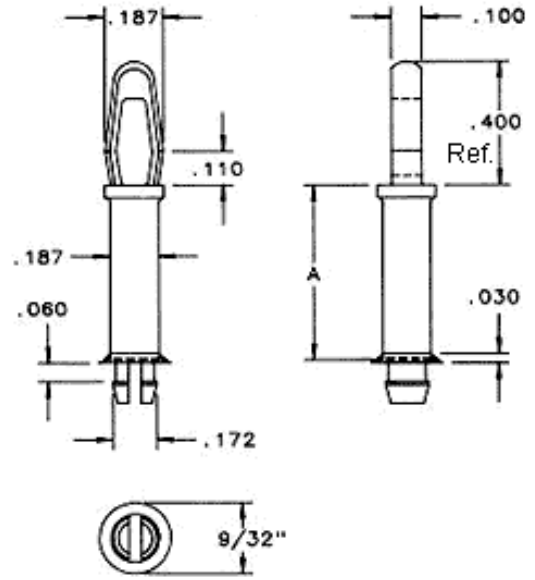
Item Number	Description	L	A	B	F	G
04MP0125SB	1/8" Snap	0.25	0.375	0.031	0.29	0.23
04MP0250SB	1/4" Snap	0.469	0.422	0.031	0.375	0.312

PCB Support LCSP-TCSP Series

LCSP Series



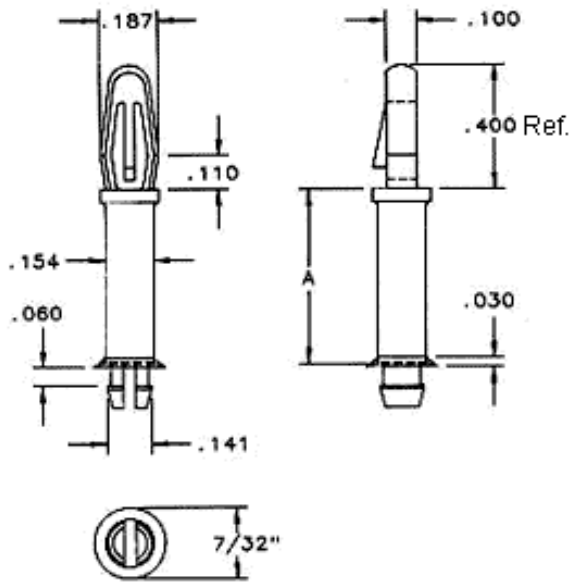
TCSP Series



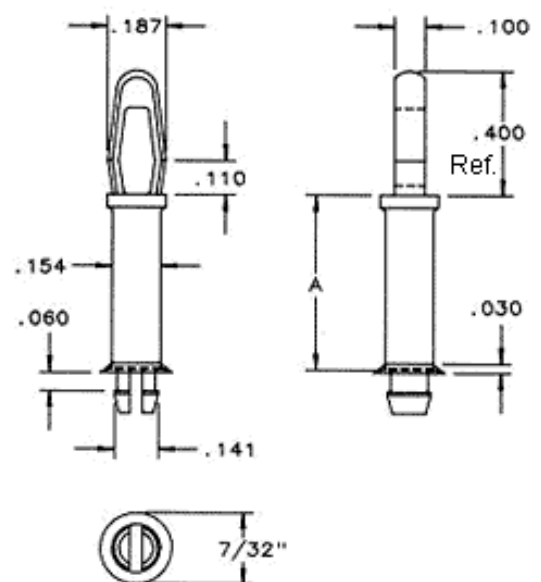
Item Number	Description	A
27LCSP00437	LCSP 437	0.437
27TCSP00437	TCSP 437	0.437

PCB Support LMSP/TMSP Series

LMSP Series

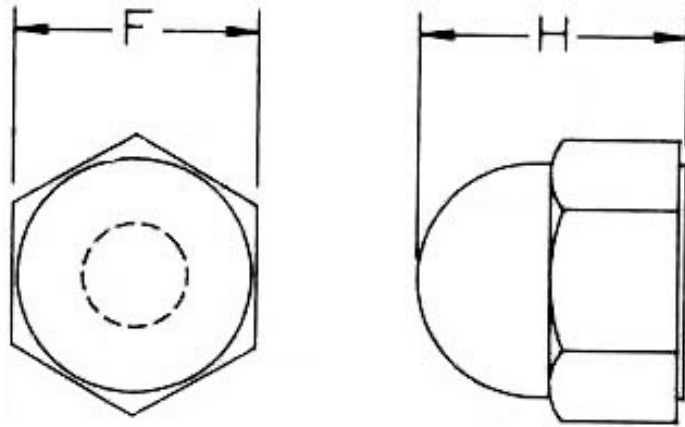


TMSP Series



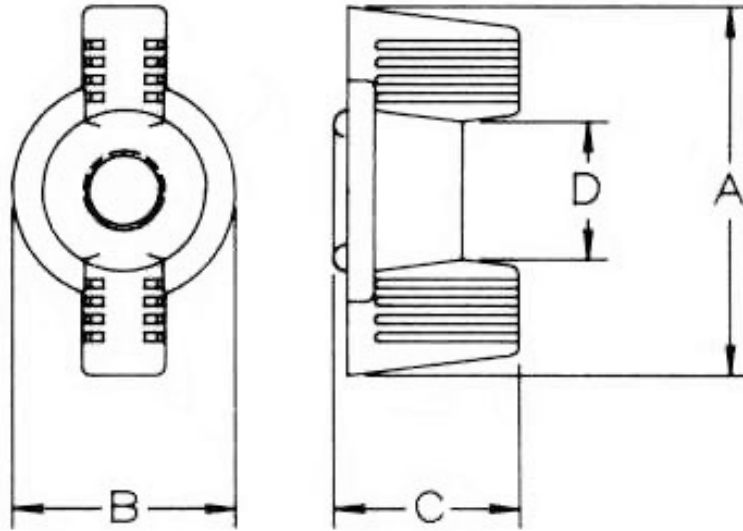
Item Number	Description	A
27LMSP00437	LMSP 437	0.437
27TMSP00437	TMSP 437	0.437

Nylon Locking Cap Nuts



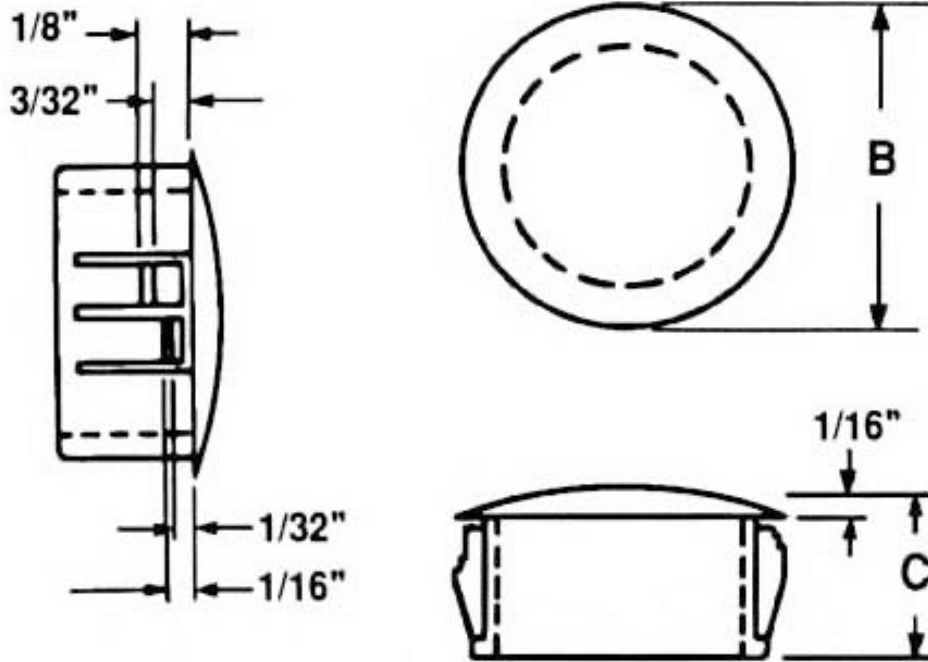
Item Number	Description	F	H* REF.
0500440LCN	440 Locking Cap Nut	0.25	0.28

Nylon Locking Deco Wing Nuts



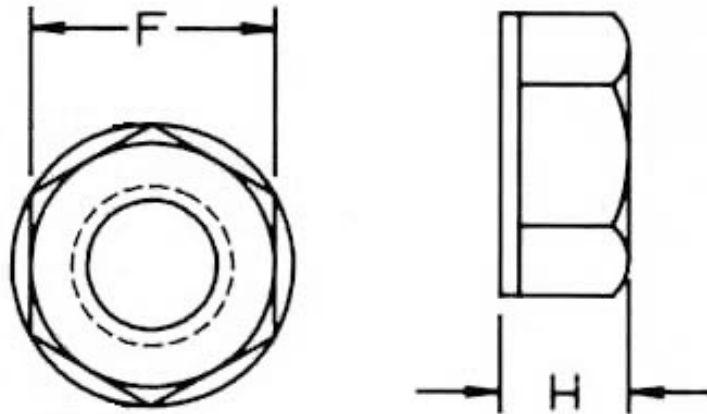
Item Number	Description	A (Ref.)	B	C	D
0600440DLWN	440 Locking Deco Wing Nut	0.625	0.375	0.3125	0.234

Locking Hole Plugs



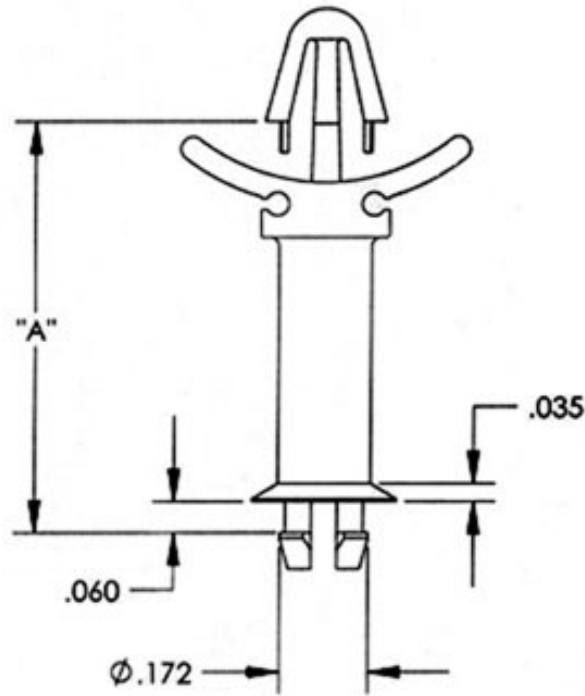
Item Number	Packaged Qty.	Hole Diameter	Maximum Thickness	Head Diameter B (+/- .015)	Thickness C (+/- .015)
62MP0437	1000	0.437	0.125	0.531	0.406

Nylon Lock Nuts



Item Number	Description	F	H
0700440LN	440 Lock Nut	0.25	0.18

PCB Support LSP Series



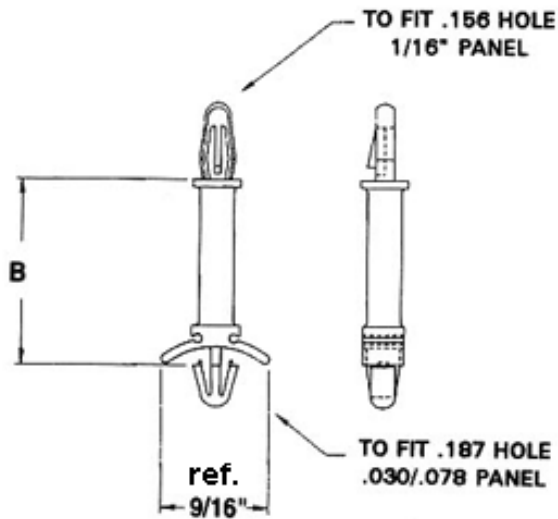
MSP end fits a .156" hole
 Locking end fits a .187" hole
 Panel thickness .030 / .078

Item Number	Description	A*
27LSP00437	LSP 437	0.557

PCB Support LLP-LTP Series

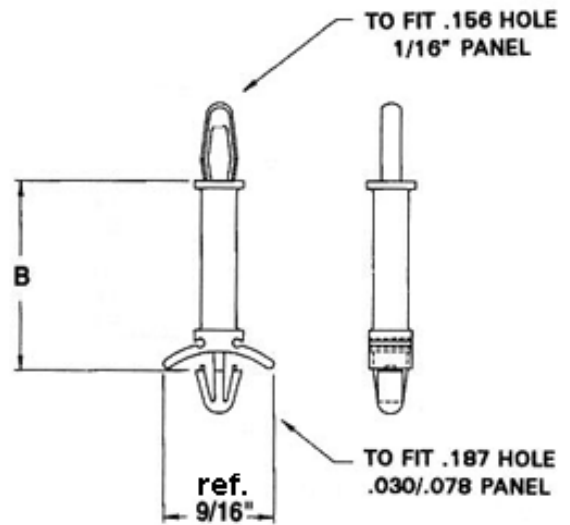
LLP Series

The LLP Series is designed to securely lock both the chassis end and the printed circuit board on top.



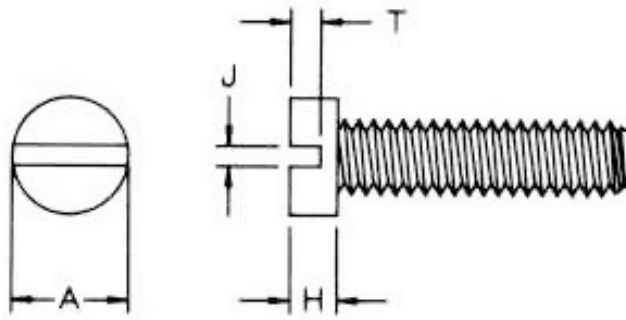
LTP Series

The LTP Series is designed to securely lock to the bottom chassis and snap into the top board



Item Number	Description	B
27LLP0437	7/16" Lock/Lock	0.557
27LTP0437	7/16" Lock/Tension	0.557

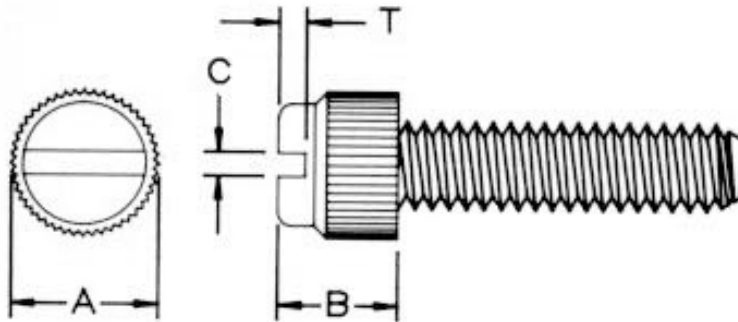
Slit Cheese Metric Mach Screw



Item Number	Thread	Length
50M020040D004	M2 X .4	4MM
50M020040D005	M2 X .4	5MM
50M020040D006	M2 X .4	6MM
50M020040D008	M2 X .4	8MM
50M020040D010	M2 X .4	10MM
50M020040D012	M2 X .4	12MM
50M020040D016	M2 X .4	16MM
50M020040D020	M2 X .4	20MM
50M020040D025	M2 X .4	25MM
50M025045D004	M2.5 X .45	4MM
50M025045D005	M2.5 X .45	5MM
50M025045D006	M2.5 X .45	6MM
50M025045D008	M2.5 X .45	8MM
50M025045D010	M2.5 X .45	10MM
50M025045D012	M2.5 X .45	12MM
50M025045D016	M2.5 X .45	16MM
50M025045D020	M2.5 X .45	20MM
50M025045D025	M2.5 X .45	25MM
50M030050D004	M3 X .5	4MM
50M030050D042	M3 X .5	42MM
50M035060D042	M3.5 X .6	42MM
50M040070D004	M4 X .7	4MM
50M040070D006	M4 X .7	6MM
50M040070D008	M4 X .7	8MM
50M040070D010	M4 X .7	10MM
50M040070D012	M4 X .7	12MM

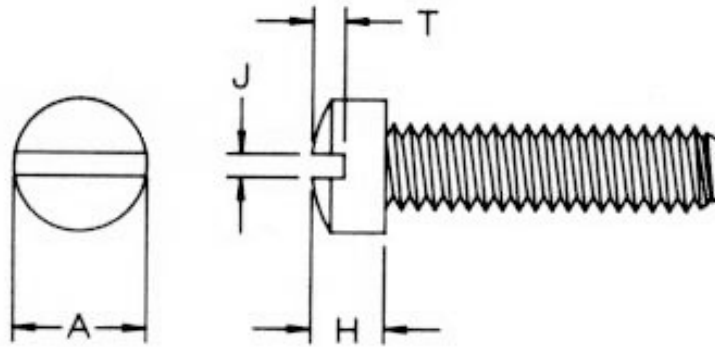
50M040070D016	M4 X .7	16MM
50M040070D020	M4 X .7	20MM
50M040070D025	M4 X .7	25MM
50M040070D030	M4 X .7	30MM
50M040070D035	M4 X .7	35MM
50M040070D040	M4 X .7	40MM
50M050080D040	M5 X .8	40MM
50M060100D040	M6 X 1.00	40MM
50M060100D045	M6 X 1.00	45MM

Metric Econ Gde Thumb Screw



Item Number	Thread	Length
50M030050T004	M3 X .5	4MM
50M030050T042	M3 X .5	42MM
50M040070T003	M4 X .7	3MM
50M040070T006	M4 X .7	6MM
50M040070T008	M4 X .7	8MM
50M040070T010	M4 X .7	10MM
50M040070T012	M4 X .7	12MM
50M040070T016	M4 X .7	16MM
50M040070T020	M4 X .7	20MM
50M040070T025	M4 X .7	25MM
50M040070T030	M4 X .7	30MM
50M040070T035	M4 X .7	35MM
50M040070T040	M4 X .7	40MM
50M050080T040	M5 X .8	40MM
50M060100T040	M6 X 1.00	40MM
50M060100T045	M6 X 1.00	45MM

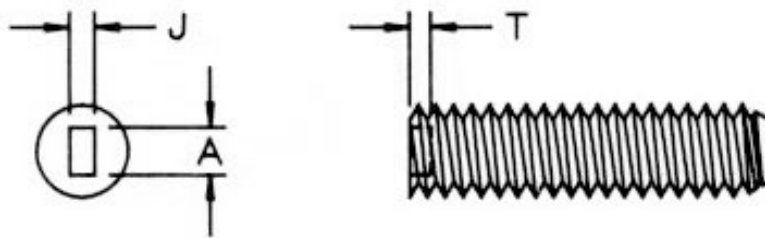
Slit Fillister Metric Mach. Screw



Item Number	Thread	Length
50M020040F004	M2 X .4	4MM
50M020040F005	M2 X .4	5MM
50M020040F006	M2 X .4	6MM
50M020040F008	M2 X .4	8MM
50M020040F010	M2 X .4	10MM
50M020040F012	M2 X .4	12MM
50M020040F016	M2 X .4	16MM
50M020040F020	M2 X .4	20MM
50M020040F025	M2 X .4	25MM
50M025045F004	M2.5 X .45	4MM
50M025045F005	M2.5 X .45	5MM
50M025045F006	M2.5 X .45	6MM
50M025045F008	M2.5 X .45	8MM
50M025045F010	M2.5 X .45	10MM
50M025045F012	M2.5 X .45	12MM
50M025045F016	M2.5 X .45	16MM
50M025045F020	M2.5 X .45	20MM
50M025045F025	M2.5 X .45	25MM
50M030050F004	M3 X .5	4MM
50M030050F042	M3 X .5	42MM
50M035060F042	M3.5 X .6	42MM
50M040070F003	M4 X .7	3MM
50M040070F006	M4 X .7	6MM
50M040070F008	M4 X .7	8MM
50M040070F010	M4 X .7	10MM
50M040070F012	M4 X .7	12MM

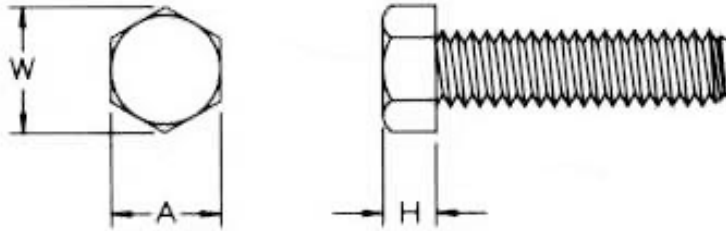
50M040070F016	M4 X .7	16MM
50M040070F020	M4 X .7	20MM
50M040070F025	M4 X .7	25MM
50M040070F030	M4 X .7	30MM
50M040070F035	M4 X .7	35MM
50M040070F040	M4 X .7	40MM
50M050080F040	M5 X .8	40MM
50M060100F040	M6 X 1.00	40MM
50M060100F045	M6 X 1.00	45MM

Metric Slotted Grub Screws



Item Number	Thread	Length
50M040070R003	M4 X .7	3MM
50M040070R004	M4 X .7	4MM
50M040070R006	M4 X .7	6MM
50M040070R008	M4 X .7	8MM
50M040070R010	M4 X .7	10MM
50M040070R012	M4 X .7	12MM
50M040070R016	M4 X .7	16MM
50M040070R020	M4 X .7	20MM
50M040070R025	M4 X .7	25MM
50M040070R030	M4 X .7	30MM
50M040070R035	M4 X .7	35MM
50M040070R040	M4 X .7	40MM
50M050080R040	M5 X .8	40MM
50M060100R045	M6 X 1.00	45MM

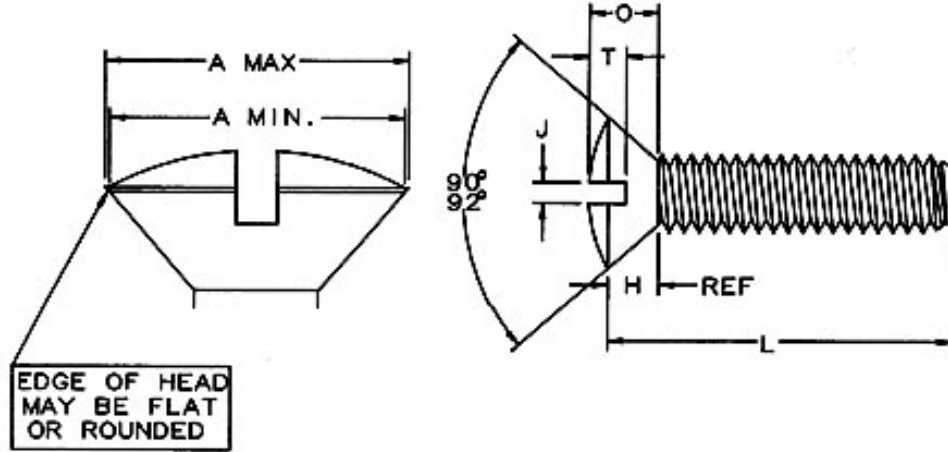
Metric Hex Machine Screws



Item Number	Thread	Length
50M020040J004	M2 X .4	4MM
50M020040J005	M2 X .4	5MM
50M020040J006	M2 X .4	6MM
50M020040J008	M2 X .4	8MM
50M020040J010	M2 X .4	10MM
50M020040J012	M2 X .4	12MM
50M020040J016	M2 X .4	16MM
50M020040J020	M2 X .4	20MM
50M020040J025	M2 X .4	25MM
50M025045J004	M2.5 X .45	4MM
50M025045J005	M2.5 X .45	5MM
50M025045J006	M2.5 X .45	6MM
50M025045J008	M2.5 X .45	8MM
50M025045J010	M2.5 X .45	10MM
50M025045J012	M2.5 X .45	12MM
50M025045J016	M2.5 X .45	16MM
50M025045J020	M2.5 X .45	20MM
50M025045J025	M2.5 X .45	25MM
50M030050J004	M3 X .5	4MM
50M030050J042	M3 X .5	42MM
50M035060J042	M3.5 X .6	42MM
50M040070J006	M4 X .7	6MM
50M040070J008	M4 X .7	8MM
50M040070J010	M4 X .7	10MM
50M040070J012	M4 X .7	12MM
50M040070J016	M4 X .7	16MM
50M040070J020	M4 X .7	20MM
50M040070J025	M4 X .7	25MM
50M040070J030	M4 X .7	30MM

50M040070J035	M4 X .7	35MM
50M040070J040	M4 X .7	40MM
50M050080J040	M5 X .8	40MM
50M060100J040	M6 X 1.00	40MM
50M060100J045	M6 X 1.00	45MM
50M080125J040	M8 X 1.25	40MM
50M120175J040	M12 X 1.75	40MM

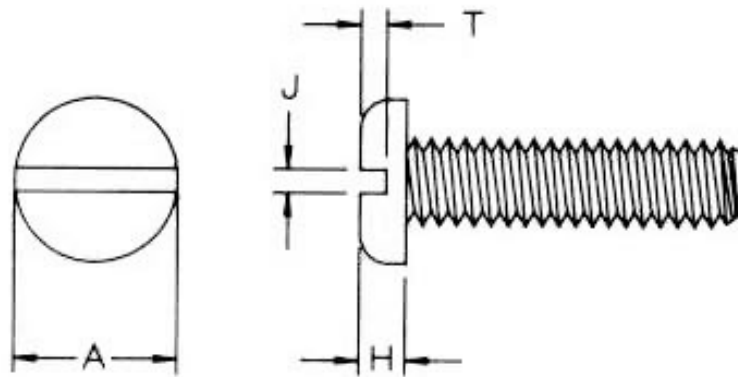
Metric Slit Oval Machine Screw



Item Number	Thread	Length
50M020040L004	M2 X .4	4MM
50M020040L005	M2 X .4	5MM
50M020040L006	M2 X .4	6MM
50M020040L008	M2 X .4	8MM
50M020040L010	M2 X .4	10MM
50M020040L011	M2 X .4	11MM
50M020040L012	M2 X .4	12MM
50M020040L016	M2 X .4	16MM
50M020040L025	M2 X .4	25MM
50M025045L004	M2.5 X .45	4MM
50M025045L005	M2.5 X .45	5MM
50M025045L006	M2.5 X .45	6MM
50M025045L008	M2.5 X .45	8MM
50M025045L010	M2.5 X .45	10MM
50M025045L012	M2.5 X .45	12MM
50M025045L016	M2.5 X .45	16MM
50M025045L020	M2.5 X .45	20MM

50M025045L025	M2.5 X .45	25MM
50M030050L042	M3 X .5	42MM
50M040070L006	M4 X .7	6MM
50M040070L008	M4 X .7	8MM
50M040070L010	M4 X .7	10MM
50M040070L012	M4 X .7	12MM
50M040070L015	M4 X .7	15MM
50M040070L016	M4 X .7	16MM
50M040070L020	M4 X .7	20MM
50M040070L025	M4 X .7	25MM
50M040070L030	M4 X .7	30MM
50M040070L035	M4 X .7	35MM
50M050080L040	M5 X .8	40MM
50M060100L040	M6 X 1.00	40MM
50M060100L045	M6 X 1.00	45MM

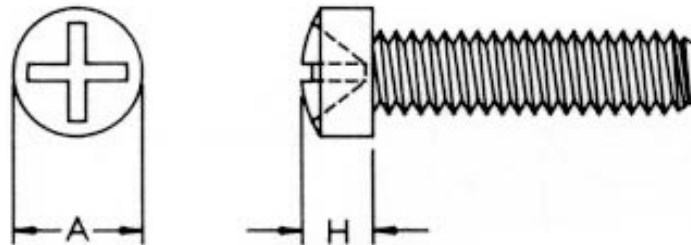
Pan Slt Metric Machine Screw



Item Number	Thread	Length
50M020040N003	M2 X .4	3MM
50M020040N004	M2 X .4	4MM
50M020040N005	M2 X .4	5MM
50M020040N006	M2 X .4	6MM
50M020040N008	M2 X .4	8MM
50M020040N010	M2 X .4	10MM
50M020040N012	M2 X .4	12MM
50M020040N016	M2 X .4	16MM
50M020040N020	M2 X .4	20MM
50M020040N025	M2 X .4	25MM

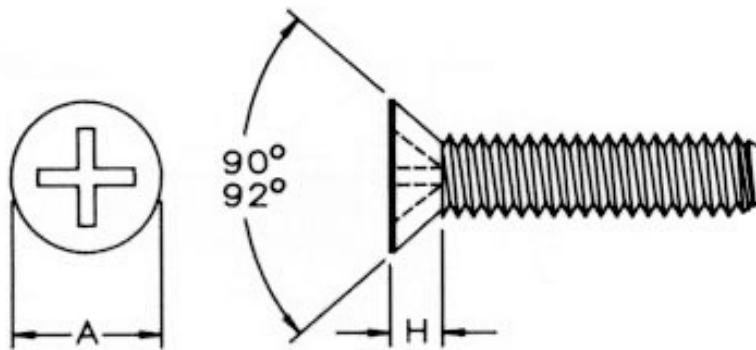
50M025045N004	M2.5 X .45	4MM
50M025045N005	M2.5 X .45	5MM
50M025045N006	M2.5 X .45	6MM
50M025045N008	M2.5 X .45	8MM
50M025045N010	M2.5 X .45	10MM
50M025045N012	M2.5 X .45	12MM
50M025045N016	M2.5 X .45	16MM
50M025045N020	M2.5 X .45	20MM
50M025045N025	M2.5 X .45	25MM
50M030050N004	M3 X .5	4MM
50M030050N042	M3 X .5	42MM
50M035060N042	M3.5 X .6	42MM
50M040070N003	M4 X .7	3MM
50M040070N006	M4 X .7	6MM
50M040070N008	M4 X .7	8MM
50M040070N010	M4 X .7	10MM
50M040070N012	M4 X .7	12MM
50M040070N016	M4 X .7	16MM
50M040070N020	M4 X .7	20MM
50M040070N025	M4 X .7	25MM
50M040070N030	M4 X .7	30MM
50M040070N035	M4 X .7	35MM
50M040070N040	M4 X .7	40MM
50M050080N040	M5 X .8	40MM
50M060100N040	M6 X 1.00	40MM
50M060100N045	M6 X 1.00	45MM

Metric Fill Phillips Mach Scr



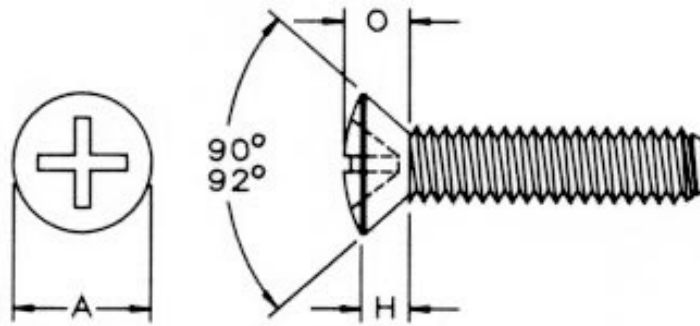
Item Number	Thread	Length
-------------	--------	--------

50M020040G004	M2 X .4	4MM
50M020040G005	M2 X .4	5MM
50M020040G006	M2 X .4	6MM
50M020040G008	M2 X .4	8MM
50M020040G010	M2 X .4	10MM
50M020040G012	M2 X .4	12MM
50M020040G016	M2 X .4	16MM
50M020040G020	M2 X .4	20MM
50M020040G025	M2 X .4	25MM
50M025045G004	M2.5 X .45	4MM
50M025045G005	M2.5 X .45	5MM
50M025045G006	M2.5 X .45	6MM
50M025045G008	M2.5 X .45	8MM
50M025045G010	M2.5 X .45	10MM
50M025045G012	M2.5 X .45	12MM
50M025045G016	M2.5 X .45	16MM
50M025045G020	M2.5 X .45	20MM
50M025045G025	M2.5 X .45	25MM
50M030050G004	M3 X .5	4MM
50M030050G042	M3 X .5	42MM
50M035060G042	M3.5 X .6	42MM
50M040070G003	M4 X .7	3MM
50M040070G006	M4 X .7	6MM
50M040070G008	M4 X .7	8MM
50M040070G010	M4 X .7	10MM
50M040070G012	M4 X .7	12MM
50M040070G016	M4 X .7	16MM
50M040070G020	M4 X .7	20MM
50M040070G025	M4 X .7	25MM
50M040070G030	M4 X .7	30MM
50M040070G035	M4 X .7	35MM
50M040070G040	M4 X .7	40MM
50M050080G040	M5 X .8	40MM
50M060100G040	M6 X 1.00	40MM
50M060100G045	M6 X 1.00	45MM
Metric Phil Flat Mach Screw		



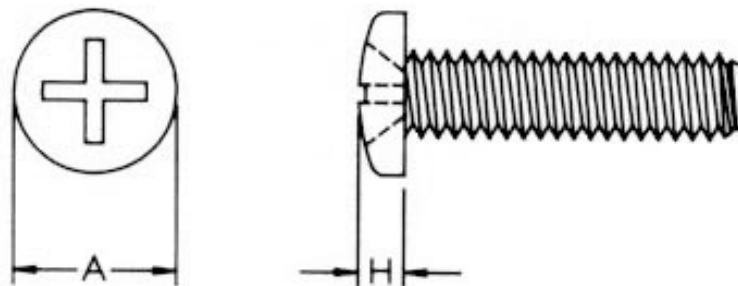
Item Number	Thread	Length
50M025045I004	M2.5 X .45	4MM
50M025045I005	M2.5 X .45	5MM
50M025045I006	M2.5 X .45	6MM
50M025045I008	M2.5 X .45	8MM
50M025045I010	M2.5 X .45	10MM
50M025045I012	M2.5 X .45	12MM
50M025045I016	M2.5 X .45	16MM
50M025045I020	M2.5 X .45	20MM
50M025045I025	M2.5 X .45	25MM
50M040070I006	M4 X .7	6MM
50M040070I008	M4 X .7	8MM
50M040070I010	M4 X .7	10MM
50M040070I012	M4 X .7	12MM
50M040070I016	M4 X .7	16MM
50M040070I020	M4 X .7	20MM
50M040070I025	M4 X .7	25MM
50M050080I040	M5 X .8	40MM
50M060100I045	M6 X 1.00	45MM

Metric Phil Oval Mach Screw



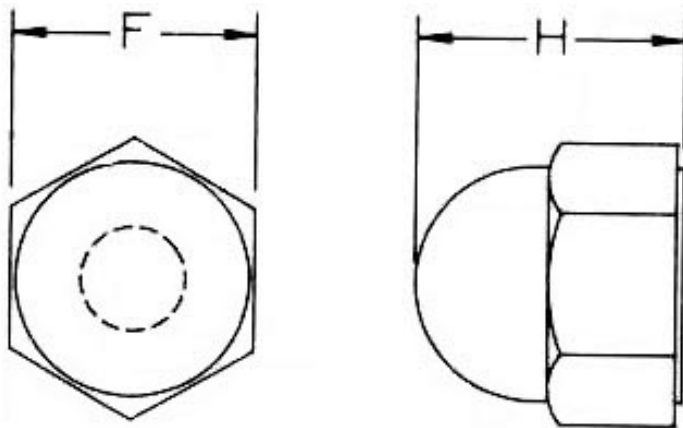
Item Number	Thread	Length
50M025045M004	M2.5 X .45	4MM
50M025045M005	M2.5 X .45	5MM
50M025045M006	M2.5 X .45	6MM
50M025045M008	M2.5 X .45	8MM
50M025045M010	M2.5 X .45	10MM
50M025045M012	M2.5 X .45	12MM
50M025045M016	M2.5 X .45	16MM
50M025045M020	M2.5 X .45	20MM
50M025045M025	M2.5 X .45	25MM
50M040070M006	M4 X .7	6MM
50M040070M008	M4 X .7	8MM
50M040070M010	M4 X .7	10MM
50M040070M012	M4 X .7	12MM
50M040070M016	M4 X .7	16MM
50M040070M020	M4 X .7	20MM
50M040070M025	M4 X .7	25MM
50M050080M040	M5 X .8	40MM
50M060100M045	M6 X 1.00	45MM

Pan Phil Metric Mach Screw



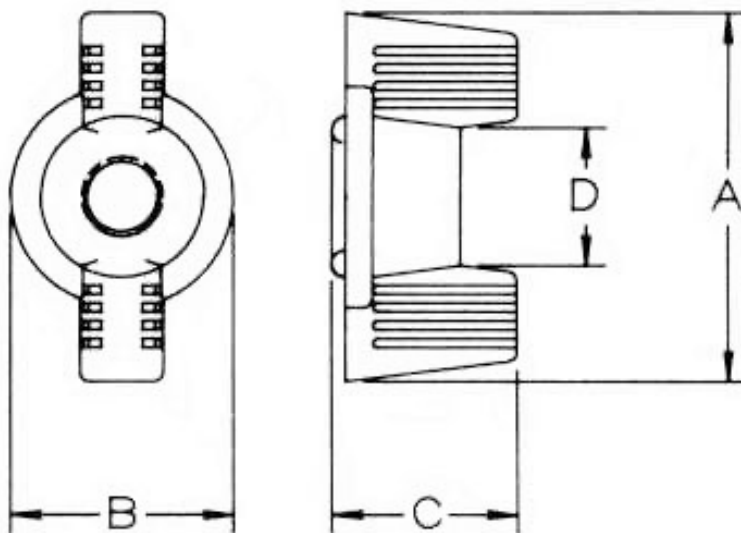
Item Number	Thread	Length
50M020040P004	M2 X .4	4MM
50M020040P005	M2 X .4	5MM
50M020040P006	M2 X .4	6MM
50M020040P008	M2 X .4	8MM
50M020040P010	M2 X .4	10MM
50M020040P012	M2 X .4	12MM
50M020040P016	M2 X .4	16MM
50M020040P020	M2 X .4	20MM
50M020040P025	M2 X .4	25MM
50M025045P004	M2.5 X .45	4MM
50M025045P005	M2.5 X .45	5MM
50M025045P006	M2.5 X .45	6MM
50M025045P008	M2.5 X .45	8MM
50M025045P010	M2.5 X .45	10MM
50M025045P012	M2.5 X .45	12MM
50M025045P016	M2.5 X .45	16MM
50M025045P020	M2.5 X .45	20MM
50M025045P025	M2.5 X .45	25MM
50M030050P004	M3 X .5	4MM
50M030050P042	M3 X .5	42MM
50M035060P042	M3.5 X .6	42MM
50M040070P003	M4 X .7	3MM
50M040070P006	M4 X .7	6MM
50M040070P008	M4 X .7	8MM
50M040070P010	M4 X .7	10MM
50M040070P012	M4 X .7	12MM
50M040070P016	M4 X .7	16MM
50M040070P020	M4 X .7	20MM
50M040070P025	M4 X .7	25MM
50M040070P030	M4 X .7	30MM
50M040070P035	M4 X .7	35MM
50M040070P040	M4 X .7	40MM
50M050080P040	M5 X .8	40MM
50M060100P040	M6 X 1.00	40MM
50M060100P045	M6 X 1.00	45MM

Metric Nylon Cap Nuts



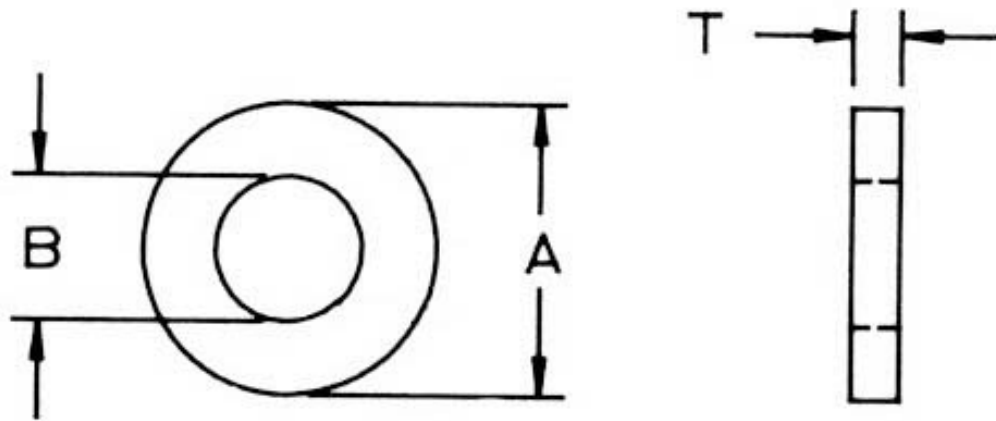
Item Number	Description	F	H* REF.
05M040070CN	M4 X 0.7	7	8

Metric Deco Locking Wing Nut



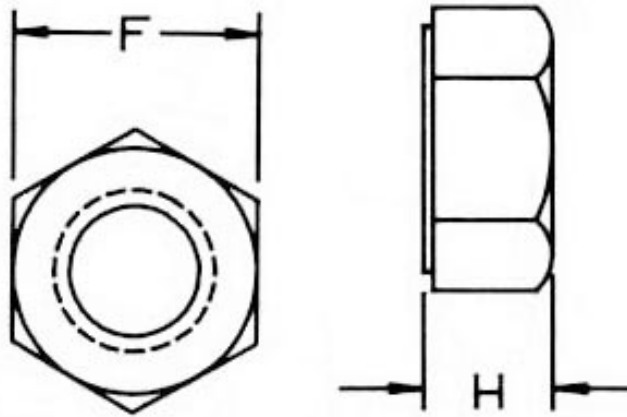
Item Number	Description	A (Ref.)	B	C	D
06M040070DLWN	M4 X 0.7	16	9.5	8	6
06M040070DWN	M4 X 0.7	16	9.5	8	6

Metric Flat Washers



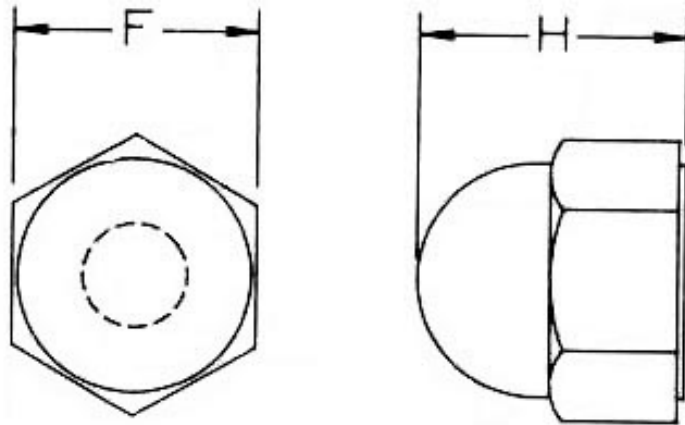
Item Number	Description	A	B	T
16M04090080	M4	9	4.3	0.8

Metric Nylon Hex Nuts



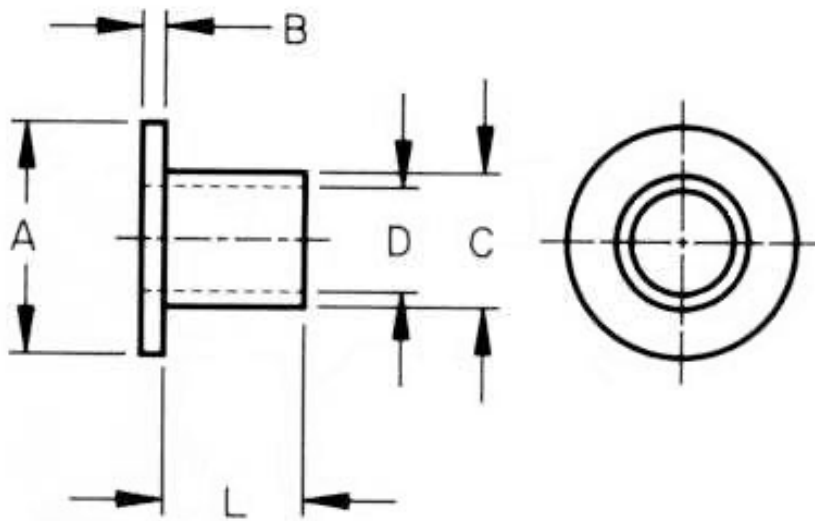
Item Number	Description	F	H
04M020040HN	M2 X 0.4	3.9	1.2
04M025045HN	M2.5 X 0.45	4.9	1.8
04M030050HN	M3 X 0.5	5.4	2.2
04M035060HN	M3.5 X 0.6	6.9	2.7
04M040070HN	M4 X 0.7	6.9	3
04M050080HN	M5 X 0.8	7.9	4.3
04M060100HN	M6 X 1.0	10	5.4
04M080125HN	M8 X 1.25	12.9	6.4
04M100150HN	M10 X 1.50	14.8	9.8
04M120175HN	M12 X 1.75	17.74	10.54

Metric Locking Cap Nuts



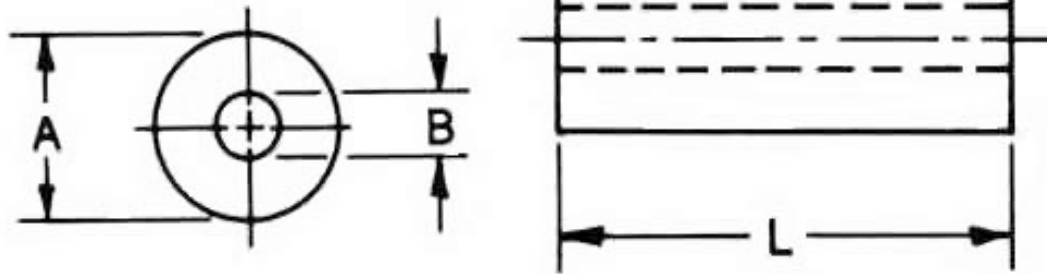
Item Number	Description	F	H* REF.
05M040070LCN	M4 X 0.7	7	8

Nylon Metric Screw Insulators



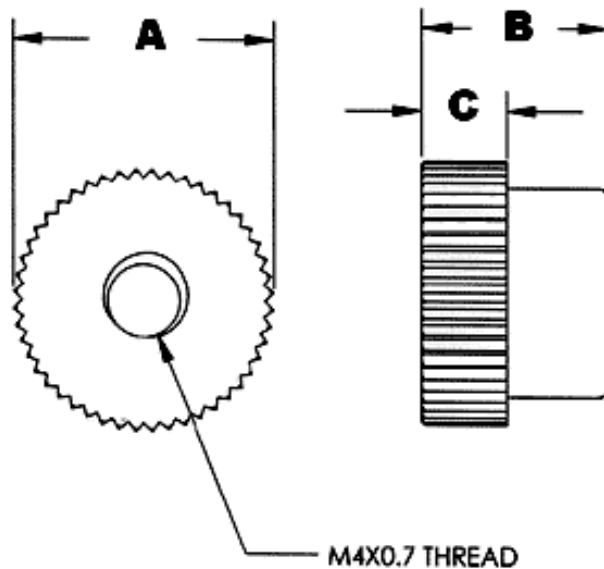
Item Number	Description	L	A	B	C	D
10SCM002004	SCM 2 X 4	4	4.2	1	3	2.1
10SCM003004	SCM 3 X 4	4	6.2	1	4	3.1
10SCM004003	SCM 4 X 3	3	8.4	1.5	6	4.1
10SCM004004	SCM 4 X 4	4	8.4	1.5	6	4.1
10SCM004005	SCM 4 X 5	5	8.4	1.5	6	4.1
10SCM004007	SCM 4 X 7	7	8.4	1.5	6	4.1
10SCM004009	SCM 4 X 9	9	8.4	1.5	6	4.1
10SCM005004	SCM 5 X 4	4	10.2	2	7	5.1
10SCM006004	SCM 6 X 4	4	12.2	2	8	6.1
10SCM008004	SCM 8 X 4	4	14.2	2.5	10	8.1

Metric Nylon Spacers



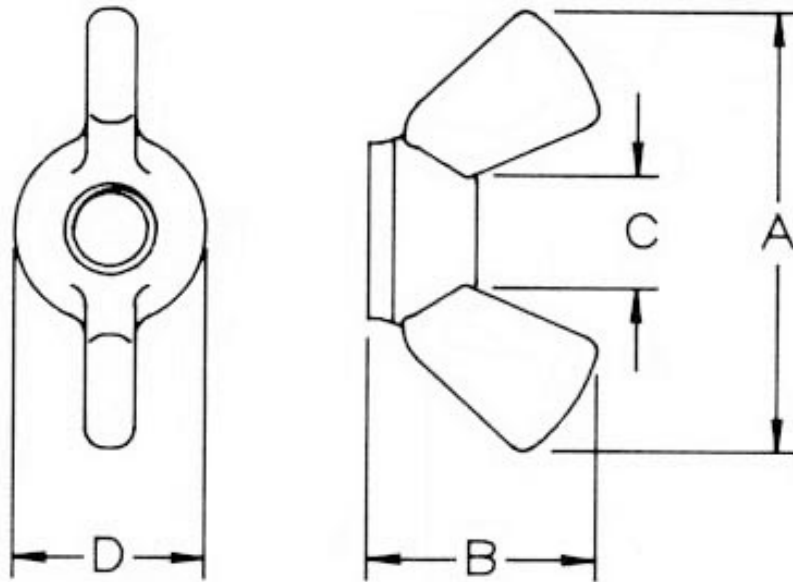
Item Number	Description	A (+/- .38MM)	B (+/- .26MM)	L (+/- .38MM)
13ME004	ME 4	4	2.6	7.5
13ME040	ME 40	8	3.2	15
13ME041	ME 41	8	3.2	20
13ME044	ME 44	6	3.6	3
13ME045	ME 45	6	3.6	5
13ME046	ME 46	6	3.6	7.5
13ME047	ME 47	6	3.6	10
13ME048	ME 48	6	3.6	15
13ME049	ME 49	6	3.6	20
13ME104	ME 104	15	10.4	15

Metric Nylon Thumb Nuts



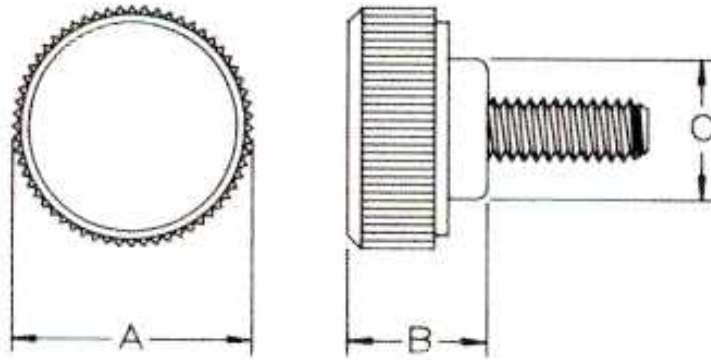
Item Number	Description	A	B	C
08M040070TN	M4 X 0.7	10.8	7.7	3.5

Metric Nylon Wing Nuts



Item Number	Description	A (Ref.)	B	C	D
06M040070WN	M4 X 0.7	22.8	12.2	5.8	10.2

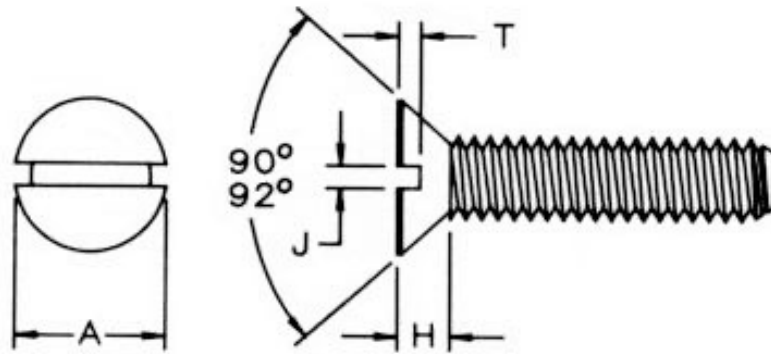
Metric Round Head Screw



Item Number	Screw Size	Screw Length	Head Dia.
29M50080R040B	M5	40MM	0.625
29M50080R040BL	M5	40MM	0.625
29M50080R040GR	M5	40MM	0.625
29M50080R040RD	M5	40MM	0.625
29M50080R040WT	M5	40MM	0.625
29M60100R040B	M6	40MM	0.75
29M60100R040BL	M6	40MM	0.75
29M60100R040GR	M6	40MM	0.75
29M60100R040RD	M6	40MM	0.75
29M60100R040WT	M6	40MM	0.75
29M61100R040B	M6	40MM	1
29M61100R040BL	M6	40MM	1

29M61100R040GR	M6	40MM	1
29M61100R040RD	M6	40MM	1
29M61100R040WT	M6	40MM	1
29M80125R040B	M8	40MM	1
29M80125R040BL	M8	40MM	1
29M80125R040GR	M8	40MM	1
29M80125R040RD	M8	40MM	1
29M80125R040WT	M8	40MM	1

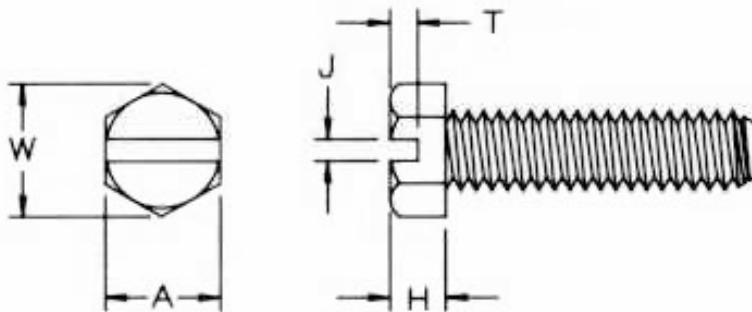
Metric Slit Flat Mach Screw



Item Number	Thread	Length
50M020040H004	M2 X .4	4MM
50M020040H005	M2 X .4	5MM
50M020040H006	M2 X .4	6MM
50M020040H008	M2 X .4	8MM
50M020040H010	M2 X .4	10MM
50M020040H011	M2 X .4	11MM
50M020040H012	M2 X .4	12MM
50M020040H016	M2 X .4	16MM
50M020040H025	M2 X .4	25MM
50M025045H004	M2.5 X .45	4MM
50M025045H005	M2.5 X .45	5MM
50M025045H006	M2.5 X .45	6MM
50M025045H008	M2.5 X .45	8MM
50M025045H010	M2.5 X .45	10MM
50M025045H012	M2.5 X .45	12MM
50M025045H016	M2.5 X .45	16MM

50M025045H020	M2.5 X .45	20MM
50M025045H025	M2.5 X .45	25MM
50M030050H042	M3 X .5	42MM
50M040070H006	M4 X .7	6MM
50M040070H008	M4 X .7	8MM
50M040070H010	M4 X .7	10MM
50M040070H012	M4 X .7	12MM
50M040070H015	M4 X .7	15MM
50M040070H016	M4 X .7	16MM
50M040070H020	M4 X .7	20MM
50M040070H025	M4 X .7	25MM
50M040070H030	M4 X .7	30MM
50M040070H035	M4 X .7	35MM
50M050080H040	M5 X .8	40MM
50M060100H040	M6 X 1.00	40MM
50M060100H045	M6 X 1.00	45MM

Metric Slt. Hex Mach Screw



Item Number	Thread	Length
50M020040K004	M2 X .4	4MM
50M020040K005	M2 X .4	5MM
50M020040K006	M2 X .4	6MM
50M020040K008	M2 X .4	8MM
50M020040K010	M2 X .4	10MM
50M020040K012	M2 X .4	12MM
50M020040K016	M2 X .4	16MM
50M020040K020	M2 X .4	20MM
50M020040K025	M2 X .4	25MM
50M025045K004	M2.5 X .45	4MM

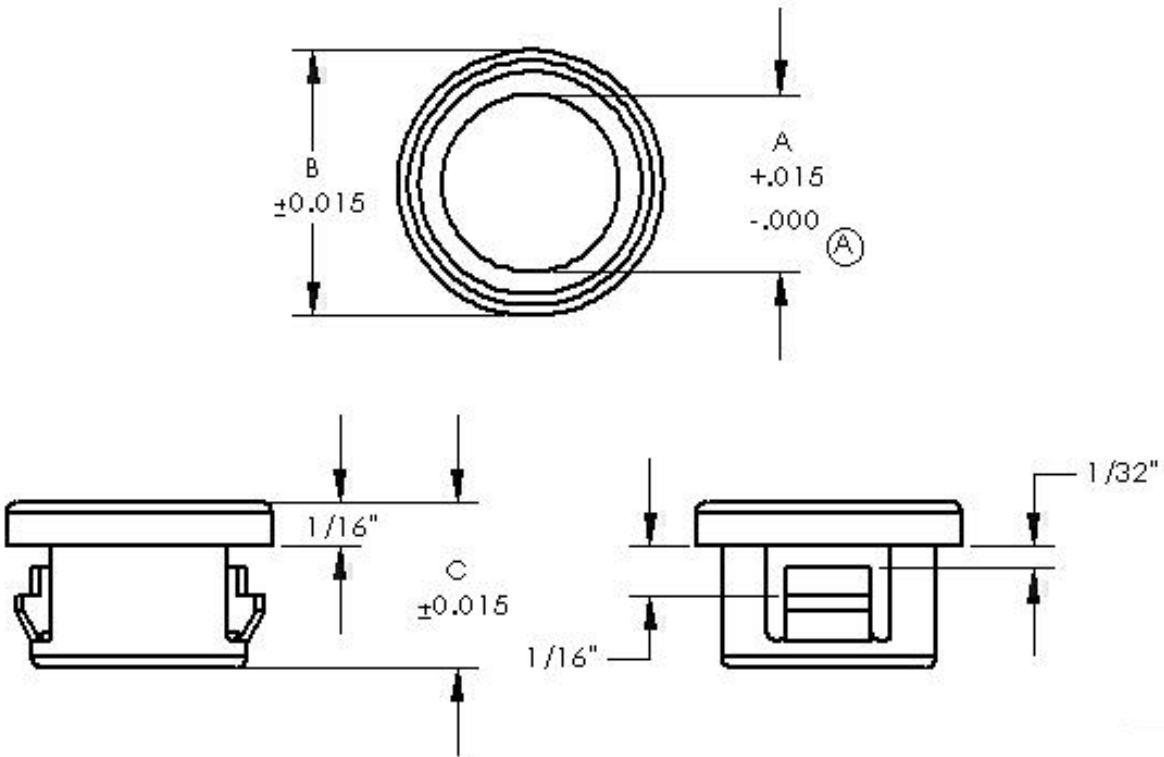
50M025045K005	M2.5 X .45	5MM
50M025045K006	M2.5 X .45	6MM
50M025045K008	M2.5 X .45	8MM
50M025045K010	M2.5 X .45	10MM
50M025045K012	M2.5 X .45	12MM
50M025045K016	M2.5 X .45	16MM
50M025045K020	M2.5 X .45	20MM
50M025045K025	M2.5 X .45	25MM
50M030050K004	M3 X .5	4MM
50M030050K042	M3 X .5	42MM
50M035060K042	M3.5 X .6	42MM
50M040070K006	M4 X .7	6MM
50M040070K008	M4 X .7	8MM
50M040070K010	M4 X .7	10MM
50M040070K012	M4 X .7	12MM
50M040070K016	M4 X .7	16MM
50M040070K020	M4 X .7	20MM
50M040070K025	M4 X .7	25MM
50M040070K030	M4 X .7	30MM
50M040070K035	M4 X .7	35MM
50M040070K040	M4 X .7	40MM
50M050080K040	M5 X .8	40MM
50M060100K040	M6 X 1.00	40MM
50M060100K045	M6 X 1.00	45MM

Metric Nylon Threaded Rod



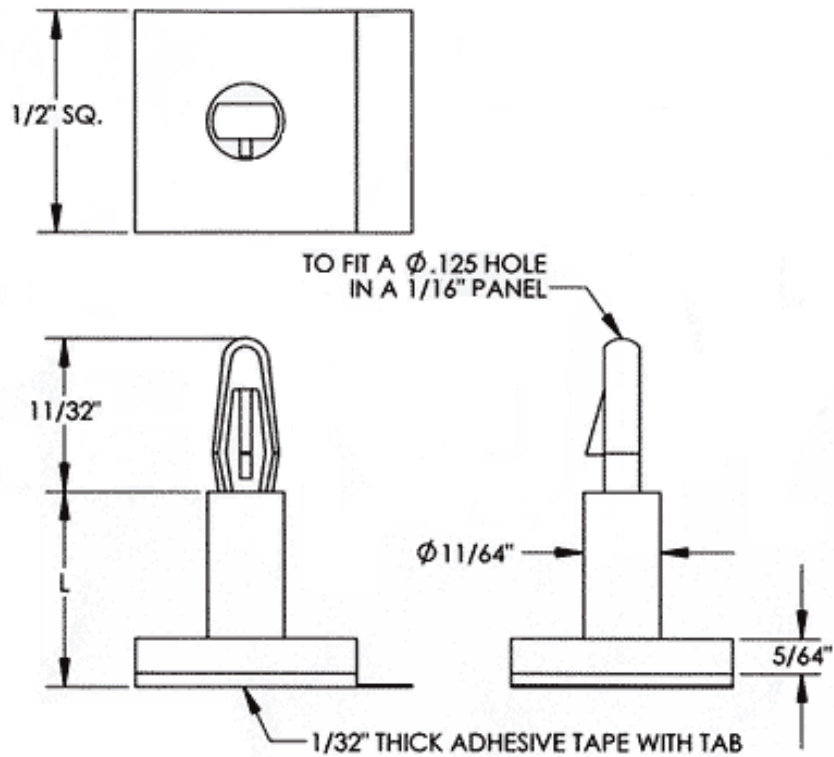
Item Number	Description
38M040070TR	M4 X .7

Min Insulating Bushings



Item Number	Description	Inside Dia. A	Head Dia. B (+/-0.015)	Thickness C (+/-0.015)	Hole Dia. (Panel)
22MP01040	MP 1040	0.406	0.593	0.25	0.531

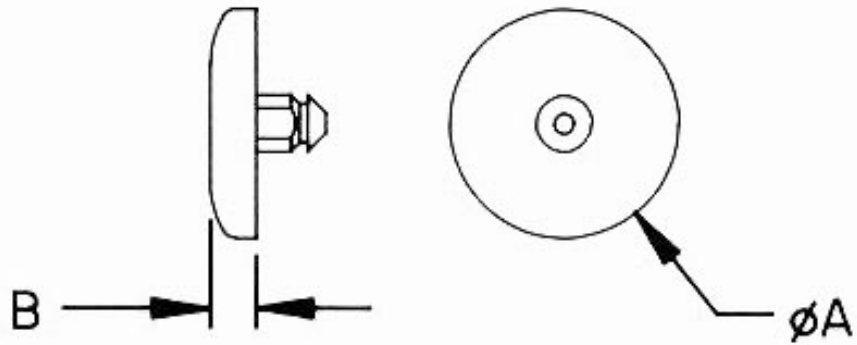
Mini Locking P.C.B. Support



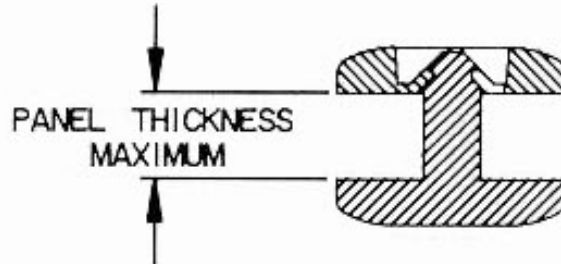
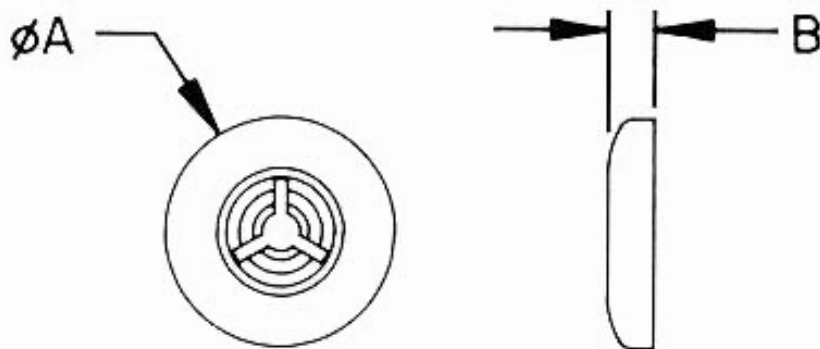
Item Number	Description	L
27MLAD0437TAB	7/16" Mini Locking PCB Support	0.4375

Nylon Mini Rivets

MALE MINI RIVET



FEMALE MINI RIVET



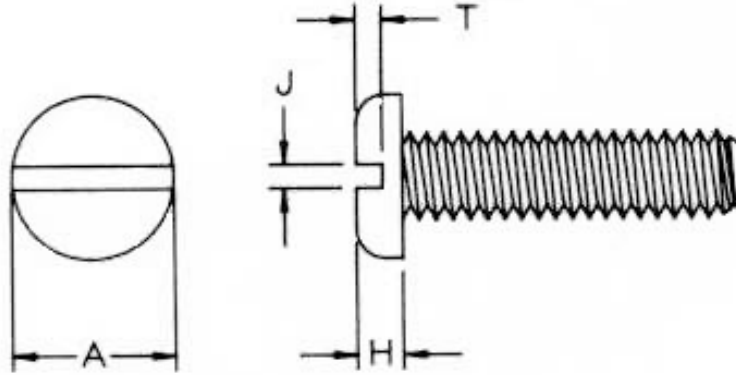
Item Number	Description	Panel Thickness	A	B	Post Diameter
27MRM060045	Male Mini Rivet	0.045	0.25	0.05	0.06
27MRM090045	Male Mini Rivet	0.045	0.375	0.075	0.094
27MRM125045	Male Mini Rivet	0.045	0.5	0.1	0.125

Nail In Clip Assortment Kit



Item Number	Description	Packaging
04AS0518NIC	Nail-In Clips	Transparent Box

Slit Pan Machine Screws



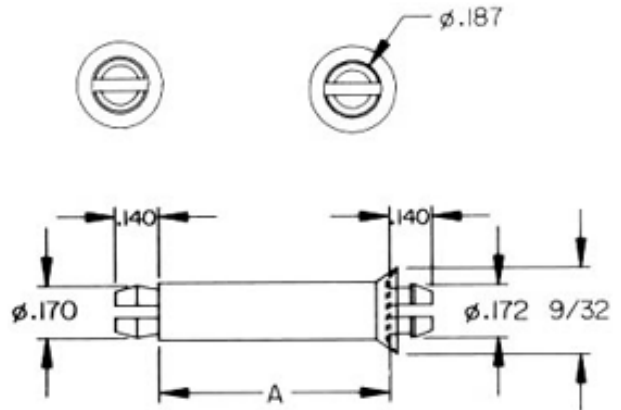
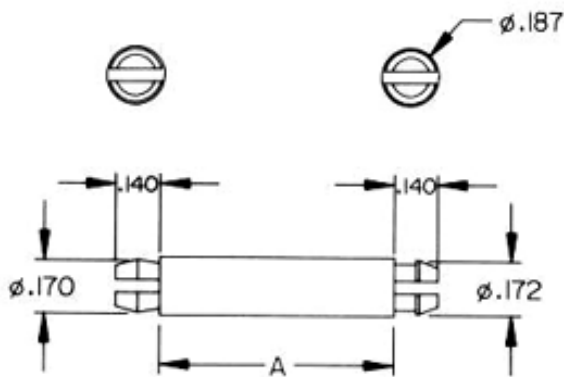
Item Number	Thread	Length
010256P043	256	0.4375
010436P050	436	0.5
010440P009	440	0.09375
010440P012	440	0.125
010440P014	440	0.141
010440P018	440	0.1875
010440P025	440	0.25
010440P028	440	0.281
010440P031	440	0.3125
010440P037	440	0.375
010440P043	440	0.4375
010440P050	440	0.5
010440P056	440	0.5625
010440P062	440	0.625
010440P068	440	0.6875
010440P075	440	0.75
010440P087	440	0.875
010440P100	440	1
010440P112	440	1.125
010440P118	440	1.1875
010440P125	440	1.25
010440P137	440	1.375
010440P150	440	1.5
010440P162	440	1.625

010440P175	440	1.75
010448P025	448	0.25
010632P043	632	0.4375
010832P043	832	0.4375
011032P043	1032	0.4375

PCB Posts MSP-MP Series

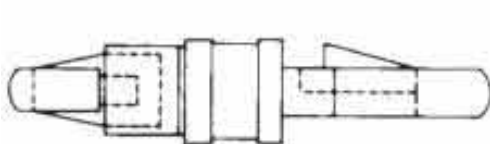
MP Series

MSP Series

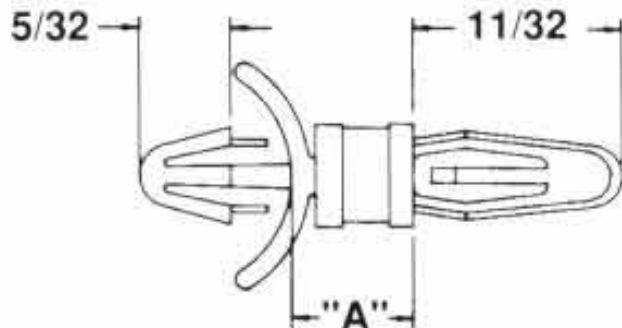


Item Number	Description	A
27MP00437	MP 437	0.437
27MP00437S	MP 437S	0.437
27MSP00437	MSP 437	0.437
27MSP00472	MSP 472	0.472

PCB Supports - MLLP Series

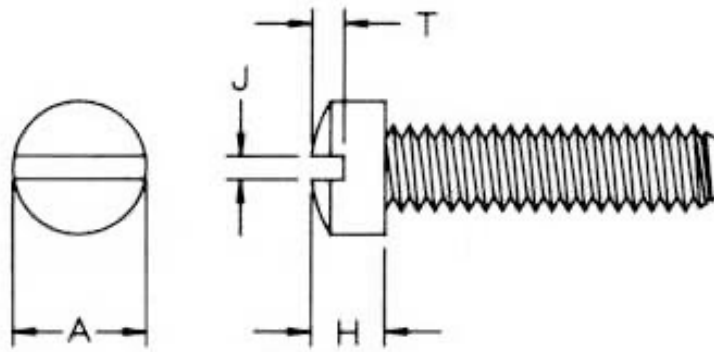


**Both Ends
Hole Dia. .125
Panel Thk. 1/16**



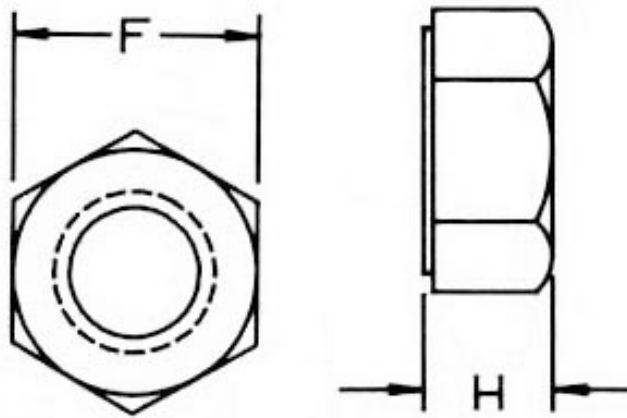
Item Number	Description	A (+/- .015)
27MLLP0437	MLLP 437	0.437

Polycarb Slit Fill Mach Scr



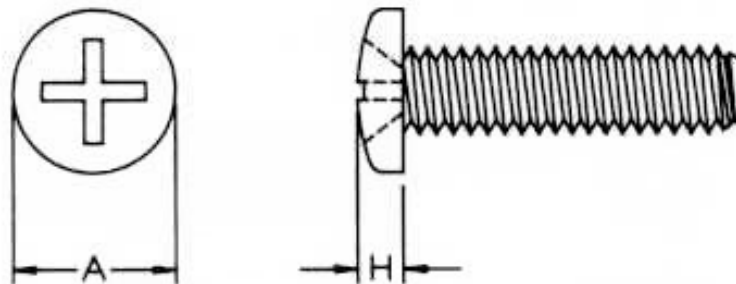
Item Number	Description	Tolerance
010440F025PC	440 X 0.25 - POLYCARBONATE	+0.000/-0.020
010440F028PC	440 X 0.281 - POLYCARBONATE	+0.000/-0.020
010440F037PC	440 X 0.375 - POLYCARBONATE	+0.000/-0.020
010440F050PC	440 X 0.5 - POLYCARBONATE	+0.000/-0.020

Polycarbonate Hex Nuts



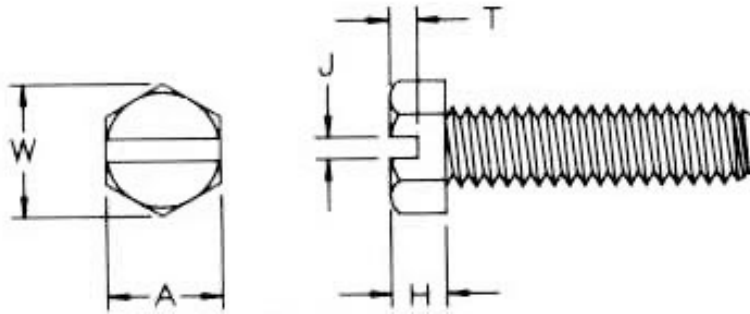
Item Number	Description	F	H
0400440HNPC	440 Hex Nut - Polycarbonate	0.25	0.1
0400632HNPC	632 Hex Nut - Polycarbonate	0.305	0.12
0400832HNPC	832 Hex Nut - Polycarbonate	0.335	0.13
0401032HNPC	1032 Hex Nut - Polycarbonate	0.365	0.135

Phillips Pan in Polycarb. Mat



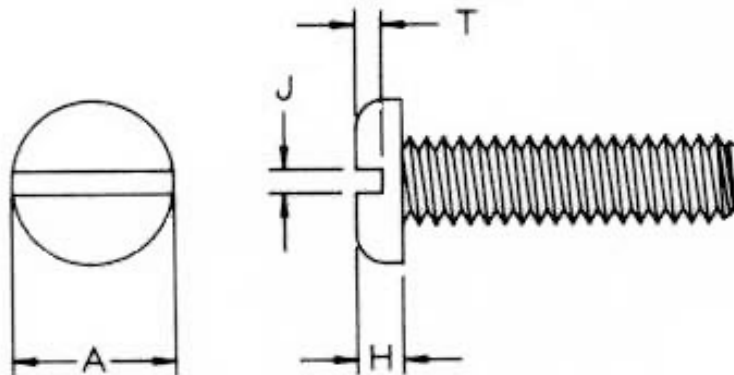
Item Number	Description	Tolerance
010440W025PC	440 X 0.25 - POLYCARBONATE	+.000/-.020
010440W028PC	440 X 0.281 - POLYCARBONATE	+.000/-.020
010440W037PC	440 X 0.375 - POLYCARBONATE	+.000/-.020
010440W050PC	440 X 0.5 - POLYCARBONATE	+.000/.020

Slotted Hex in Polycarb. Mat



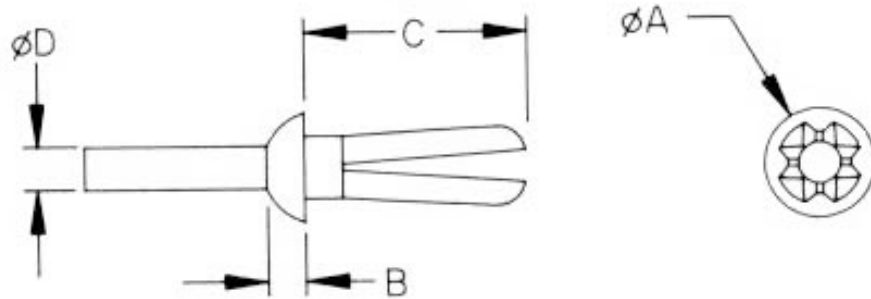
Item Number	Description	Tolerance
010440X025PC	440 X 0.25 - POLYCARBONATE	+.000/-.020
010440X028PC	440 X 0.281 - POLYCARBONATE	+.000/-.020
010440X037PC	440 X 0.375 - POLYCARBONATE	+.000/-.020
010440X050PC	440 X 0.5 - POLYCARBONATE	+.000/-.020

Slotted Pan in Polycarb. Mat



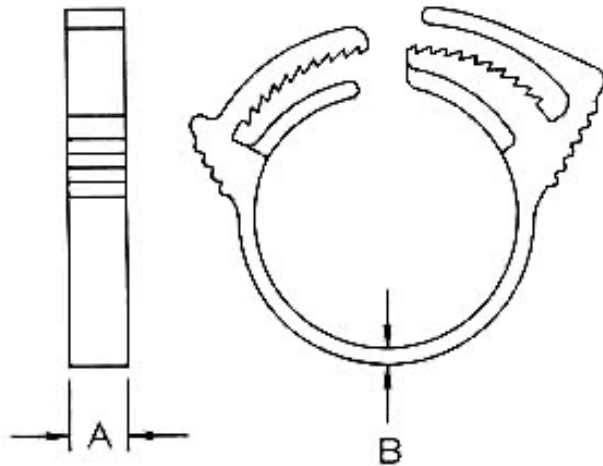
Item Number	Description	Tolerance
010440P025PC	440 X 0.25 - POLYCARBONATE	+.000/-.020
010440P028PC	440 X 0.281 - POLYCARBONATE	+.000/-.020
010440P037PC	440 X 0.375 - POLYCARBONATE	+.000/-.020
010440P050PC	440 X 0.5 - POLYCARBONATE	+.000/-.020

Nylon Poly Drive Rivets



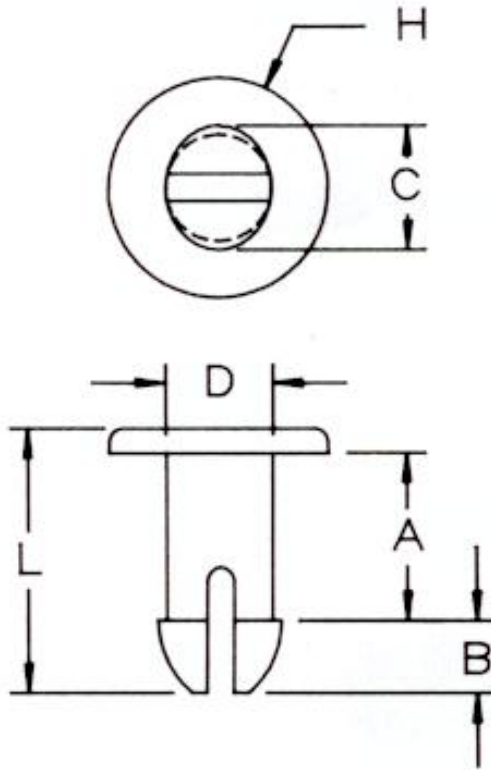
Item Number	Nominal Hole	Panel Thickness Range	Head Style	Head Dia. A	Head Height B	Lock Length C (+ .005, -.015)	Pin Dia. D
61PR010400	.250	.281 / .500	BINDER	0.615	0.109	0.62	0.15
61PR010410	.187	.062 / .187	ROUND	0.375	0.08	0.281	0.125
61PR100400	.187	.062 / .187	TRUSS	0.281	0.05	0.296	0.125
61PR300400	.187	.312 / .440	ROUND	0.32	0.109	0.535	0.125
61PR400400	.187	.312 / .440	BINDER	0.312	0.062	0.535	0.125

Nylon Premium Hose Clamps



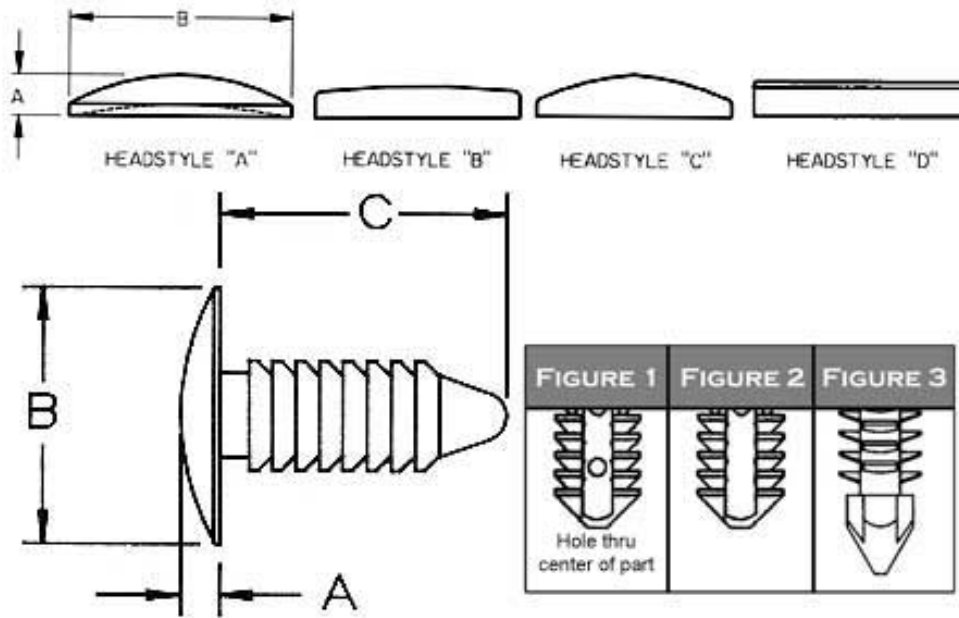
Item Number	Description	A	B	Min.	Max.
22HC0406	13/32" Premium Hose Clamp	0.25	0.062	0.41	0.468
22HC0468	15/32" Premium Hose Clamp	0.219	0.062	0.475	0.536

Nylon Push-In Fasteners



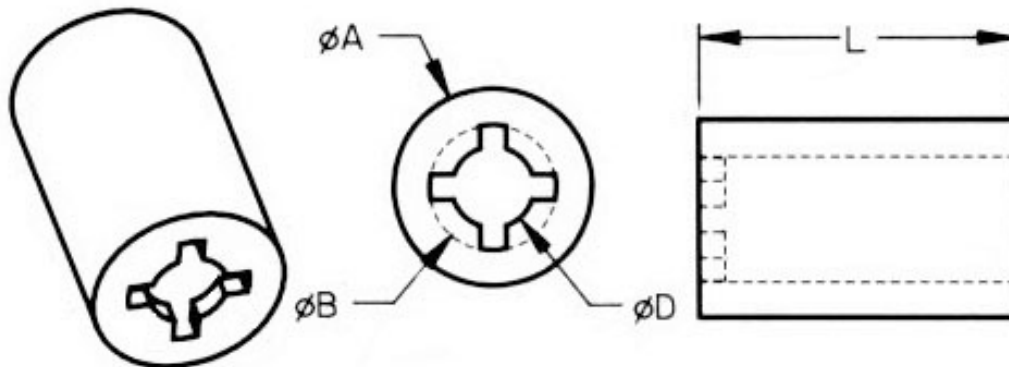
Item Number	Description	H	A	B	C	D	
27PIF0040	PIF 40*	0.281	0.093	0.078	0.105	0.093	0.2
27PIF0041	PIF 41*	0.3125	0.121	0.085	0.145	0.089	0.246
27PIF0042	PIF 42	0.203	0.19	0.09	0.18	0.13	0.32
27PIF0043	PIF 43	0.203	0.156	0.135	0.14	0.115	0.32
27PIF0044	PIF 44	0.203	0.135	0.135	0.14	0.115	0.295
27PIF0045	PIF 45	0.203	0.235	0.07	0.137	0.115	0.345
27PIF0046	PIF 46	0.203	0.25	0.106	0.145	0.115	0.395
27PIF0047	PIF 47	0.203	0.121	0.105	0.145	0.115	0.26
27PIF0048	PIF 48	0.391	0.315	0.113	0.208	0.157	0.488
27PIF0049	PIF 49	0.344	0.45	0.16	0.2	0.16	0.68
27PIF0104	PIF 104	0.234	0.75	0.082	0.164	0.12	0.875

Ratchet Fasteners



Item Number	Panel Thk. Range	Material Type	Color	Headstyle	Figure	Hole Size	Head Size B	Head Height A	Lock Length C (+/- .015)
27RT250425	.020 / .218	6/6 Nylon	Black	A	1	0.25	0.72	0.098	0.425
27RT250440	.105 / .300	6/6 Nylon	Black	A	1	0.25	0.7	0.1	0.437

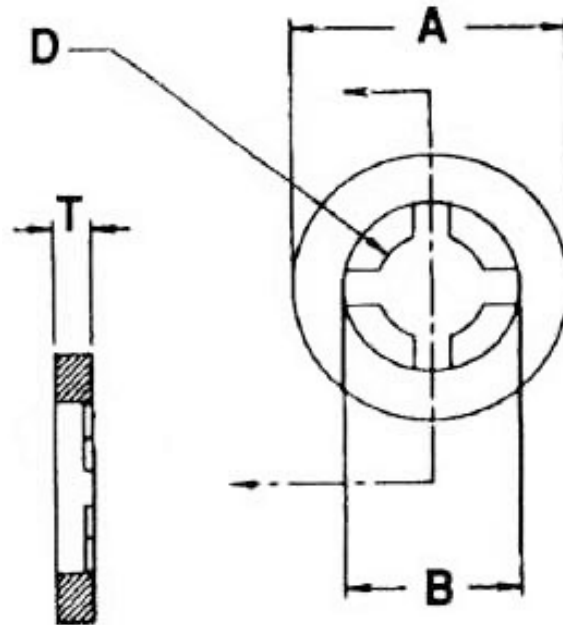
Nylon Retaining Spacers



Item Number	Description	A	B	D	L
13SPRT040	SPRT 040	0.25	0.115	0.078	0.6875
13SPRT041	SPRT 041	0.25	0.115	0.078	0.75
13SPRT042	SPRT 042	0.25	0.115	0.078	0.8125
13SPRT043	SPRT 043	0.25	0.115	0.078	0.875
13SPRT044	SPRT 044	0.25	0.115	0.078	0.9375
13SPRT045	SPRT 045	0.25	0.115	0.078	1
13SPRT046	SPRT 046	0.25	0.156	0.102	0.125
13SPRT047	SPRT 047	0.25	0.156	0.102	0.1875

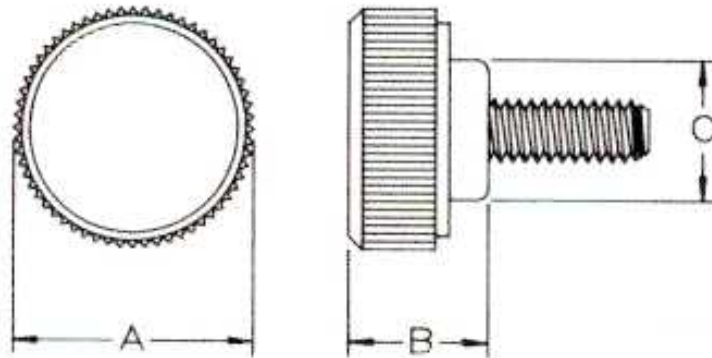
13SPRT048	SPRT 048	0.25	0.156	0.102	0.25
13SPRT049	SPRT 049	0.25	0.156	0.102	0.3125
13SPRT104	SPRT 104	0.5	0.277	0.177	0.9375

Nylon Retaining Washers



Item Number	Description	A	B	D	T
16FWRT004032	FWRT 4-032	0.266	0.156	0.102	0.032
16FWRT004062	FWRT 4-062	0.266	0.156	0.102	0.062
16FWRT004125	FWRT 4-125	0.266	0.156	0.102	0.125
16FWRT008045	FWRT 8-045	0.453	0.218	0.135	0.045

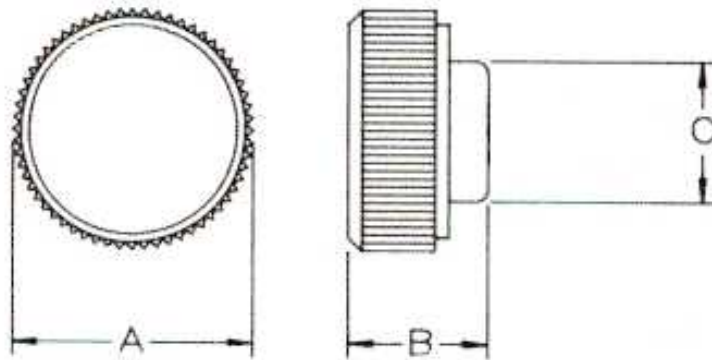
Standard Round Head Screw



Item Number	Screw Size	Screw Length	Head Dia.
29R004S025B	4-40	0.25	0.3125
29R004S025BL	4-40	0.25	0.3125
29R004S025GR	4-40	0.25	0.3125
29R004S025RD	4-40	0.25	0.3125

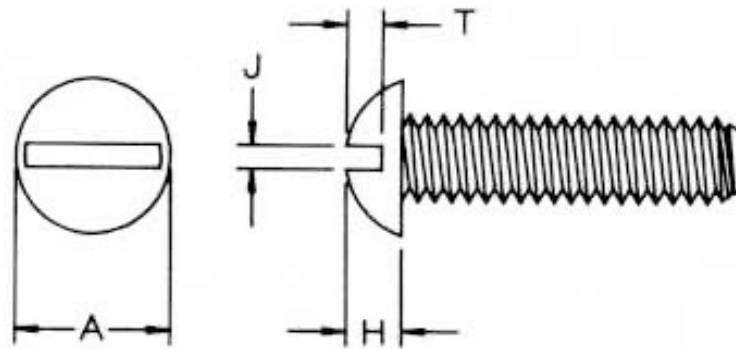
29R004S025WT	4-40	0.25	0.3125
29R004S037B	4-40	0.375	0.3125
29R004S037BL	4-40	0.375	0.3125
29R004S037GR	4-40	0.375	0.3125
29R004S037RD	4-40	0.375	0.3125
29R004S037WT	4-40	0.375	0.3125
29R004S050B	4-40	0.5	0.3125
29R004S050BL	4-40	0.5	0.3125
29R004S050GR	4-40	0.5	0.3125
29R004S050RD	4-40	0.5	0.3125
29R004S050WT	4-40	0.5	0.3125
29R004S075B	4-40	0.75	0.3125
29R004S075BL	4-40	0.75	0.3125
29R004S075GR	4-40	0.75	0.3125
29R004S075RD	4-40	0.75	0.3125
29R004S075WT	4-40	0.75	0.3125

Standard Round Head Knob



Item Number	Fits Screw	A	B	C
29R004B	#4	0.3125	0.172	0.281
29R004BL	#4	0.3125	0.172	0.281
29R004GR	#4	0.3125	0.172	0.281
29R004RD	#4	0.3125	0.172	0.281
29R004WT	#4	0.3125	0.172	0.281

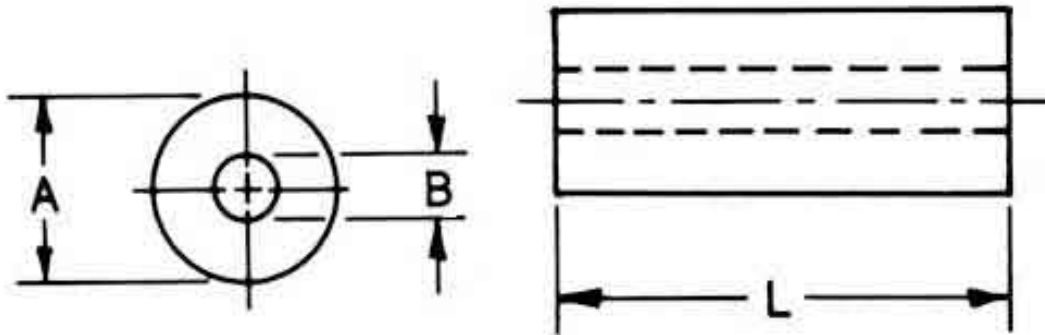
Round Slotted Machine Screws



Item Number	Thread	Length
010256R043	256	0.4375
010348R043	348	0.4375
010436R050	436	0.5
010440R009	440	0.09375
010440R012	440	0.125
010440R014	440	0.141
010440R018	440	0.1875
010440R025	440	0.25
010440R028	440	0.281
010440R031	440	0.3125
010440R037	440	0.375
010440R043	440	0.4375
010440R050	440	0.5
010440R056	440	0.5625
010440R062	440	0.625
010440R068	440	0.6875
010440R075	440	0.75
010440R087	440	0.875
010440R100	440	1
010440R112	440	1.125
010440R118	440	1.1875
010440R125	440	1.25
010440R137	440	1.375
010440R150	440	1.5
010440R162	440	1.625
010440R175	440	1.75
010448R025	448	0.25
010632R043	632	0.4375

010832R043	832	0.4375
011032R043	1032	0.4375

Special Nylon Spacers

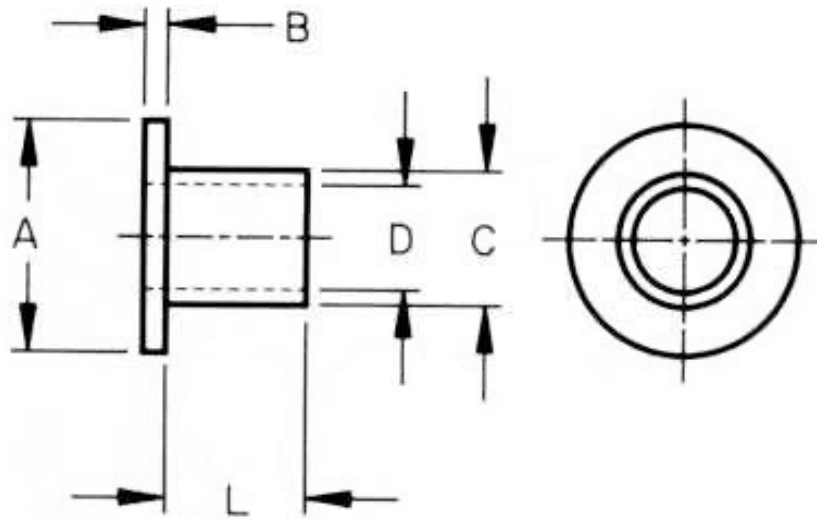


Item Number	Description	A	B	L
13RS012504	RS 12504	0.125	0.047	0.375
13RS016040	RS 16040	0.16	0.1	0.406
13RS025041	RS 25041	0.25	0.12	0.389
13RS025042	RS 25042	0.25	0.125	0.42
13RS025048	RS 25048	0.25	0.115	0.219
13RS034004	RS 34004	0.355	0.255	0.13
13RS037041	RS 37041	0.37	0.194	0.418
13RS040080	RS 40080	0.4	0.14	0.719
13RS040082	RS 40082	0.43	0.285	0.4
13RS040085	RS 40085	0.4	0.14	0.781
13RS040630	RS 40630	0.406	0.269	0.25
13RS040636	RS 40636	0.406	0.265	0.562
13RS040637	RS 40637	0.406	0.265	0.625
13RS040660	RS 40660	0.406	0.267	0.5
13RS040670	RS 40670	0.406	0.265	0.75
13RS040671	RS 40671	0.406	0.311	0.591
13RS040675	RS 40675	0.406	0.28	0.375
13RS040685	RS 40685	0.406	0.265	1
13RS041500	RS 41500	0.415	0.32	0.64
13RS042700	RS 42700	0.427	0.182	0.734
13RS042701	RS 42701	0.433	0.256	0.22
13RS043724	RS 43724	0.4375	0.25	0.394
13RS043725	RS 43725	0.4375	0.25	0.591
13RS043726	RS 43726	0.437	0.312	0.35

13RS043727	RS 43727	0.438	0.325	0.422
13RS043728	RS 43728	0.437	0.318	0.281
13RS043729	RS 43729	0.4375	0.171	0.655
13RS043730	RS 43730	0.437	0.318	0.15
13RS045040	RS 45040	0.45	0.325	0.422
13RS046060	RS 46060	0.46	0.252	0.5625
13RS046061	RS 46061	0.46	0.4	0.44
13RS046319	RS 46319	0.463	0.19	0.3125
13RS046500	RS 46500	0.465	0.382	0.282
13RS046823	RS 46823	0.468	0.314	0.23
13RS048012	RS 48012	0.47	0.12	0.359
13RS048013	RS 48013	0.472	0.394	0.787
13RS048015	RS 48015	0.475	0.191	0.328
13RS048016	RS 48016	0.48	0.257	0.1875
13RS048017	RS 48017	0.472	0.323	0.492
13RS048420	RS 48420	0.484	0.343	0.1875
13RS048421	RS 48421	0.486	0.32	0.375
13RS050040	RS 50040	0.5	0.344	0.8125
13RS050041	RS 50041	0.5	0.375	0.225
13RS050045	RS 50045	0.5	0.257	0.406
13RS050046	RS 50046	0.5	0.312	1.3125
13RS050047	RS 50047	0.5	0.368	0.47
13RS062040	RS 62040	0.62	0.504	0.8125
13RS075040	RS 75040	0.75	0.323	0.25
13RS075041	RS 75041	0.74	0.39	1
13RS075042	RS 75042	0.75	0.26	0.625
13RS075043	RS 75043	0.74	0.31	0.437
13RS075044	RS 75044	1.75	0.625	0.25
13RS075045	RS 75045	0.745	0.385	0.3125
13RS075046	RS 75046	0.75	0.46	0.25
13RS075047	RS 75047	0.75	0.38	0.472
13RS075048	RS 75048	0.75	0.25	0.5
13RS075049	RS 75049	0.75	0.312	0.25
13RS081045	RS 81045	0.803	0.52	0.5
13RS087045	RS 87045	0.87	0.531	0.391
13RS087046	RS 87046	0.866	0.25	0.394

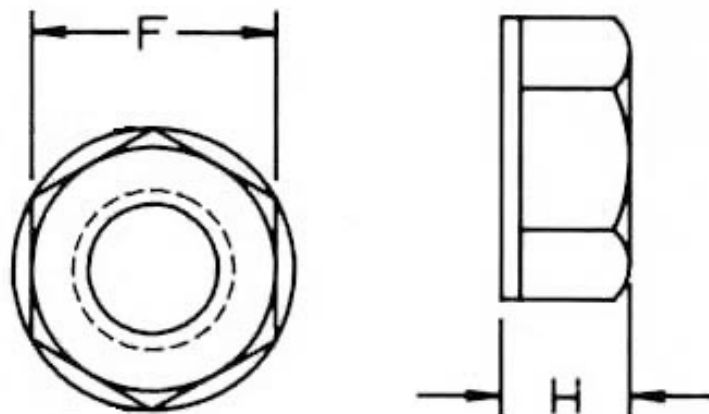
13RS087047	RS 87047	0.87	0.61	0.5
13RS100043	RS 100043	1	0.406	0.4375

Nylon Screw Insulators



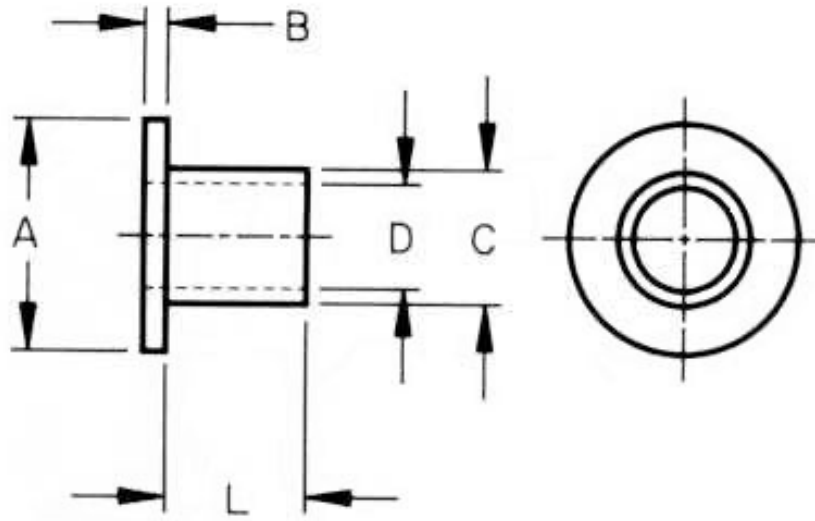
Item Number	Description	L	A	B	C	D
10SC004003	SC 4	0.031	0.235	0.047	0.145	0.115
10SC004004	SC 4	0.047	0.235	0.047	0.145	0.115
10SC004006	SC 4	0.0625	0.235	0.047	0.145	0.115
10SC004009	SC 4	0.09375	0.235	0.047	0.145	0.115
10SC004012	SC 4	0.125	0.235	0.047	0.145	0.115
10SC004015	SC 4	0.156	0.235	0.047	0.145	0.115
10SC004018	SC 4	0.1875	0.235	0.047	0.145	0.115
10SC004025	SC 4	0.25	0.235	0.047	0.145	0.115
10SC004037	SC 4	0.375	0.235	0.047	0.145	0.115
10SC004050	SC 4	0.5	0.235	0.047	0.145	0.115
10SC006004	SC 6	0.047	0.29	0.047	0.17	0.14

Self-Threading Lock Nuts



Item Number	Description	F	H
0700440SLN	440 Self-Thread	0.25	0.2

Nylon Shoulder Washers



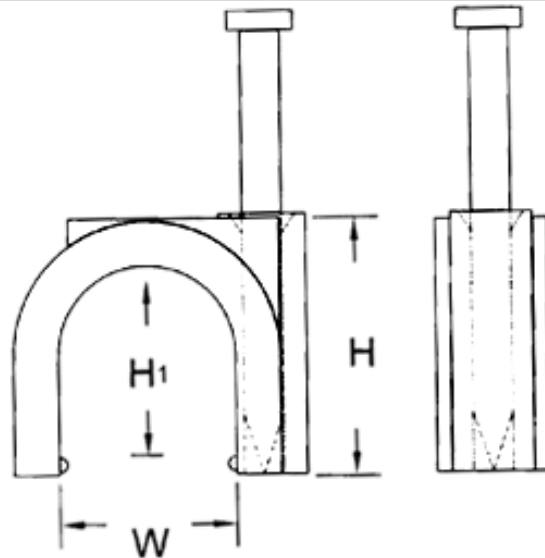
Item Number	Description	L	A	B	C	D
12SWS0204	SWS 204	0.1875	0.205	0.03125	0.125	0.093
12SWS0304	SWS 304	0.453	0.256	0.055	0.173	0.118
12SWS0400	SWS 400	0.094	0.235	0.047	0.14	0.115
12SWS0401	SWS 401	0.25	0.235	0.047	0.145	0.115
12SWS0402	SWS 402	0.047	0.24	0.0625	0.138	0.114
12SWS0403	SWS 403	0.0625	0.312	0.0625	0.149	0.115
12SWS0404	SWS 404	0.094	0.312	0.0625	0.149	0.115
12SWS0405	SWS 405	0.016	0.25	0.047	0.124	0.111
12SWS0406	SWS 406	0.03125	0.252	0.03125	0.186	0.14
12SWS0407	SWS 407	0.03125	0.25	0.03125	0.186	0.139
12SWS0408	SWS 408	0.25	0.235	0.032	0.12	0.09
12SWS0409	SWS 409	0.125	0.25	0.03125	0.195	0.13
12SWS0410	SWS 410	0.03125	0.25	0.047	0.114	0.1
12SWS0411	SWS 411	0.0625	0.25	0.03125	0.143	0.115
12SWS0412	SWS 412	0.0625	0.25	0.03125	0.169	0.102
12SWS0413	SWS 413	0.09375	0.25	0.047	0.114	0.1
12SWS0414	SWS 414	0.125	0.281	0.094	0.158	0.093
12SWS0415	SWS 415	0.1875	0.293	0.047	0.218	0.138
12SWS0416	SWS 416	0.172	0.25	0.047	0.186	0.126
12SWS0417	SWS 417	0.016	0.31	0.0625	0.183	0.139
12SWS0418	SWS 418	0.016	0.312	0.625	0.187	0.115

12SWS0419	SWS 419	0.031	0.312	0.031	0.185	0.14
12SWS0420	SWS 420	0.0625	0.312	0.0625	0.17	0.12
12SWS0421	SWS 421	0.047	0.312	0.0625	0.17	0.127
12SWS0422	SWS 422	0.125	0.312	0.047	0.234	0.144
12SWS0423	SWS 423	0.016	0.25	0.031	0.15	0.116
12SWS0424	SWS 424	0.219	0.295	0.031	0.234	0.14
12SWS0425	SWS 425	0.031	0.312	0.0625	0.25	0.196
12SWS0426	SWS 426	0.172	0.25	0.047	0.145	0.115
12SWS0427	SWS 427	0.047	0.25	0.031	0.185	0.116
12SWS0428	SWS 428	0.109	0.242	0.047	0.14	0.115
12SWS0429	SWS 429	0.141	0.25	0.047	0.145	0.115
12SWS0430	SWS 430	0.1875	0.312	0.0625	0.25	0.156
12SWS0431	SWS 431	0.094	0.24	0.031	0.185	0.125
12SWS0432	SWS 432	0.047	0.25	0.047	0.143	0.113
12SWS0433	SWS 433	0.109	0.25	0.047	0.145	0.115
12SWS0434	SWS 434	0.0625	0.312	0.047	0.17	0.14
12SWS0435	SWS 435	0.047	0.25	0.0625	0.185	0.116
12SWS0436	SWS 436	0.031	0.24	0.047	0.139	0.115
12SWS0437	SWS 437	0.031	0.265	0.031	0.157	0.126
12SWS0438	SWS 438	0.031	0.312	0.0625	0.187	0.141
12SWS0439	SWS 439	0.0625	0.25	0.047	0.138	0.12
12SWS0440	SWS 440	0.3125	0.312	0.031	0.154	0.13
12SWS0441	SWS 441	0.1875	0.312	0.031	0.234	0.184
12SWS0442	SWS 442	0.219	0.296	0.031	0.235	0.135
12SWS0443	SWS 443	0.156	0.252	0.047	0.14	0.115
12SWS0444	SWS 444	0.0625	0.3	0.047	0.194	0.16
12SWS0445	SWS 445	0.031	0.313	0.031	0.175	0.143
12SWS0446	SWS 446	0.016	0.312	0.047	0.16	0.097
12SWS0448	SWS 448	0.094	0.312	0.047	0.187	0.128
12SWS0449	SWS 449	0.031	0.313	0.031	0.219	0.124
12SWS0450	SWS 450	0.0625	0.312	0.047	0.234	0.144
12SWS0451	SWS 451	0.031	0.315	0.03	0.15	0.115
12SWS0452	SWS 452	0.031	0.312	0.047	0.203	0.12
12SWS0453	SWS 453	0.027	0.312	0.035	0.187	0.14
12SWS0454	SWS 454	0.031	0.313	0.031	0.219	0.136
12SWS0455	SWS 455	0.047	0.315	0.031	0.185	0.126

12SWS0456	SWS 456	0.047	0.25	0.047	0.156	0.115
12SWS0457	SWS 457	0.031	0.25	0.031	0.187	0.12
12SWS0458	SWS 458	0.078	0.312	0.031	0.185	0.128
12SWS0459	SWS 459	0.234	0.291	0.0625	0.154	0.12
12SWS0460	SWS 460	0.125	0.29	0.047	0.17	0.14
12SWS0462	SWS 462	0.031	0.312	0.063	0.187	0.123
12SWS0463	SWS 463	0.05	0.312	0.046	0.229	0.163
12SWS0464	SWS 464	0.297	0.25	0.047	0.145	0.115
12SWS0465	SWS 465	0.06	0.312	0.03	0.189	0.144
12SWS0466	SWS 466	0.025	0.307	0.035	0.154	0.093
12SWS0467	SWS 467	0.062	0.312	0.063	0.126	0.091
12SWS0468	SWS 468	0.25	0.312	0.06	0.21	0.142
12SWS0469	SWS 469	0.122	0.388	0.187	0.207	0.16
12SWS0470	SWS 470	0.165	0.29	0.047	0.2	0.145
12SWS0472	SWS 472	0.027	0.316	0.096	0.181	0.15
12SWS0473	SWS 473	0.6	0.29	0.047	0.21	0.14
12SWS0474	SWS 474	0.312	0.312	0.058	0.185	0.125
12SWS0475	SWS 475	0.1	0.312	0.045	0.15	0.114
12SWS0476	SWS 476	0.052	0.3	0.035	0.087	0.055
12SWS0477	SWS 477	0.067	0.308	0.045	0.183	0.132
12SWS0478	SWS 478	0.75	0.325	0.047	0.22	0.14
12SWS0479	SWS 479	0.187	0.3125	0.062	0.172	0.147
12SWS0480	SWS 480	0.1	0.31	0.037	0.242	0.164
12SWS0482	SWS 482	0.188	0.375	0.045	0.25	0.165
12SWS0604	SWS 604	0.125	0.3	0.047	0.194	0.16
12SWS0804	SWS 804	0.177	0.355	0.02	0.315	0.236
12SWS0904	SWS 904	0.375	0.437	0.0625	0.282	0.225
12SWS1004	SWS 1004	0.141	0.438	0.031	0.25	0.135
12SWS1040	SWS 1040	0.094	0.505	0.0625	0.343	0.257
12SWS1041	SWS 1041	0.335	0.495	0.05	0.346	0.26
12SWS1042	SWS 1042	0.027	0.5	0.031	0.248	0.199
12SWS1044	SWS 1044	0.08	0.5	0.078	0.213	0.145
12SWS1045	SWS 1045	0.1875	0.498	0.25	0.31	0.195
12SWS1046	SWS 1046	0.15	0.504	0.16	0.312	0.265
12SWS1047	SWS 1047	1.25	0.5	0.125	0.375	0.25
12SWS1048	SWS 1048	0.4375	0.5	0.0625	0.375	0.25

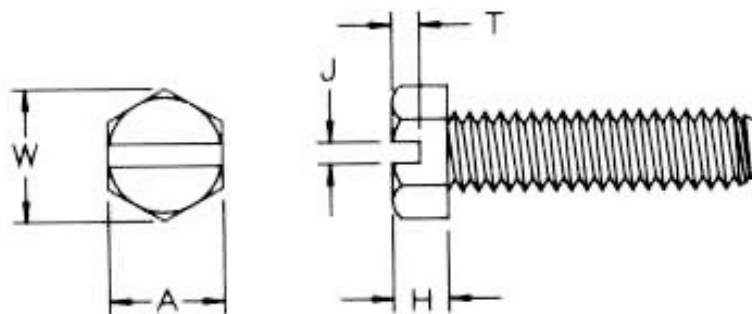
12SWS1049	SWS 1049	0.076	0.5	0.04	0.345	0.265
12SWS1204	SWS 1204	0.5	0.6	0.025	0.485	0.324
12SWS2504	SWS 2504	0.125	0.687	0.125	0.437	0.328
12SWS3004	SWS 3004	0.0625	0.75	0.094	0.359	0.152
12SWS3104	SWS 3104	0.125	0.75	0.075	0.437	0.265
12SWS3504	SWS 3504	0.8125	0.625	0.125	0.375	0.26
12SWS3604	SWS 3604	0.243	1.006	0.078	0.504	0.376
12SWS4004	SWS 4004	0.5	1.245	0.125	0.875	0.627

Nail In Cable Clips (Single, Round Cable)



Item Number	Description	Packaging	W	H	H1
22NCC0400R	Single Nail-In Clips Black	100 Pcs.	0.157	0.26	0.165
22NCC0400RW	Single Nail-In Clips White	100 Pcs.	0.157	0.26	0.165

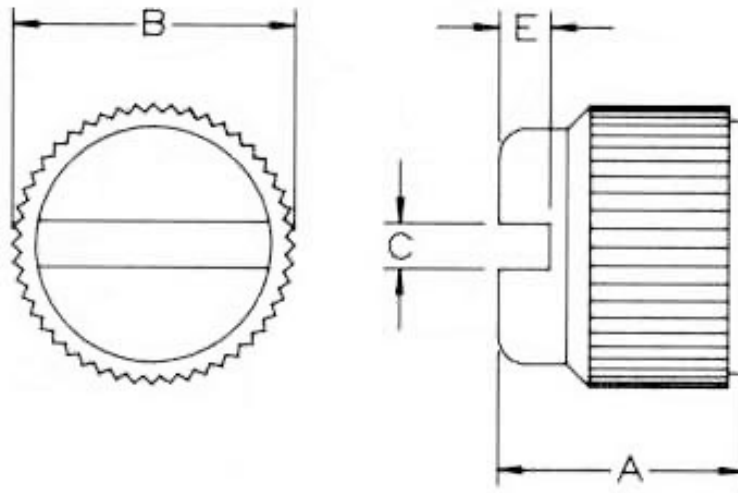
Slotted Hex Machine Screws



Item Number	Thread	Length
010256X043	256	0.4375
010436X050	436	0.5
010440X009	440	0.09375
010440X012	440	0.125

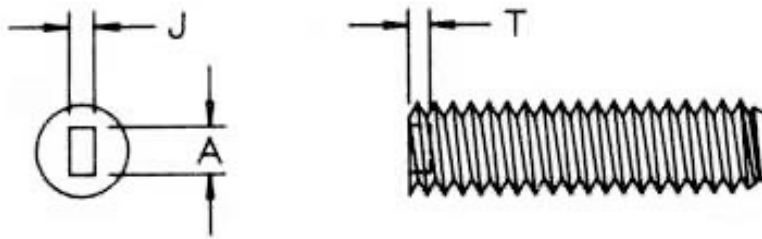
010440X014	440	0.141
010440X018	440	0.1875
010440X025	440	0.25
010440X028	440	0.281
010440X031	440	0.3125
010440X037	440	0.375
010440X043	440	0.4375
010440X050	440	0.5
010440X056	440	0.5625
010440X062	440	0.625
010440X068	440	0.6785
010440X075	440	0.75
010440X087	440	0.875
010440X100	440	1
010440X112	440	1.125
010440X118	440	1.1875
010440X125	440	1.25
010440X137	440	1.375
010440X150	440	1.5
010440X162	440	1.625
010440X175	440	1.75
010448X025	448	0.25
010632X043	632	0.4375
010832X043	832	0.4375
011032X043	1032	0.4375

Nylon Slotted Thumb Nuts



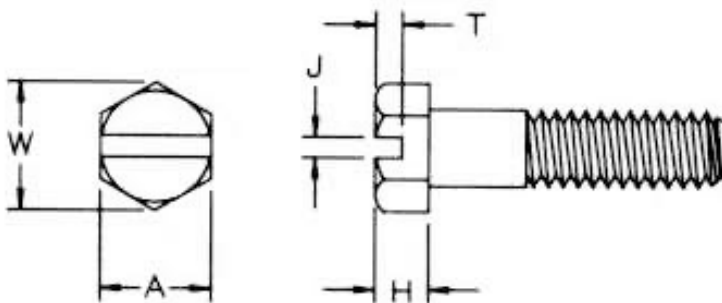
Item Number	Description	A* Ref.	B (+/-0.010)	C	E
0500440SCN	440 Slotted Thumb Nut	0.295	0.317	0.039	0.07

Slotted Grub Machine Screws



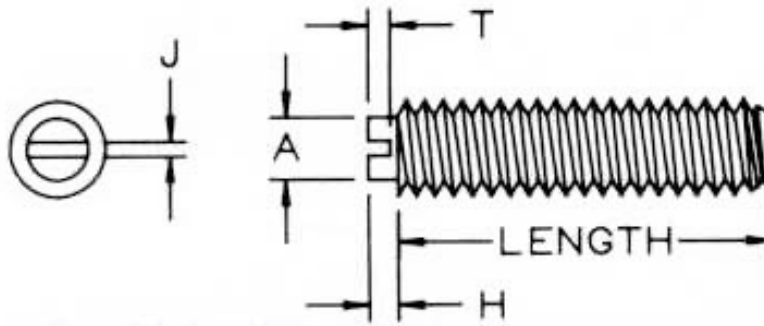
Item Number	Thread	Length
010632G043	632	0.4375
010832G043	832	0.4375
011032G043	1032	0.4375

Slotted Hex Bolt



Item Number	Thread	Length
3225020400	1/4-20	4
3225020450	1/4-20	4.5

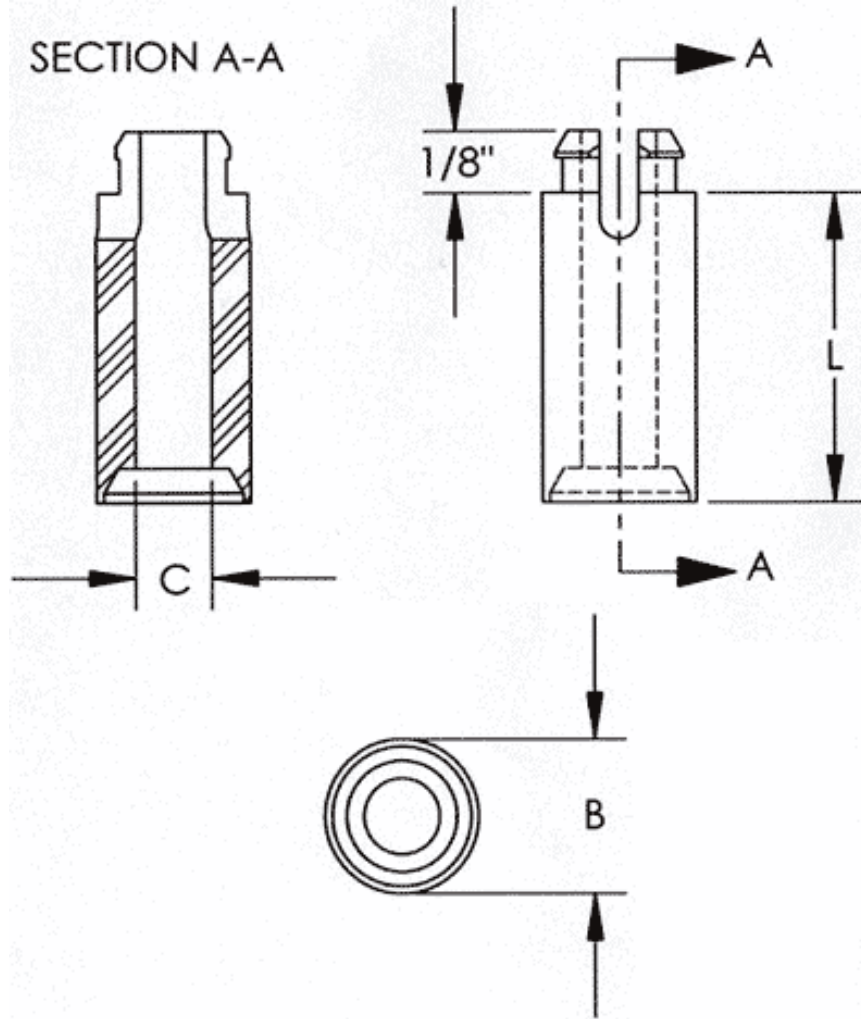
Slotted Set Machine Screws



Item Number	Thread	Length
010256S043	256	0.4375
010436S050	436	0.5
010440S009	440	0.09375
010440S012	440	0.125
010440S014	440	0.141
010440S015	440	0.156
010440S018	440	0.1875
010440S025	440	0.25
010440S028	440	0.281
010440S031	440	0.3125
010440S037	440	0.375
010440S043	440	0.4375
010440S050	440	0.5
010440S056	440	0.5625
010440S062	440	0.625
010440S068	440	0.6875
010440S075	440	0.75
010440S087	440	0.875
010440S100	440	1
010440S112	440	1.125
010440S118	440	1.1875
010440S125	440	1.25
010440S137	440	1.375
010440S150	440	1.5
010440S162	440	1.625
010440S175	440	1.75
010448S025	448	0.25

010632S043	632	0.4375
010832S043	832	0.4375

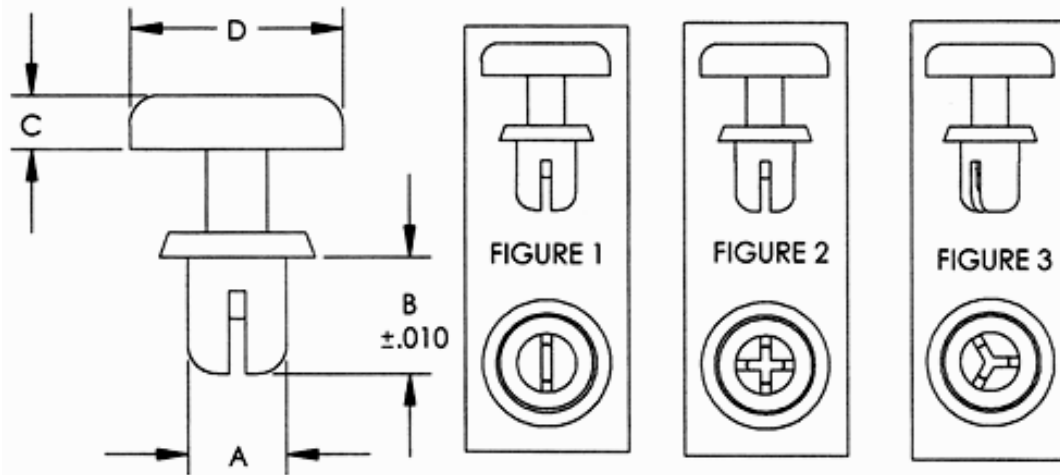
Stackable Snap-In Standoff



Item Number	Description	Screw Size	B	C	L	Mounting Hole	Panel Thickness
13STS004012	#4 X 1/8" Snap-In Standoff	#4	0.26	0.125	0.125	0.187	0.062
13STS004018	#4 X 3/16" Snap-In Standoff	#4	0.26	0.125	0.1875	0.187	0.062
13STS004025	#4 X 1/4" Snap-In Standoff	#4	0.26	0.125	0.25	0.187	0.062
13STS004031	#4 X 5/16" Snap-In Standoff	#4	0.26	0.125	0.3125	0.187	0.062
13STS004037	#4 X 3/8" Snap-In Standoff	#4	0.26	0.125	0.375	0.187	0.062
13STS004043	#4 X 7/16" Snap-In Standoff	#4	0.26	0.125	0.4375	0.187	0.062
13STS004050	#4 X 1/2" Snap-In Standoff	#4	0.26	0.125	0.5	0.187	0.062

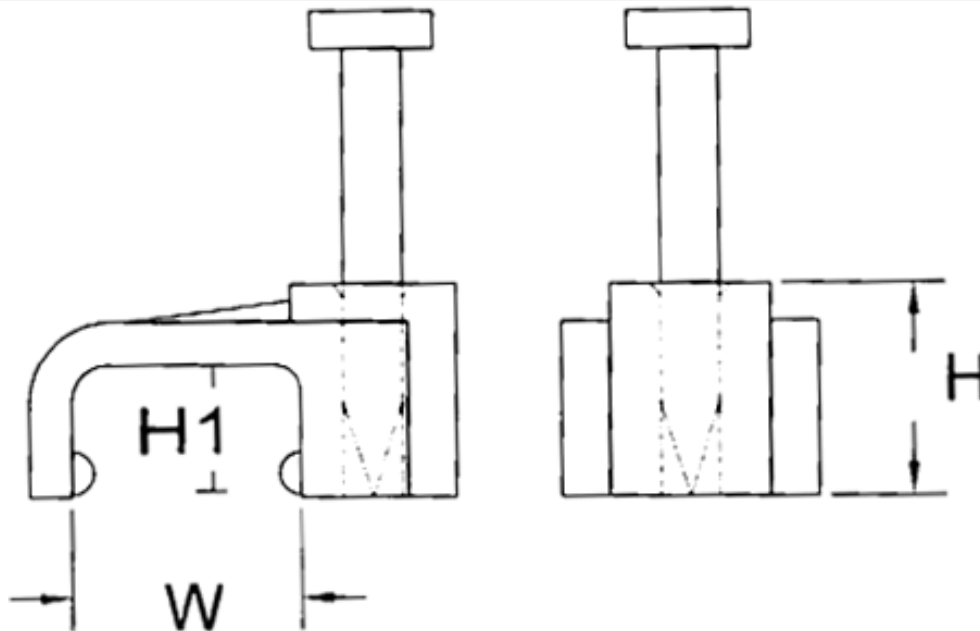
13STS004062	#4 X 5/8" Snap-In Standoff	#4	0.26	0.125	0.625	0.187	0.062
13STS006043	#6 X 7/16" Snap-In Standoff	#6	0.3125	0.153	0.4375	0.234	0.062
13STS008043	#8 X 7/16" Snap-In Standoff	#8	0.3125	0.169	0.4375	0.234	0.062

Nylon Snap Rivet



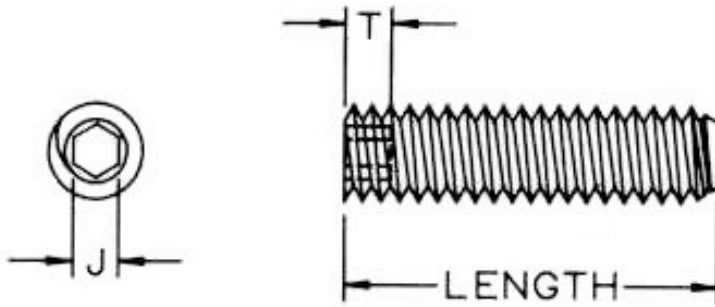
Item Number	Panel Thickness	Hole Size	Fig. No.	A	B (+/- .010)	C Head Height	D Head Dia.
27SR160475	.354 / .413	.161 / .165	2	0.157	0.47	0.071	0.317
27SR1660400	.250 / .265	.170	2	0.165	0.41	0.079	0.37

Nail In Cable Clips (Single, Flat Cable)



Item Number	Description	Packaging	W	H	H1
22NCC0450F	Single Flat Nail In Cable Clip Black	100 Pcs.	0.217	0.217	0.122
22NCC0450FW	Single Flat Nail In Cable Clip White	100 Pcs.	0.217	0.217	0.122

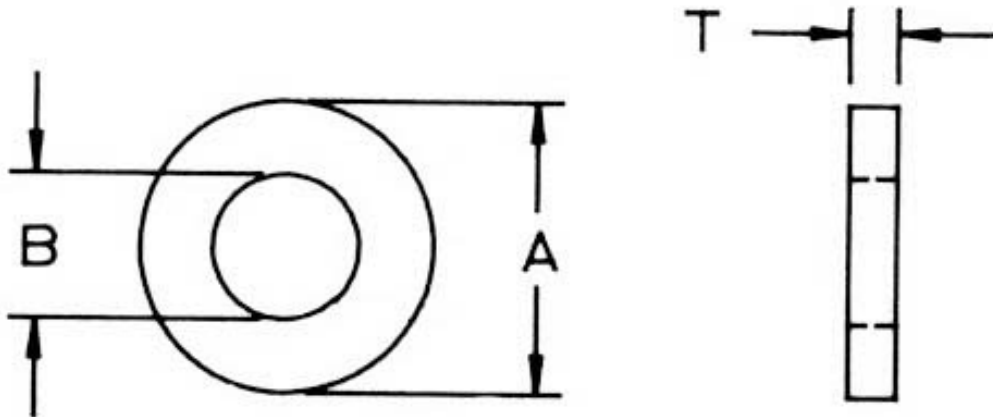
Socket Set Machine Screws



Item Number	Thread	Length
010436T050	436	0.5
010440T009	440	0.09375
010440T012	440	0.125
010440T014	440	0.141
010440T015	440	0.156
010440T018	440	0.1875
010440T025	440	0.25
010440T028	440	0.281
010440T031	440	0.3125
010440T037	440	0.375
010440T043	440	0.4375
010440T050	440	0.5
010440T056	440	0.5625
010440T062	440	0.625
010440T068	440	0.6875
010440T075	440	0.75
010440T087	440	0.875
010440T100	440	1
010440T112	440	1.125
010440T118	440	1.1875
010440T125	440	1.25
010440T137	440	1.375
010440T150	440	1.5
010440T162	440	1.625
010440T175	440	1.75
010448T025	448	0.25
010632T043	632	0.4375

010832T043	832	0.4375
011032T043	1032	0.4375

Nylon Special Flat Washers

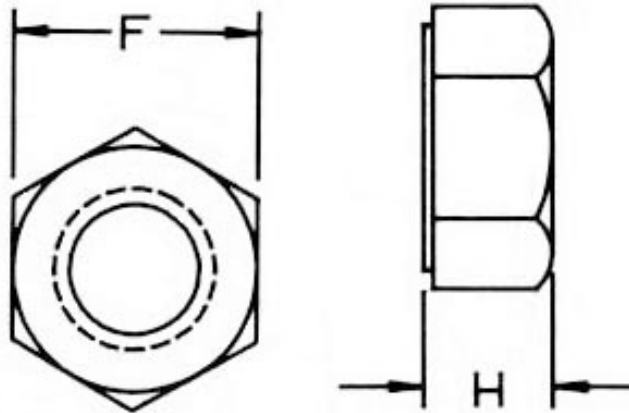


Item Number	Description	A	B	T
17W01045	W 1045	0.156	0.031	0.062
17W01804	W 1804	0.187	0.12	0.06
17W02504	W 2504	0.25	0.141	0.062
17W03904	W 3904	0.4	0.14	0.062
17W04000	W 4000	0.4	0.2	0.093
17W04060	W 4060	0.405	0.265	0.125
17W04061	W 4061	0.406	0.234	0.062
17W04062	W 4062	0.406	0.192	0.062
17W04063	W 4063	0.406	0.266	0.08
17W04064	W 4064	0.4	0.256	0.208
17W04081	W 4081	0.408	0.177	0.062
17W04150	W 4150	0.415	0.229	0.102
17W04160	W 4160	0.416	0.272	0.12
17W04250	W 4250	0.425	0.235	0.13
17W04330	W 4330	0.435	0.209	0.039
17W04331	W 4331	0.433	0.262	0.126
17W04332	W 4332	0.433	0.275	0.075
17W04333	W 4333	0.433	0.244	0.054
17W04334	W 4334	0.433	0.276	0.054
17W04348	W 4348	0.435	0.241	0.094
17W04350	W 4350	0.435	0.202	0.187
17W04351	W 4351	0.435	0.25	0.094
17W04352	W 4352	0.435	0.196	0.046

17W04353	W 4353	0.438	0.218	0.156
17W04371	W 4371	0.437	0.2	0.062
17W04372	W 4372	0.437	0.26	0.047
17W04373	W 4373	0.437	0.195	0.031
17W04374	W 4374	0.437	0.2	0.115
17W04375	W 4375	0.44	0.2	0.09
17W04376	W 4376	0.437	0.195	0.02
17W04377	W 4377	0.437	0.195	0.04
17W04378	W 4378	0.437	0.195	0.05
17W04379	W 4379	0.437	0.195	0.06
17W04380	W 4380	0.4375	0.344	0.0625
17W04386	W 4386	0.438	0.156	0.062
17W04400	W 4400	0.44	0.156	0.032
17W04401	W 4401	0.445	0.29	0.033
17W04402	W 4402	0.44	0.187	0.093
17W04403	W 4403	0.44	0.318	0.031
17W04430	W 4430	0.443	0.253	0.125
17W04450	W 4450	0.45	0.225	0.048
17W04451	W 4451	0.453	0.375	0.062
17W04452	W 4452	0.453	0.28	0.03
17W04501	W 4501	0.45	0.2	0.048
17W04502	W 4502	0.465	0.25	0.015
17W04520	W 4520	0.452	0.349	0.075
17W04601	W 4601	0.46	0.204	0.031
17W04650	W 4650	0.465	0.33	0.031
17W04651	W 4651	0.486	0.252	0.069
17W04718	W 4718	0.472	0.252	0.032
17W04719	W 4719	0.492	0.209	0.02
17W04720	W 4720	0.472	0.252	0.059
17W04721	W 4721	0.505	0.375	0.05
17W04722	W 4722	0.472	0.35	0.11
17W04725	W 4725	0.495	0.31	0.095
17W04900	W 4900	0.49	0.136	0.055
17W04901	W 4901	0.49	0.375	0.087
17W04950	W 4950	0.49	0.26	0.245
17W04951	W 4951	0.5	0.205	0.125

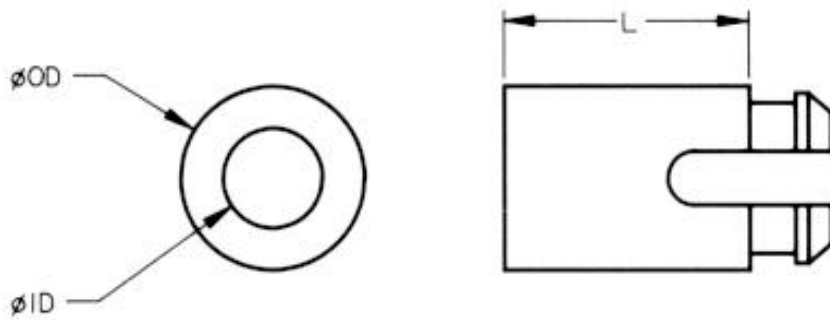
17W04952	W 4952	0.502	0.101	0.04
17W04953	W 4953	0.5	0.375	0.032
17W04960	W 4960	0.5	0.225	0.032
17W05004	W 5004	0.5	0.317	0.032
17W06204	W 6204	0.62	0.35	0.188
17W06304	W 6304	0.629	0.437	0.125
17W07404	W 7404	0.75	0.44	0.093
17W07504	W 7504	0.738	0.382	0.16
17W08049	W 8049	0.805	0.418	0.062
17W09904	W 9904	1.03	0.55	0.062
17W10041	W 10041	1	0.264	0.07
17W10042	W 10042	0.75	0.515	0.25
17W10043	W 10043	1	0.265	0.262
17W11204	W 11204	1.12	0.635	0.14
17W12504	W 12504	1.25	0.516	0.062
17W12604	W 12604	1.27	0.4	0.062
17W15004	W 15004	1.5	0.755	0.125
17W20004	W 20004	2	1.08	0.16

Nylon Special Hex Nuts



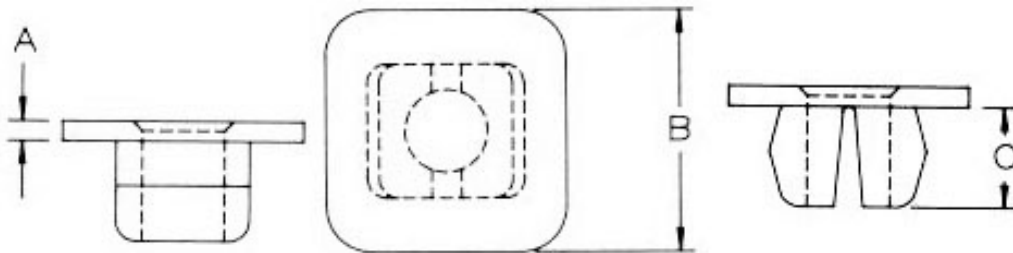
Item Number	Description	F	H
0400256HNS	256 Special Hex Nut	0.18	0.09
0400440HNS	440 Special Hex Nut	0.25	0.124
0400632HNS	632 Special Hex Nut	0.305	0.146
0400832HNS	832 Special Hex Nut	0.34	0.17
0401024HNS	1024 Special Hex Nut	0.365	0.196
0401032HNS	1032 Special Hex Nut	0.365	0.196
0425020HNS	1/4-20 Special Hex Nut	0.425	0.258

Nylon Special Snap-In Standoff



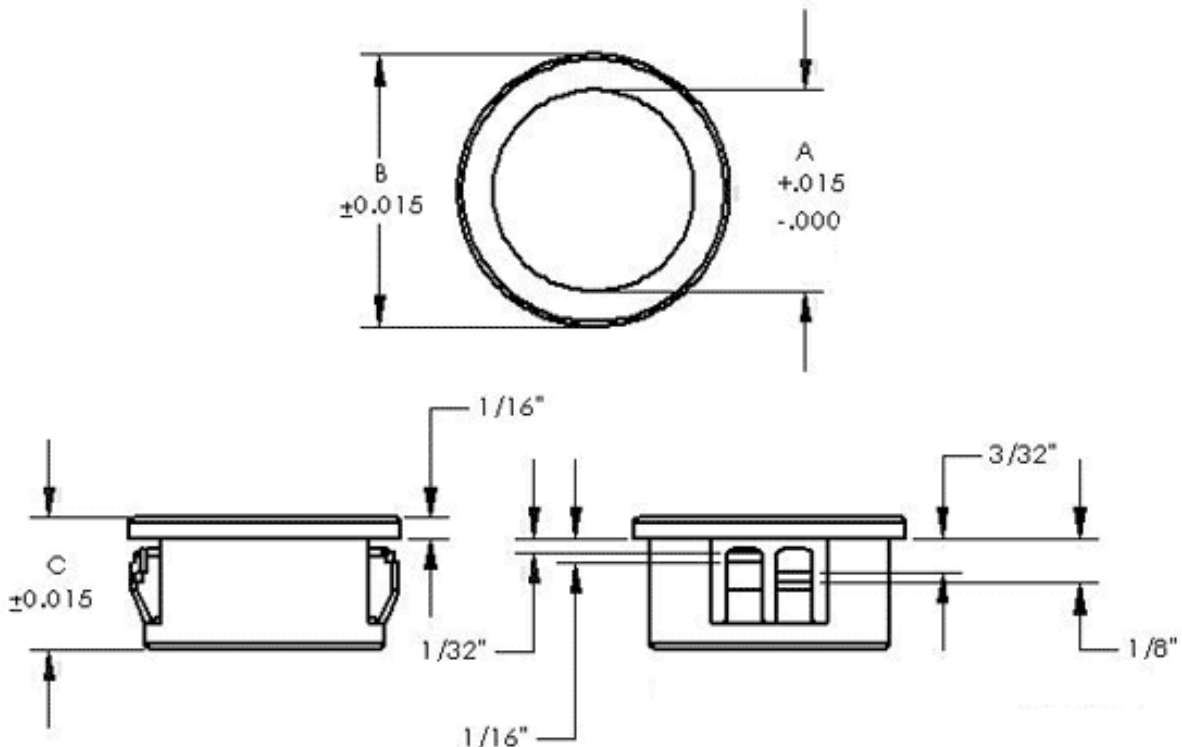
Item Number	Panel Thickness	Hole Size	L	O.D.	I.D.
13SS004018	.062	0.187	0.187	0.25	0.125

Square Head Nylon Grommet Nut



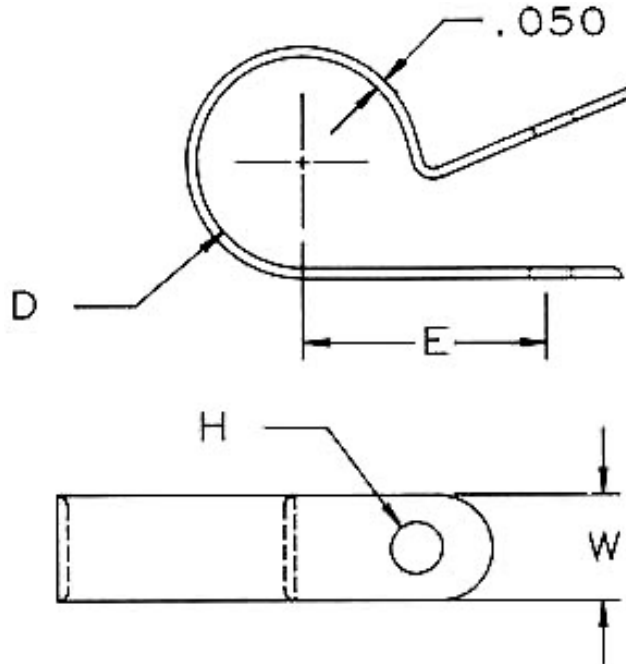
Item Number	Hole Size	Thickness Range	Screw	Head Size "B"	Height "A"	Length "C" (+/- .015)
60SGN00004	.275 / .290	.031 / .125	8 - 10	.375	0.25	0.32

Standard Insulating Bushings



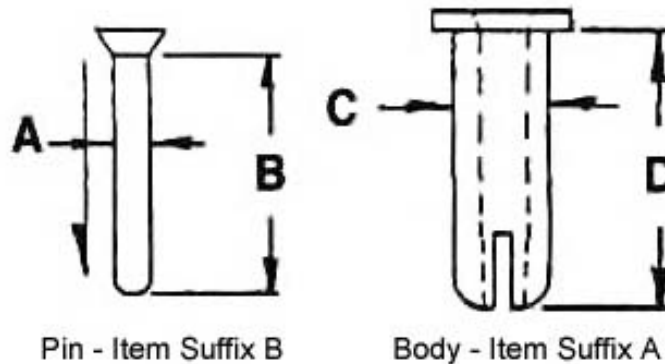
Item Number	Description	Packaged Qty.	Inside Dia. A	Head Dia. B (+/-.015)	Thickness C (+/-.015)	Hole Dia.	Max. Thickness
22MP04374	MP 4374	1000 Pcs.	0.25	0.531	0.406	0.437	0.125
22MP04375	MP 4375	1000 Pcs.	0.312	0.531	0.406	0.437	0.125
22MP04376	MP 4376	1000 Pcs.	0.243	0.531	0.406	0.437	0.125
22MP05004	MP 5004	1000 Pcs.	0.25	0.578	0.406	0.5	0.125

Standard Cable Clamps



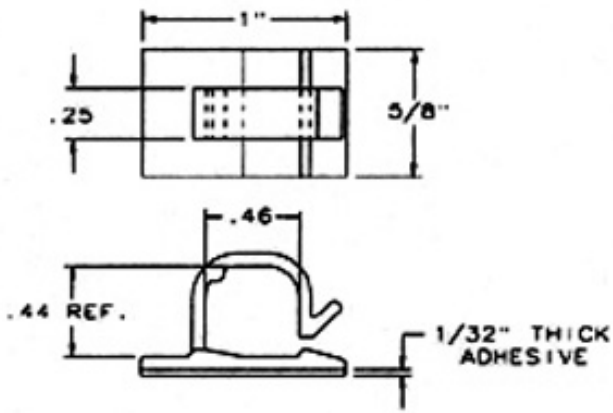
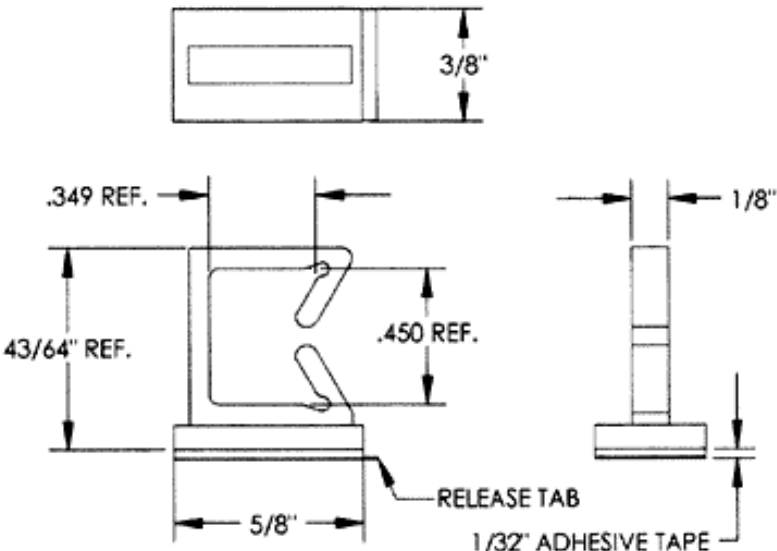
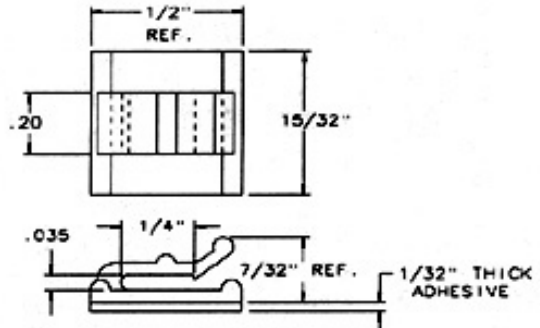
Item Number	Description	D	W	H (+/-.015)	E (+/-.015)
22CC37B0437	Std. Cable Clamp	0.4375	0.375	0.14	0.574
22CC37C0437	Std. Cable Clamp	0.4375	0.375	0.167	0.574
22CC37D0437	Std. Cable Clamp	0.4375	0.375	0.203	0.574

Two-Piece Nylon Fastener for use with Edge Connector Assembly

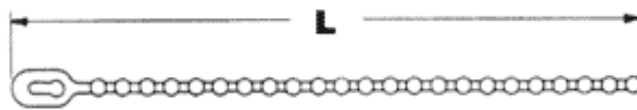


Item Number	Description	A or C Dim.	B or D Dim.
27TPF0004A	2 Pc. Edge Connector	0.096	0.34
27TPF0004B	2 Pc. Edge Connector	0.34	0.062

Releasable Adhesive Backed Wire Clips

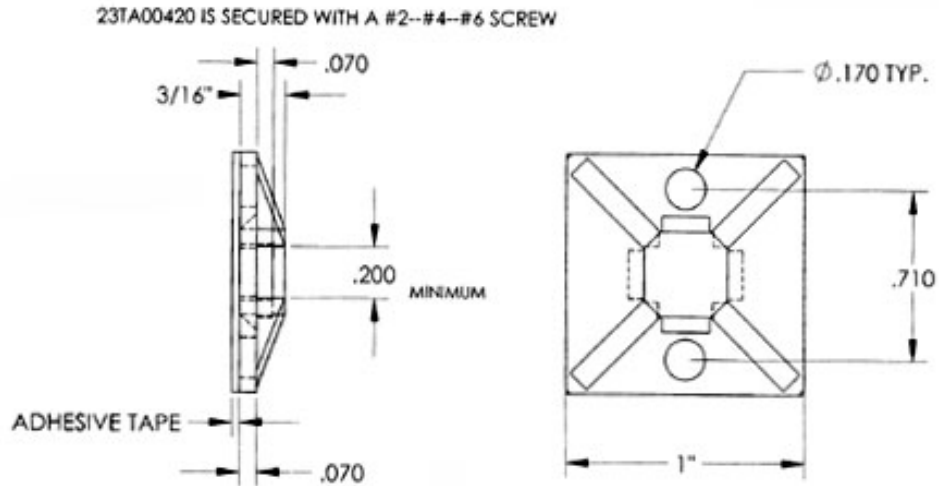
Item Number	Picture Specs.
22AWC00440	 <p>NOTE: ALL DIMENSIONS +/- .015</p>
22AWC350450TAB	 <p>RELEASE TAB 1/32" ADHESIVE TAPE</p>
22AWCF250047	 <p>NOTE: ALL DIMENSIONS +/- .015</p>

Beaded Ties



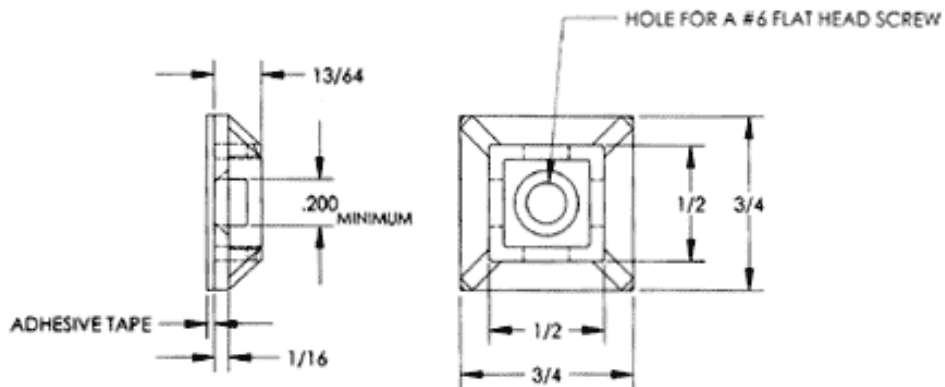
Item Number	Description	Length (+.015 -.050)
230425N	425 N	4.25
230425P	425 P	4.25

Cradle Mounts



Item Number	Description
23TA00400	1" Cradle Mount (Adhesive)
23TA00420	1" Cradle Mount (Screw)

Cradle Mounts

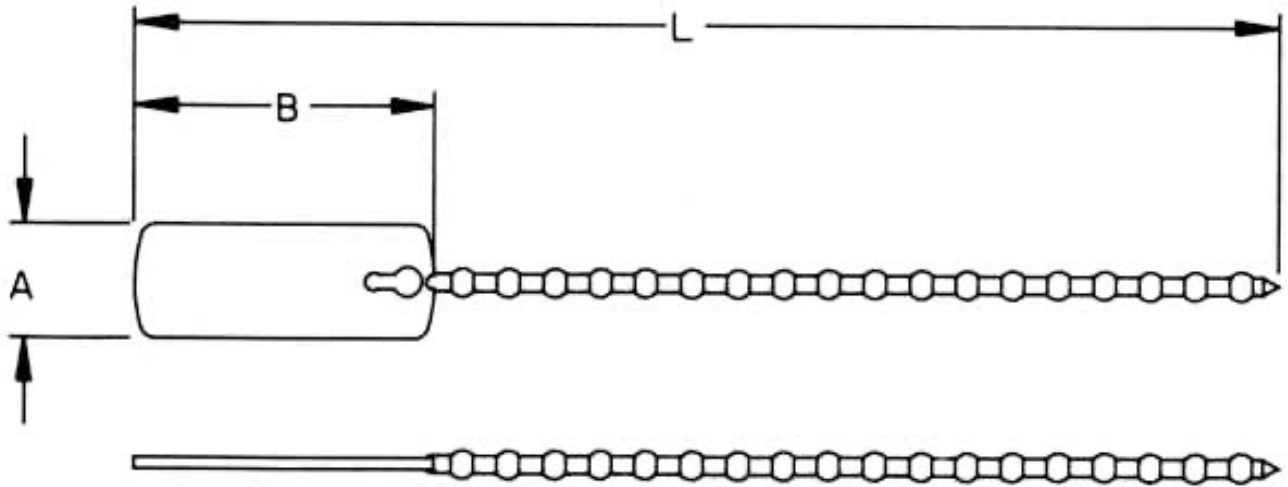


Item Number	Description
23TA00475	3/4 Cradle Mount (Adhesive)
23TA00495	3/4 Cradle Mount (Screw)

Fastener Assortment Kits

Item Number	Description
04AS0036CG	P.C.B. Card Guides Asst. Kit
04AS0075SR	Strain Relief Bushings Asst. Kit
04AS0107ABC	Adhesive Backed Clips Asst. Kit
04AS0113LCA	Lamp Accessories Kit
04AS0120WAR	Wall Anchor/Rivets Asst. Kit
04AS0130NHP	Hole Plugs Asst. Kit
04AS0140CC	Cable Clips Asst. Kit
04AS0150SB	Insulating Bushings Asst. Kit
04AS0162CA	Clips Asst. Kit
04AS0180TCH	Transistor Hardware Asst. Kit
04AS0180WT	Wire/Cable Ties Asst. Kit
04AS0190TLT	"EZ" Twist Locks Asst. Kit
04AS0201AFB	All-Fit Bushings Asst. Kit
04AS0290CC	Cable Clamps Asst. Kit
04AS0305MCS	Metal Core Screws Asst. Kit
04AS0320SWS	Shoulder Washers Asst. Kit
04AS0340SP	Spacers/Standoffs Asst. Kit
04AS0368DHP	Deluxe Hole Plugs Asst. Kit
04AS0380PRT	Poly Drive Rivets Asst. Kit
04AS0475HC	Hose Clamps Asst. Kit
04AS0480CBS	Circuit Board Supports Asst. Kit
04AS0510FW	Flat Washers Asst. Kit
04AS0581NIC	Nail-In Clips Asst. Kit
04AS0700ECA	2 Pc. Edge Connectors Asst. Kit
04AS0725MSP	P.C.B. Posts Asst. Kit
04AS0750MSN	Screws and Nuts Asst. Kit
04AS0900FAS	Fasteners Asst. Kit

Label Beaded Ties



Item Number	Description	A (+/- 1/32)	B (+/- 1/32)	L (+/- 1/8)
23LB0400N	Label Beaded Tie	0.5	1.3125	4
23LP0400N	Label Beaded Tie	0.5	1.3125	4

License Plate Fasteners

Picture Specs.	Item Number	Description
	0425020LPN	Plastic License Plate Nut (Std.)
	0425020LPNS	Plastics License Plate Nut (Special)

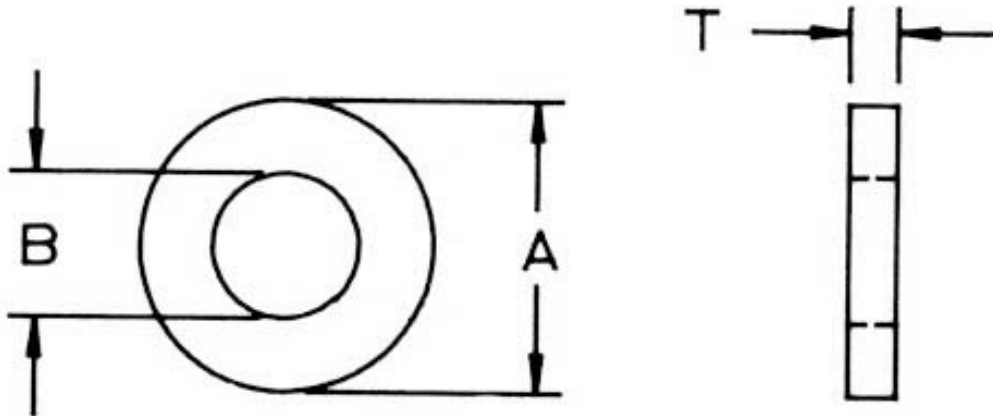
Metric Fastener Assortment Kits

Item Number	Description
04AS04115FWM	Metric Flat Washers Asst. Kit
04AS0655MMN	Metric Machine Screws and Nuts Asst. Kit
04AS0690SPM	Metric Spacers Asst. Kit
04AS0700SWSM	Metric Shoulder Washers Asst. Kit
04AS0705SCM	Metric Screw Insulators Asst. Kit
04AS0965MSM	Metric Machine Screws Asst. Kit

Thumb Screw Knob Assortment Kits

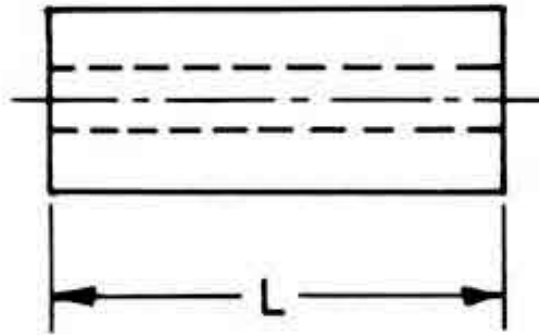
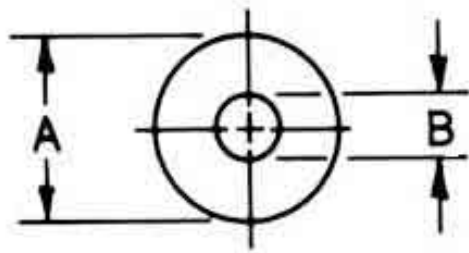
Item Number	Description
04AS0144FPL	Flowerette T.S. Knob Asst. Kit
04AS0312WPL	Wing T.S. Knob Asst. Kit
04AS0380RPL	Round T.S. Knob Asst. Kit (Small)
04AS0704RPL	Round T.S. Knob Asst. Kit (Large)

Nylon Standard Flat Washers



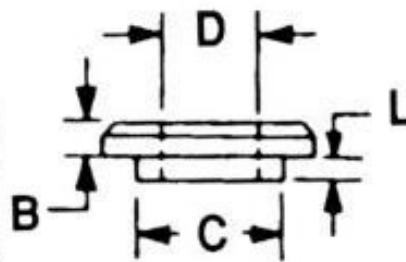
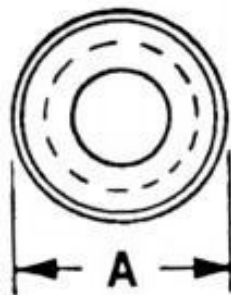
Item Number	Description	A	B	T
16FW004032	FW 4-032	0.25	0.115	0.032
16FW004062	FW 4-062	0.25	0.115	0.062
16FW004093	FW 4-093	0.25	0.115	0.093
16FW004125	FW 4-125	0.25	0.115	0.125

Standard Long Nylon Spacers



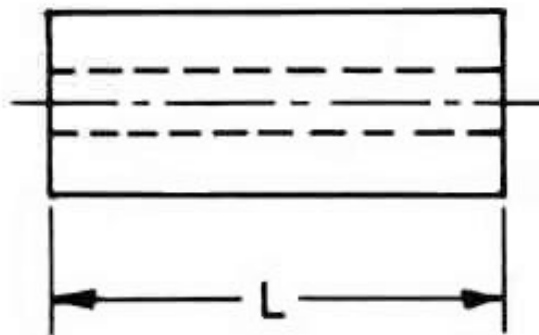
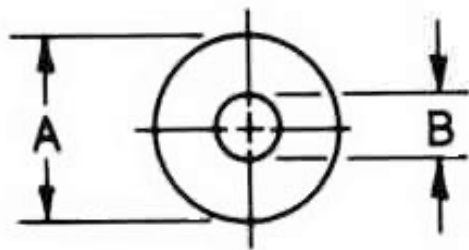
Item Number	Description	A	B	L
13SP304	SP 304	0.25	0.115	1.125

Nylon Standard Shoulder Washers



Item Number	Description	L	A	B	C	D
24SW0004	SW 4	0.04	0.281	0.04	0.187	0.122

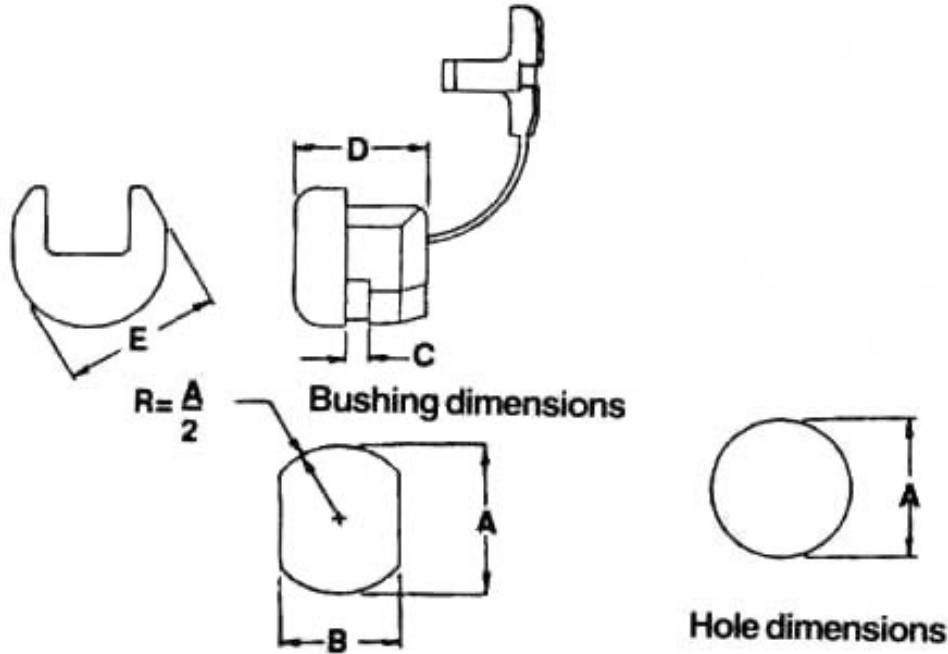
Standard Nylon Spacers



Item Number	Description	SCREW	A	B	L
13SP004	SP 4	4	0.1875	0.115	0.1875
13SP040	SP 40	4	0.25	0.115	0.25
13SP041	SP 41	6	0.25	0.14	0.25
13SP042	SP 42	8	0.25	0.171	0.25
13SP043	SP 43	2	0.25	0.091	0.3125
13SP044	SP 44	4	0.25	0.115	0.3125
13SP045	SP 45	6	0.25	0.14	0.3125
13SP046	SP 46	8	0.25	0.171	0.3125

13SP047	SP 47	2	0.25	0.091	0.375
13SP048	SP 48	4	0.25	0.115	0.375
13SP049	SP 49	6	0.25	0.14	0.375
13SP104	SP 104	6	0.3125	0.14	0.3125
13SP204	SP 204	8	0.5	0.171	0.125

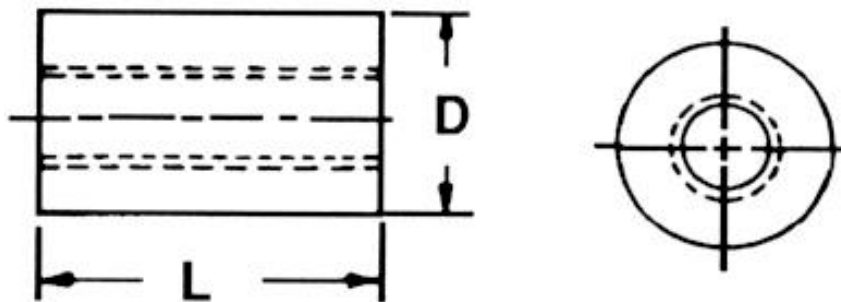
Strain Relief Bushings



Item Number	UL/CSA Desc.	Cross Section	Cable Size	Cable Type	Gauge (AWG)	Strap Type	Dia. A	Flats B	Max. Panel Thk. C	Length D	Width E	
23MP04J40	MP4J4	Flat	.120 X .300	SPT-1, SPT-2, HPN	18/3, 18/2	"Y"	.500	0.465	0.032	0.406	0.578	1000
23MP04K10	MP4K1	Flat	.150 X .400	SPT-2	18/3	"Y"	.500	0.46	0.095	0.495	0.565	1000
			.160 X .300	HPN	16/2							
			.160 X .300	SPT-2	16/2							
			.150 X .280	HPN	18/2							
			.150 X .280	SPT-2	18/2							
23MP04K1Z	MP4K1Z	Flat	.150 X .400	SPT-2	18/3	"Z"	.500	0.46	0.095	0.495	0.565	1000

			.160 X .300	HPN	16/2							
			.160 X .300	SPT-2	16/2							
			.150 X .280	HPN	18/2							
			.150 X .280	SPT-2	18/2							
23MP04K40	MP4K4	Flat	.120 X .300	SPT-1, SPT-2, HPN	18/3, 18/2	"Y"	.500	0.465	0.1	0.406	0.578	1000
23MP04L10	MP4L10	Flat	.150 X .400	SPT-1	18/3	"Z"	.500	0.46	0.187	0.495	0.565	1000
			.160 X .300	HPN	16/2							
			.160 X .300	SPT-2	16/2							
			.150 X .280	HPN	18/2							
			.150 X .280	SPT-2	18/2							
23MP04L40	MP4L4	Flat	.120 X .300	SPT-1, SPT-2, HPN	18/3, 18/2	"Y"	.500	0.465	0.156	0.406	0.578	1000
23MP04N40	MP4N4	Flat	.120 X .300	SPT-1, SPT-2, HPN	18/3, 18/2	"Y"	.500	0.465	0.062	0.406	0.578	1000

Tapped Nylon Spacers



Item Number	Description	Tapped	D	L
15TSP004	TSP 4	4-40*	0.25	0.75

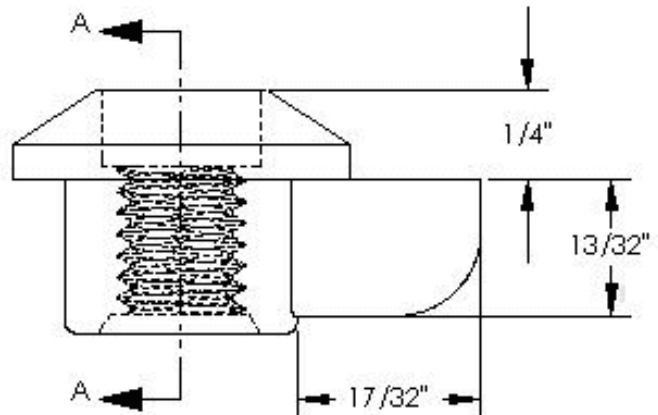
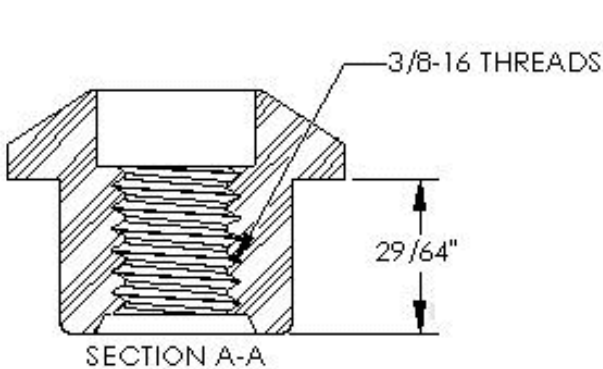
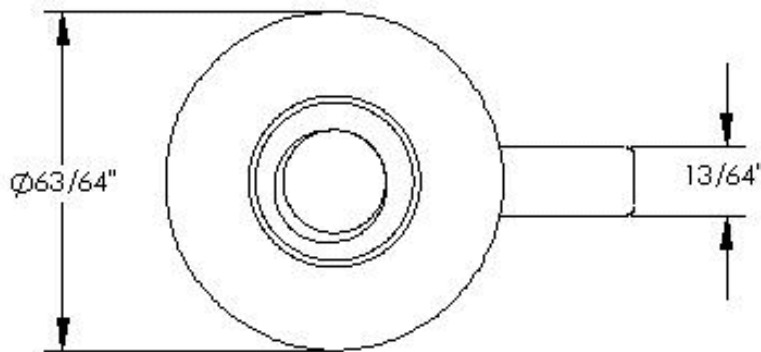
15TSP040	TSP 40	8-32***	0.25	0.625
15TSP041	TSP 41	8-32***	0.25	0.875
15TSP042	TSP 42	8-32***	0.3125	0.625
15TSP043	TSP 43	8-32***	0.3125	0.875
15TSP044	TSP 44	10-32****	0.375	0.625
15TSP045	TSP 45	10-32****	0.375	0.875
15TSP046	TSP 46	10-32****	0.5	0.625
15TSP047	TSP 47	10-32****	0.5	0.875
15TSP048	TSP 48	1/4-20	0.5	0.625
15TSP049	TSP 49	1/4-20	0.5	0.875
15TSP104	TSP 104	4-40	0.1875	0.4375

Threaded Rod



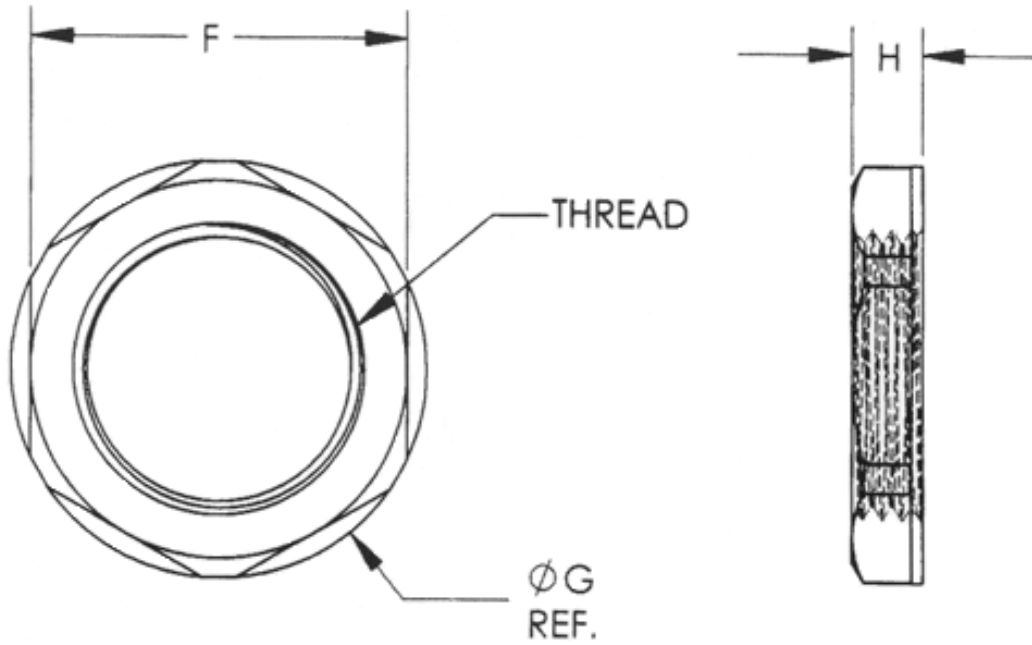
Item Number	Description
3800440TR	440 Threaded Rod

Toilet Seat Nut



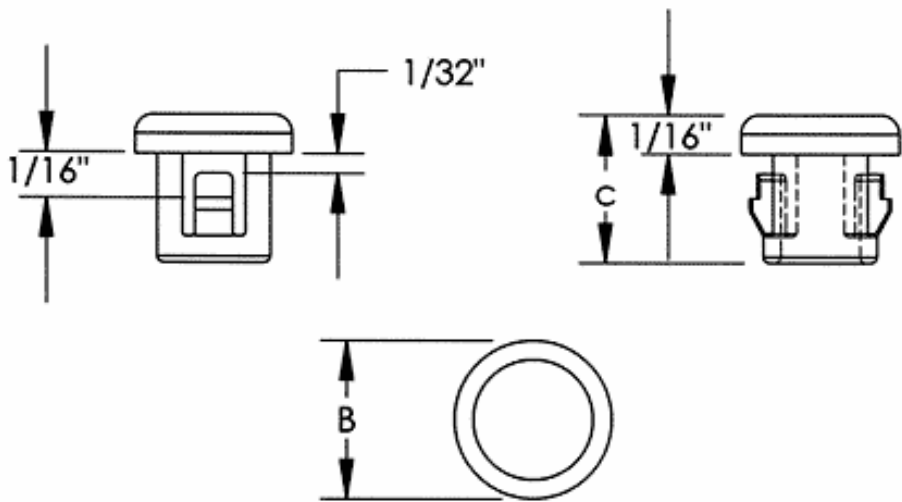
Item Number	Description
0437516TSN	Toilet Seat Nut

Hex Jam Nut w Washer Face



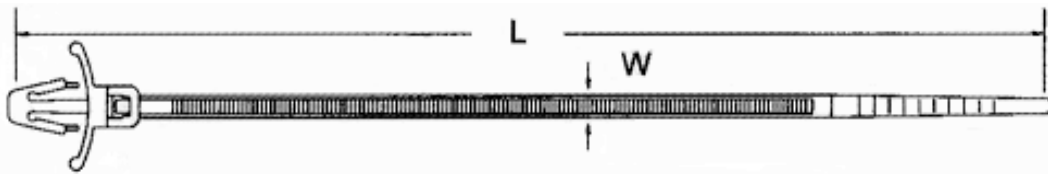
Item Number	Description	F	G	H
0410011PJN	1 - 11.5 Hex Jam Nut NPT	1.656	1.844	0.3125
0412511PJN	1.25 - 11.5 Hex Jam Nut NPT	2.125	2.344	0.375

Window Plugs



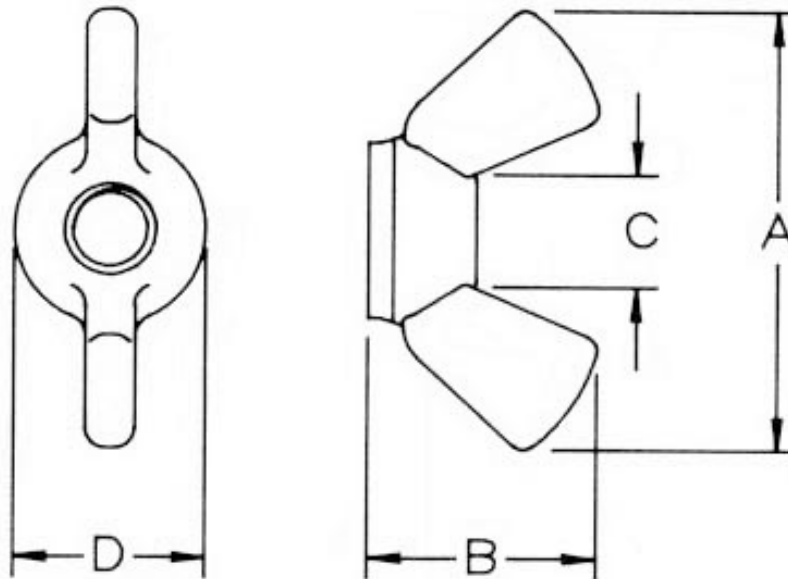
Item Number	Description	Hole Dia.	Max. Panel Thickness	Head Dia. "B" (+/- .015)	Thickness "C" (+/- .015)
62WP0437	7/16 Window Plug	0.437	0.125	0.531	0.406

Wing Mount Cable Tie



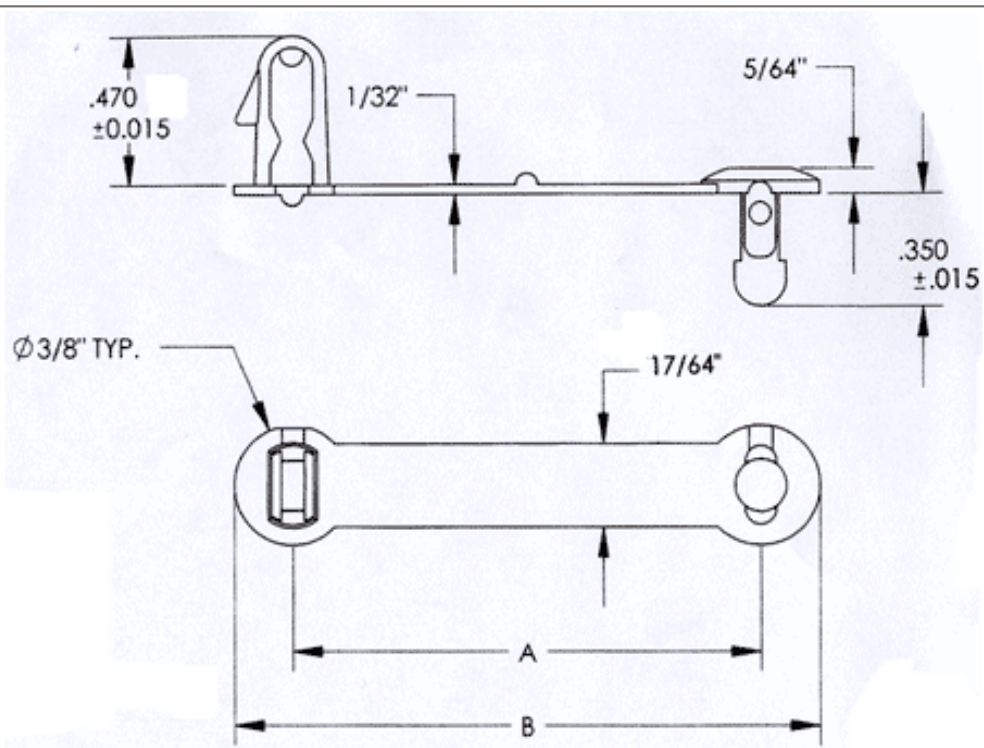
Item Number	Description	Max. Strength	Length	Width	Mtg. Hole	Max. Panel Thk.	Max. Bundle Dia.
NTA13048WPM	Wing Mount Cable Tie	50 Lb.	5.12	0.189	0.236	0.07	1.18
NTA13048WPMB	Wing Mount Cable Tie - Black	50 Lb.	5.12	0.189	0.236	0.07	1.18
NTA20048WPM	Wing Mount Cable Tie	50 Lb.	7.87	0.189	0.236	0.07	1.97
NTA20048WPMB	Wing Mount Cable Tie - Black	50 Lb.	7.87	0.189	0.236	0.07	1.97

Nylon Wing Nuts



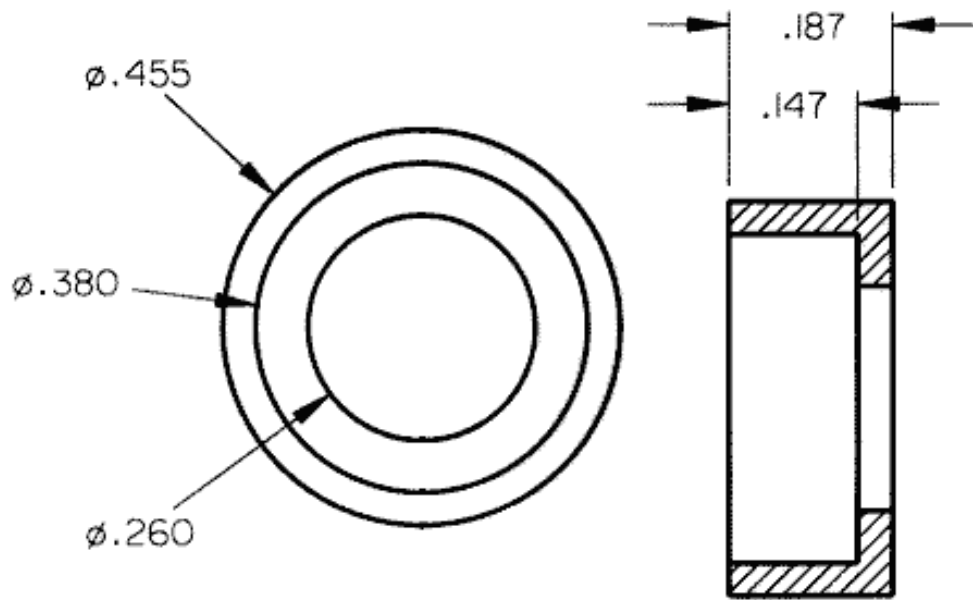
Item Number	Description	A (Ref.)	B	C	D
0600440WN	440 Wing Nut	0.9	0.48	0.23	0.4

Wire-Tube Retaining Straps



Item Number	Bundle Diameter	A Ref.	B. Ref.
22WTR2500437	.437	1.93	2.305

Lamp Snap Bushings



Item Number	04MP0125SB0D
--------------------	---------------------


micro plastics, inc.

The world's largest manufacturer of threaded nylon fasteners.

Highway 178 North Flippin, AR 72634 USA
Voice: 870.453.8861 Fax: 870.453.8676