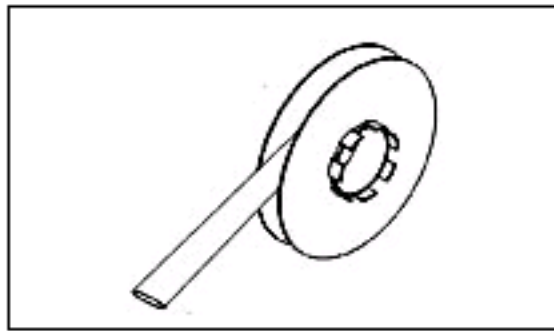


TTMS-3.2-9 Product Details

[Share](#) |
 [Print](#) |
 [Email](#)



TTMS-3.2-9

TE Internal Number: 997183-000

[Active](#)

Heat Shrink Sleeve

[Always EU RoHS/ELV Compliant \(Statement of Compliance\)](#)

Product Highlights:

- TTMS Series
- Military Grade
- Radiation Cross-Linked Polyolefin Material
- Shrink Ratio = 3:1
- Operating Temperature = -55 - 135 °C

[View all Features](#)

[Add to My Part List](#) |
 [Request Sample](#) |
 [Find Similar Products](#) |
 [Buy Product](#)

Quick Links

- ▶ [Check Pricing & Availability](#)
- ▶ [Search for Tooling](#)
- ▶ [Product Feature Selector](#)
- ▶ [Contact Us About This Product](#)

Documentation & Additional Information

Product Drawings:

- None Available

Catalog Pages/Data Sheets:

- None Available

Product Specifications:

- None Available

Application Specifications:

- None Available

Instruction Sheets:

- None Available

CAD Files:

- None Available

Related Products:

- [Tooling](#)

[List all Documents](#)

Product Features (Please use the Product Drawing for all design activity)

Product Type Features:

- Series = TTMS
- [Grade](#) = Military
- [Material](#) = Radiation Cross-Linked Polyolefin
- Color = White

Electrical Characteristics:

- [Expanded ID, Min. \(mm \[in\]\)](#) = 3.18 [0.125]
- [Recovered ID, Max. \(mm \[in\]\)](#) = 1.07 [0.042]

Body Features:

- [Shrink Ratio](#) = 3:1
- [Recommended Wire OD Use Range \(mm \[in\]\)](#) = 1.11 - 2.66 [0.044 - 0.105]
- [Wall Thickness - Full Recovery \(Nominal\) \(mm \[in\]\)](#) = 0.58 [0.023]

Industry Standards:

- [RoHS/ELV Compliance](#) = RoHS compliant, ELV compliant
- [Lead Free Solder Processes](#) = Not relevant for lead free process
- RoHS/ELV Compliance History = Always was RoHS compliant

Environmental:

- [Operating Temperature \(°C \[°F\]\)](#) = -55 - +135 [-67 - +275]

Packaging Features:

- Packaging Quantity = 100

Other:

- Brand = Tyco Electronics

Corporate Information

- [Who We Are](#)
- [Investors](#)
- [News Room](#)
- [Supplier Portal](#)
- [Careers](#)

Quick Links

- [Check Distributor Inventory](#)
- [Cross Reference](#)
- [Find Documents & Drawings](#)
- [Product Compliance Support Center](#)
- [Site Map](#)

Customer Support

- [Email or Chat With Us](#)
- [Find a Phone Number](#)
- [Search Knowledge Base](#)
- [Manage your Account](#)

Keep Me Informed

Receive TE News, Events & Technology Updates

Enter your email address

