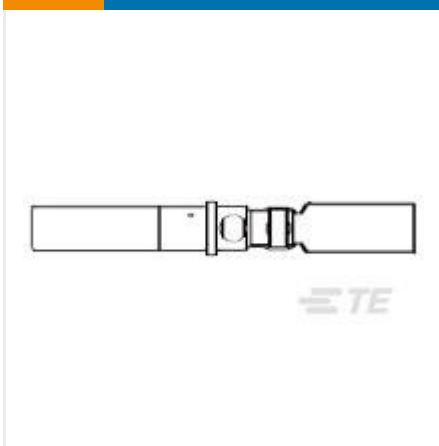




**HARNESSING**

**SHIELDED CONTACTS**



✓ Active

TE CONNECTIVITY (TE)

**D-602-0145**

Raychem

D-602-0145

TE Internal Number: 507762-000

Alias ID: 4-1193976-0

Not EU RoHS Compliant

Not EU ELV Compliant

**Product Type** Contact

**Wire/Cable Type** Coaxial

**Contact Style** Socket

**Contact Size** 12



**PRODUCT DRAWING**

English

## DOCUMENTATION

Product Drawings

**Socket, SolderTact, Removable, Shielded, Size 12, M39029/75 Type For MIL-C-38999 Series I, III And IV Connectors**

PDF

**English**

Catalog Pages/Data Sheets

**SolderTacts Contacts**

PDF

**English**

Product Specifications

Product Specification

**SolderTact Military-Grade Electrical Contacts For Solder Termination**

PDF

**English**

## Terminating Size 12 Series 999 SolderTact Contacts For Coaxial Cable D-602-0144, -0145

PDF

English

## Workmanship Standard For SolderTact Contacts

PDF

English

## FEATURES



Please review product documents or [contact us](#) for the latest agency approval information.

Please Note: Use the Product Drawing for all design activity.

### Product Type Features

**Product Type** Contact

**Wire/Cable Type** Coaxial

### Contact Features

**Contact Style** Socket

**Contact Size** 12

### Termination Features

**Termination Method** Solder

### Usage Conditions

**Operating Temperature (Max) (°C)** 150

### Industry Standards

**Government Qualified** No

**Military Standard** MIL-C-38999 I, III, IV

### Statement of Compliance

**Statement of Compliance**

PDF