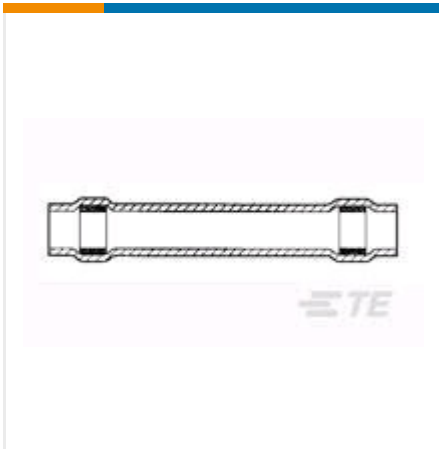




[+ TERMINALS & SPLICES](#)

[SPLICES](#)



✓ Active

TE CONNECTIVITY (TE)

**D-200-84**

Raychem

D-200-84

TE Internal Number: C60253-000

Alias ID: 3-1202147-7

[EU RoHS Compliant](#)

[EU ELV Compliant](#)

**Product Type** Splice

**Terminal & Splice Style** Splice

**Wire Size (AWG)** 16 – 12

**Wire Size (mm<sup>2</sup>)** 1.25 – 3

**Sealable** Yes

[↓ PRODUCT DRAWING](#)  
English

## DOCUMENTATION

Product Drawings

**[In-Line Splice Sealing System, 1 To 1 Nickel Plated Crimp, 200deg.C](#)**

PDF

English

Catalog Pages/Data Sheets

**[1654025\\_Sec8\\_D-200](#)**

PDF

English

**[RAYCHEM\\_D-200\\_MINISEAL\\_CRIMP\\_SPLICES](#)**

PDF

English

Please review product documents or [contact us](#) for the latest agency approval information.

Please Note: Use the Product Drawing for all design activity.

---

#### Product Type Features

**Product Type** Splice  
**Sealable** Yes  
**Splice Type** Butt Splice  
**Serrated** No  
**Barrel Type** Closed Barrel  
**Wire/Cable Type** Insulated Wire  
**Insulated** Yes  
**Insulated Wire Support** No

---

#### Configuration Features

**Splice Configuration** Single to Single

---

#### Body Features

**Color** Blue  
**Insulation Material** Heat Shrink Radiation-Crosslinked Modified Fluoropolymer  
**Plating Material** Nickel  
**Weight per Piece (g)** .16  
**Insulation Sleeve Material** Fluoropolymer

---

#### Contact Features

**Terminal & Splice Style** Splice

---

#### Termination Features

**Termination Method** Crimp

---

#### Dimensions

**Wire Size (AWG)** 16 – 12  
**Wire Size (mm<sup>2</sup>)** 1.25 – 3  
**Wire Insulation Diameter (Max)** 2.692 mm [ .106 in ]  
**Barrel Inside Diameter** 4.32 mm [ .17 in ]  
**Wire Size (CMA)** 2510 – 6654  
**Overall Length** 24.13 mm [ .95 in ]

---

#### Usage Conditions

**Operating Temperature Range (°C)** 200

---

#### Operation/Application

**Heavy Duty** No

---

#### Industry Standards

**Government Qualified** No

---

Packaging Features

**Packaging Method** Package

**Packaging Quantity** 100

---

Other

**Comment** Parts will meet all performance requirements of SAE AS-81824 when properly installed.

**Barrel Color** Clear

---

## PRODUCT COMPLIANCE



Statement of Compliance

**Statement of Compliance**

PDF

---