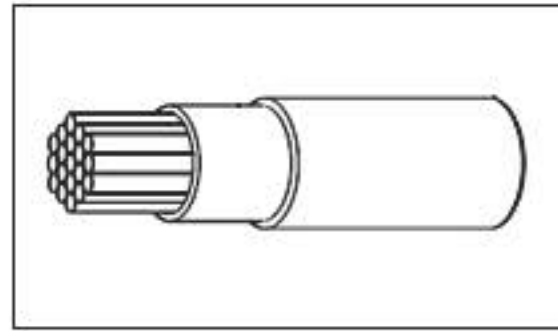


FLDWC0311-22-2 Product Details

[Share](#) [Print](#) [Email](#)


FLDWC0311-22-2

TE Internal Number: 436685-000

[Active](#)

Commercial Wire

[Always EU RoHS/ELV Compliant \(Statement of Compliance\)](#)

Product Highlights:

- Cable Type = FlexLite DW
- Conductor Type = Tin-Plated Copper
- Conductor (Wire) Size = 22 AWG
- Temperature Range = -45 - 125 °C
- Color = Red

[View all Features](#)

Quick Links

- ▶ [Check Pricing & Availability](#)
- ▶ [Search for Tooling](#)
- ▶ [Product Feature Selector](#)
- ▶ [Contact Us About This Product](#)

[Add to My Part List](#)
[Request Sample](#)
[Find Similar Products](#)
[Buy Product](#)

Documentation & Additional Information	
<p>Product Drawings:</p> <ul style="list-style-type: none"> • DUAL WALL HOOKUP WIRE, RADIATION-CROSSLINKED, POLYAL... (PDF, English) <p>Catalog Pages/Data Sheets:</p> <ul style="list-style-type: none"> • None Available <p>Product Specifications:</p> <ul style="list-style-type: none"> • None Available <p>Application Specifications:</p> <ul style="list-style-type: none"> • None Available <p>Instruction Sheets:</p> <ul style="list-style-type: none"> • None Available <p>CAD Files:</p> <ul style="list-style-type: none"> • None Available 	<p>Related Products:</p> <ul style="list-style-type: none"> • Tooling
List all Documents	

Product Features (Please use the Product Drawing for all design activity)	
<p>Product Type Features:</p> <ul style="list-style-type: none"> • Cable Type = FlexLite DW • Color = Red • Cable Style = Primary • Number of Conductors = 1 <p>Electrical Characteristics:</p> <ul style="list-style-type: none"> • Number of Strands x AWG = 19 Strands x 34 AWG • Voltage (VAC) = 600 • Resistance, Maximum (Ω/1000 ft@68°F) = 52.2 <p>Body Features:</p> <ul style="list-style-type: none"> • Conductor Type = Tin-Plated Copper • Wire Type = Stranded • Cable Diameter Range (mm [in]) = 1.32 - 1.42 [0.052 - 0.056] • Nominal Weight (kg/km) = 5.21 	<p>Configuration Features:</p> <ul style="list-style-type: none"> • Conductor (Wire) Size = 22 AWG • Conductor Diameter (mm [in]) = 0.75 [0.030] <p>Industry Standards:</p> <ul style="list-style-type: none"> • RoHS/ELV Compliance = RoHS compliant, ELV compliant • Lead Free Solder Processes = Not relevant for lead free process • RoHS/ELV Compliance History = Always was RoHS compliant <p>Conditions for Usage:</p> <ul style="list-style-type: none"> • Temperature Range (°C) = -45 - +125 <p>Product Availability:</p> <ul style="list-style-type: none"> • Region = Americas, Asia/Pacific <p>Other:</p> <ul style="list-style-type: none"> • Brand = Raychem

<p>Corporate Information</p> <ul style="list-style-type: none"> Who We Are Investors News Room Supplier Portal Careers 	<p>Quick Links</p> <ul style="list-style-type: none"> Check Distributor Inventory Cross Reference Find Documents & Drawings Product Compliance Support Center Site Map 	<p>Customer Support</p> <ul style="list-style-type: none"> Email or Chat With Us Find a Phone Number Search Knowledge Base Manage your Account 	<p>Keep Me Informed</p> <p>Receive TE News, Events & Technology Updates</p> <p>Enter your email address <input type="text"/> ▶</p> <p> </p> <p></p>
--	--	---	--