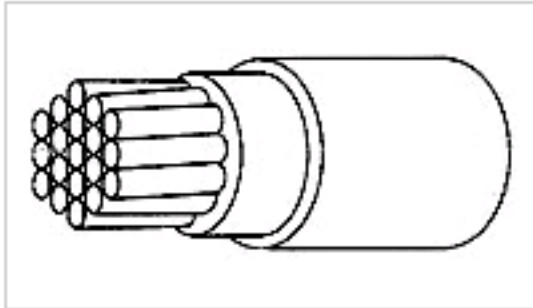




100G0111-1.50-1 Product Details

[Share](#) | [Print](#) | [Email](#)


Spec 99 and Spec 100 Wire and Cable

100G0111-1.50-1

100G0111-1.50-1

TE Internal Number: 0186433001

Active

Product Highlights [View All](#)

- Cable Type = Spec 100G
- Cable Style = Primary
- Wire Size (AWG or Metric) = 1.50 mm²
- Number of Conductors = 1
- General Purpose Application

[Pricing & Availability](#)

[Request Sample](#)

[Add to My Part List](#)

[Buy Product through Distributor](#)

Feedback

[Documents](#) | [Features](#) | [Compliance](#)

Please Note:

Use the Product Drawing for all design activity

Product Type Features

Cable Type	Spec 100G
Cable Style	Primary

Electrical Characteristics

Wire Size (AWG or Metric)	1.50 mm ²
Voltage Rating (VAC)	600

Dimensions

Conductor Outer Diameter (mm [in])	1.52 [0.060]
------------------------------------	--------------

Body Features

Wire Color	Brown
Nominal Outside Diameter (mm [in])	2.10 [0.0826]
Wire Diameter (mm [in])	2.10 [0.0826]
Conductor Type	Tin-Coated Copper

Configuration Features

Number of Conductors	1
----------------------	---

Industry Standards

RoHS/ELV Compliance	RoHS compliant, ELV compliant
---------------------	-------------------------------

Lead Free Solder Processes	Not relevant for lead free process
----------------------------	------------------------------------

RoHS/ELV Compliance History	Always was RoHS compliant
-----------------------------	---------------------------

Conditions for Usage

Temperature Range (°C)	-30 - +105, 150
------------------------	-----------------

Operation/Application

Application	General Purpose
-------------	-----------------

Packaging Features

Wire Source	United Kingdom
-------------	----------------

Other

Brand	Raychem
Node Classification	Hook Up Wire

Related Products

Not quite the product you're looking for?

[Find Similar Products](#)

[View Part in Product Feature Selector](#)

[Check for Tooling](#)

Corporate Information

- [About TE](#)
- [Investors](#)
- [News Room](#)
- [Supplier Portal](#)
- [Careers](#)
- [Terms & Conditions](#)
- [Privacy Policy](#)
- [Global Accessibility Statement](#)

Quick Links

- [Distributor Inventory](#)
- [Product Cross Reference](#)
- [Documents & Drawings](#)
- [Product Compliance Support Center](#)
- [Site Map](#)

Customer Support

- [Email or Chat With Us](#)
- [Find a Phone Number](#)
- [Knowledge Base](#)
- [Manage Your Account](#)

Keep Me Informed

