



MW Industries, Inc.

- Home

- Products

- Online Catalog

- Request Quote

- Order Online

- Check Stock

- Request Print Catalog

- Request Samples

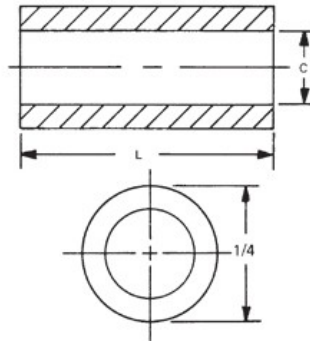
- Engineering Data

- Distributors

- Capabilities Brochure

Home > [1/4 Round Spacers](#)

1/4 ROUND SPACERS



[Home](#) [Previous](#) [Next](#)
[Related Metric](#)

Ordering Code			
xxxxx	x	xx	x
Length	Clearance Hole	Material	Finish

PART: 1127 6 AL

Red ?'s show missing selections. [Help](#)

- [Material Specifications](#)
- [Ordering non-standard items](#)
- [Download a Drawing](#)

Add to Cart

CALL NOW:
203 888-2133

Qty1 * Qty2

Qty3

<input type="radio"/>	1124	1/4
<input type="radio"/>	1124T	9/32
<input type="radio"/>	1125	5/16
<input type="radio"/>	1125T	11/32
<input type="radio"/>	1126	3/8
<input type="radio"/>	1126T	13/32
<input checked="" type="radio"/>	1127	7/16
<input type="radio"/>	1127T	15/32
<input type="radio"/>	1128	1/2
<input type="radio"/>	1128T	17/32
<input type="radio"/>	1129	9/16
<input type="radio"/>	1129T	19/32
<input type="radio"/>	1130	5/8

Clearance Hole *

Select	Code	+0.010-.000
<input type="radio"/>	2	.090
<input type="radio"/>	4	.115
<input checked="" type="radio"/>	6	.140
<input type="radio"/>	8	.166

Material *

Select	Code	Material	RoHS
<input checked="" type="radio"/>	AL	Aluminum	YES
<input type="radio"/>	B	Brass	YES
<input type="radio"/>	SS	Stainless Steel	YES
<input type="radio"/>	S	Steel	YES
<input type="radio"/>	N	Nylon	YES
<input type="radio"/>	PH	Phenolic	YES



Finish *

<input checked="" type="radio"/>	Plain Finish
<input type="radio"/>	1-Cad clear chromate/commercial*
<input type="radio"/>	2-Cad clear chromate*
<input type="radio"/>	3-Cad yellow chromate*
<input type="radio"/>	4-Chrome over nickel
<input type="radio"/>	5-Nickel
<input type="radio"/>	6-Gold iridite*
<input type="radio"/>	7-Clear iridite
<input type="radio"/>	9-Alodine 1200*
<input type="radio"/>	10-Bright chrome
<input type="radio"/>	11-Satin chrome
<input type="radio"/>	12-Zinc

