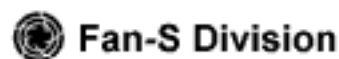


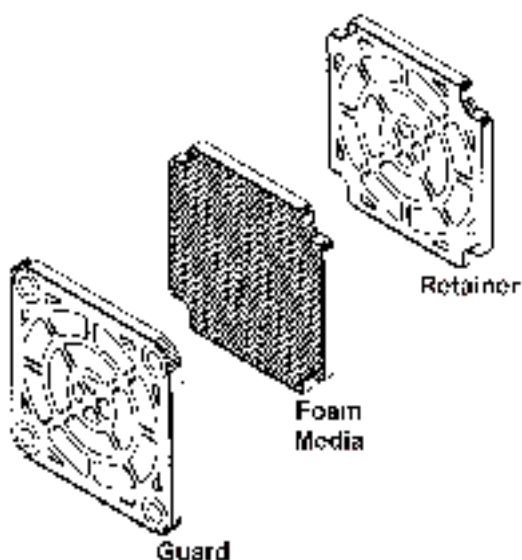
**FAN ACCESSORIES**

**Qualtek** ELECTRONICS CORPORATION

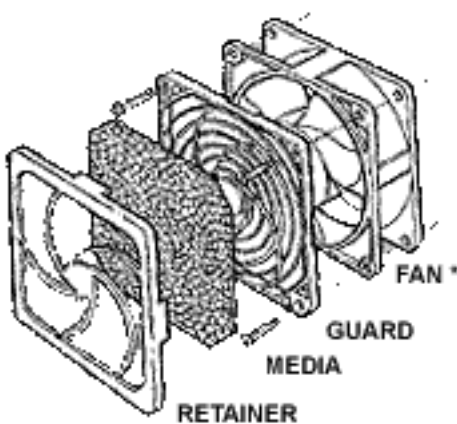


*Plastic Fan Filter Assemblies - 09 Series*

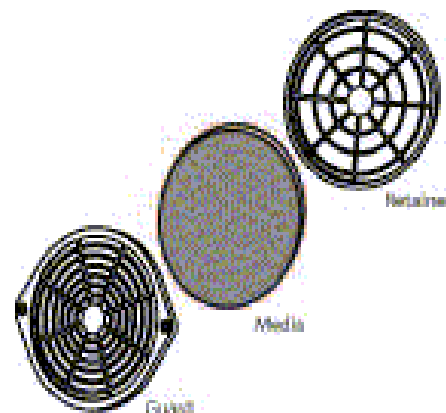
Fan-S offers a unique fan filter package consisting of a guard, foam filter media and media retainer for the removal of dust and contaminating particles with quick and simple installation. 30, 45, 60 and 100 ppi media are standard for use with 40mm (1 1/2"), 60mm (2 1/2"), 80mm (3 1/8"), 92mm (3 5/8"), 120mm (4 1/2"), and 150mm (6") tube axial fans.



**Figure A**



**Figure B**



**Figure C**

\*Fan not supplied by Qualtek.

Part No.	Description	Size (inches)			
		H	W	T	M/C
<b>40 mm - 1 1/2" Figure A</b>					
09150-F/30	Guard, Retainer, Media (30 PPI)**	1.57	1.57	.19	1.26
09150-F/45	Guard, Retainer, Media (45 PPI)**	1.57	1.57	.19	1.26
09150-F/60	Guard, Retainer, Media (60 PPI)**	1.57	1.57	.19	1.26
09150-F/100	Guard, Retainer, Media (100 PPI)**	1.57	1.57	.19	1.26
09150-M/30*	Foam Media (30 PPI)**	1.29	1.29	.09	--
09150-M/45*	Foam Media (45 PPI)**	1.29	1.29	.09	--
09150-M/60*	Foam Media (60 PPI)**	1.29	1.29	.09	--

09150-M/100*	Foam Media (100 PPI)**	1.29	1.29	.09	--
09150-G	Guard Only	1.57	1.57	.19	1.26
09150-R	Retainer Only	1.57	1.57	.19	--
<b>60 mm - 2 1/2" Figure A</b>					
09250-F/30	Guard, Retainer, Media (30 PPI)**	2.36	2.36	.25	1.97
09250-F/45	Guard, Retainer, Media (45 PPI)**	2.36	2.36	.25	1.97
09250-F/60	Guard, Retainer, Media (60 PPI)**	2.36	2.36	.25	1.97
09250-F/100	Guard, Retainer, Media (100 PPI)**	2.36	2.36	.25	1.97
09250-M/30*	Foam Media (30 PPI)**	2.20	2.20	.11	--
09250-M/45*	Foam Media (45 PPI)**	2.20	2.20	.11	--
09250-M/60*	Foam Media (60 PPI)**	2.20	2.20	.11	--
09250-M/100*	Foam Media (100 PPI)**	2.20	2.20	.11	--
09250-G	Guard Only	2.36	2.36	.25	1.97
09250-R	Retainer Only	2.23	2.23	.11	--
<b>80 mm - 3 1/8" Figure B</b>					
09325-F/30	Guard, Retainer, Media (30 PPI)**	3.29	3.29	.39	2.81
09325-F/45	Guard, Retainer, Media (45 PPI)**	3.29	3.28	.39	2.81
09325-F/60	Guard, Retainer, Media (60 PPI)**	3.29	3.28	.39	2.81
09325-F100	Guard, Retainer, Media (100 PPI)**	3.29	3.28	.39	2.81
09325-M/30*	Foam Media (30 PPI)**	3.06	3.06	.15	--
09325-M/45*	Foam Media (45 PPI)**	3.06	3.06	.15	--
09325-M/60*	Foam Media (60 PPI)**	3.06	3.06	.15	--
09325-M/100*	Foam Media (100 PPI)**	3.06	3.06	.15	--
09325-G	Guard Only	3.15	3.15	.26	2.81
09325-R	Retainer Only	3.29	3.29	.39	--
<b>92 mm - 3 5/8" Figure B</b>					
09362-F/30	Guard, Retainer, Media (30 PPI)**	3.80	3.80	.39	3.25
09362-F/45	Guard, Retainer, Media (45 PPI)**	3.80	3.80	.39	3.25
09362-F/60	Guard, Retainer, Media (60 PPI)**	3.80	3.80	.39	3.25

09362-F/100	Guard, Retainer, Media (100 PPI)**	3.80	3.80	.39	3.25
09362-M/30*	Foam Media (30 PPI)**	3.54	3.54	.13	--
09362-M/45*	Foam Media (45 PPI)**	3.54	3.54	.13	--
09362-M/60*	Foam Media (60 PPI)**	3.54	3.54	.13	--
09362-M/100*	Foam Media (100 PPI)**	3.54	3.54	.13	--
09362-G	Guard Only	3.62	3.62	.25	3.25
09362-R	Retainer Only	3.80	3.80	.39	--
<b>120 mm - 4 1/2" Figure B</b>					
09450-F/30	Guard, Retainer, Media (30 PPI)**	4.87	4.87	.42	4.13
09450-F/45	Guard, Retainer, Media (45 PPI)**	4.87	4.87	.42	4.13
09450-F/60	Guard, Retainer, Media (60 PPI)**	4.87	4.87	.42	4.13
09450-F/100	Guard, Retainer, Media (100 PPI)**	4.87	4.87	.42	4.13
09450-M/30*	Foam Media (30 PPI)**	4.55	4.55	.13	--
09450-M/45*	Foam Media (45 PPI)**	4.55	4.55	.13	--
09450-M/60*	Foam Media (60 PPI)**	4.55	4.55	.13	--
09450-M/100	Foam Media (100 PPI)**	4.55	4.55	.13	--
09450-G	Guard Only	4.65	4.65	.28	4.13
09450-R	Retainer Only	4.87	4.87	.42	--
<b>150 mm - 6" Figure C</b>					
09650-F/30	Guard, Retainer, Media (30 PPI)**	6.95	6.08	.32	6.37
09650-F/45	Guard, Retainer, Media (45 PPI)**	6.95	6.08	.32	6.37
09650-F/60	Guard, Retainer, Media (60 PPI)**	6.95	6.08	.32	6.37
09650-F/100	Guard, Retainer, Media (100 PPI)**	6.95	6.08	.32	6.37
09650-M/30*	Foam Media (30 PPI)**	5.90	5.90	.15	--
09650-M/45*	Foam Media (45 PPI)**	5.90	5.90	.15	--
09650-M/60*	Foam Media (60 PPI)**	5.90	5.90	.15	--
09650-M/100	Foam Media (100 PPI)**	5.90	5.90	.15	--
09650-G	Guard Only	5.90	5.90	.32	6.37
09650-R	Retainer Only	5.92	5.92	.19	--

\* Each Package contains 5 pieces

\*\* Pores Per Inch ( PPI )

[Fan Accessories Cross Reference](#)



[Home](#) /



[Products](#) /







[Literature Request](#) /



[What's NEW](#)

**Qualtek Electronics** . . . . *Design Solutions for Global Demands*

7675 Jenther Drive  Mentor, Ohio 44060  (888) 258-3468  (440) 951-3300  FAX: (440) 951-7252

E-Mail [mailbox@qualtekusa.com](mailto:mailbox@qualtekusa.com)  Web: [www.qualtekusa.com](http://www.qualtekusa.com)

**Copyright © 2005 Qualtek Electronics Corporation. All rights reserved.**

**Updated: June, 2005**