

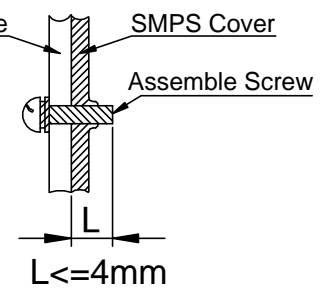
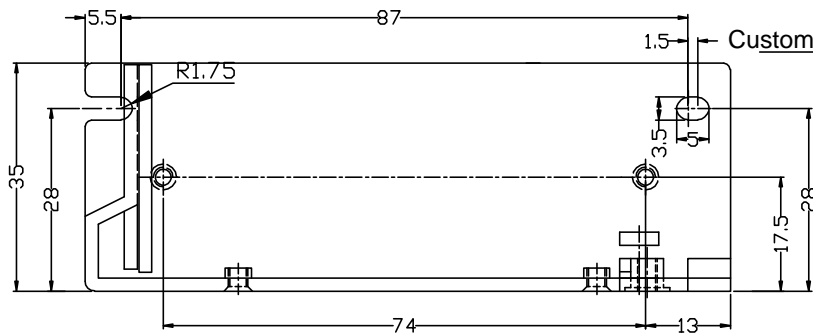
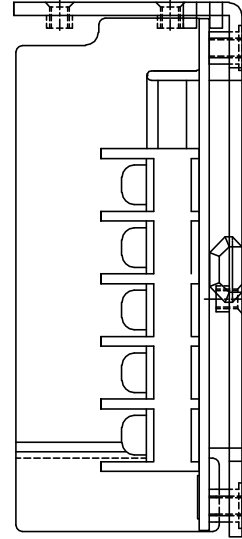
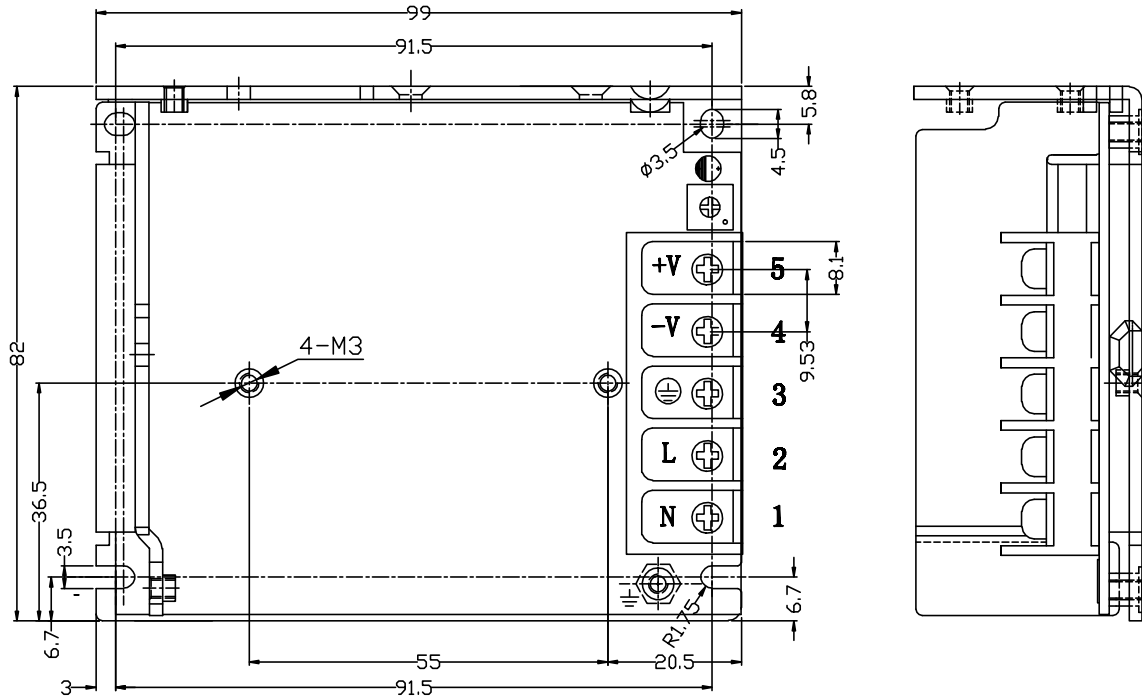
**Features:**

- Universal AC input/ Full range
- No Load Power Consumption <0.5W
- Wide Operating Ambient Temperature (-25°C~70°C)
- Operating Altitude up to 5000M
- High Efficiency, and High Reliability
- Output Protections: OLP/OVP/SCP
- All using 105°C long life electrolytic capacitors.
- 100% full load burn-in test
- Withstand 300VA Surge Input for 5 Sec
- PCB soldering side with conformal coating



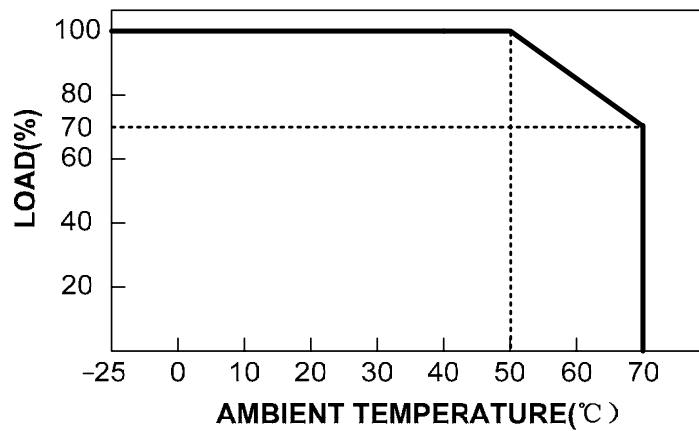
Model	QPD-50-5	QPD-50-12	QPD-50-15	QPD-50-24	QPD-50-48	
Output Characteristics						
DC Output	5V	12V	15V	24V	48V	
Rated Current	8A	4.2A	3.4A	2.2A	1.12A	
Current Range	0~8A	0~4.2A	0~3.4A	0~2.2A	0~1.12A	
Ripple and Noise (-25~70°C)	80mV	120mV	120mV	200mV	200mV	
Voltage ADJ. Range	±10% of rated output voltage					
Voltage Accuracy	±3.0%	±3.0%	±3.0%	±3.0%	±3.0%	
Line Regulation	±0.5%	±0.5%	±0.5%	±0.5%	±0.5%	
Load Regulation	±1.0%	±1.0%	±1.0%	±1.0%	±1.0%	
Set-up Time	<2.0s (115VAC input, full load); <1.5s (230VAC input, full load)					
Hold-up Time	>20ms (115VAC input, full load); >50ms (230VAC input, full load)					
Temperature Coefficient	±0.03%/°C					
Overshoot and Undershoot	<5.0%					
Input Characteristics						
Voltage Range	90VAC~264VAC, 127VDC~370VDC					
Frequency Range	47Hz-63Hz					
Efficiency (Typical)	115VAC Input	79%	84%	85%	86%	88%
	230VAC Input	80%	85%	86%	87%	89%
AC Current (max)	<1.5A					
Inrush Current (Typical)	<20A@115VAC Cold start <40A@230VAC Cold start					
Leakage Current	Input-Output: <0.25mA Input-PG: <0.75mA					
Protection						
Over Load (OLP)	105%~150% of rated output current, constant power, auto recovery					
Over Voltage (OVP)	105%~150% of rated output voltage, constant voltage					
Short Circuit (SCP)	Long-term mode, auto recovery					
Environmental Characteristics						
Operating Amb. Temp. & Hum	-25°C~70°C; 20%~90% RH Non-Condensing					
Storage Temp. & Hum	-40°C~85°C; 10%~95% RH Non-Condensing					
Safety Standards	UL60950-1; EN60950-1: 2006					
Withstand Voltage	Primary-Secondary: 3.0KVAC;≤10mA. Primary-PG: 1.5KVAC;≤10mA. Secondary-PG: 0.5KVDC;≤10mA					
Isolation Resistance	≥100M ohms					
EMI Conduction & Radiation	Compliance to EN55022(CISPR22) Class B					
Harmonic Current	Compliance to EN61000-3-2,-3					
EMS Immunity	Compliance to EN61000-4-2, 3, 4, 5, 6, 8, 11; ENV50204, light industry level, criteria A					
General Characteristics						
MTBF (MIL-HDBK-217F)	More than 200,000Hrs (25°C, Full load)					
Dimension (LxWxH)	99x82x35mm					
Packing	40PCS/CTN. G.W: 13kgs					
Cooling Method	Cooling by free air convection					

MECHANICAL SPECIFICATIONS



Pin No.	Assignment
1	AC-N
2	AC-L
3	F.G
4	DC output -V
5	DC output +V

DERATING CURVE



UNIT: mm