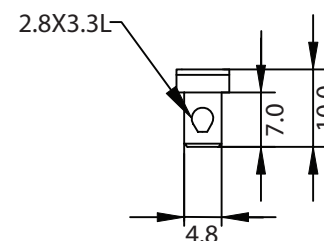
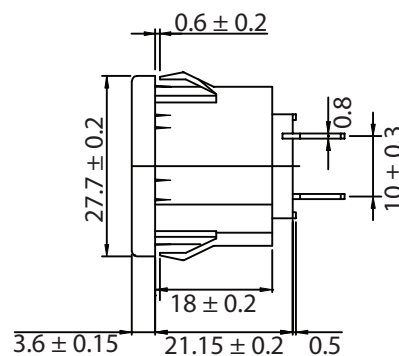
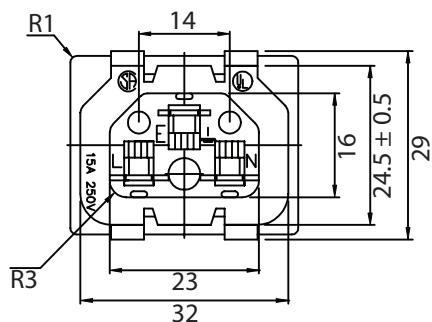
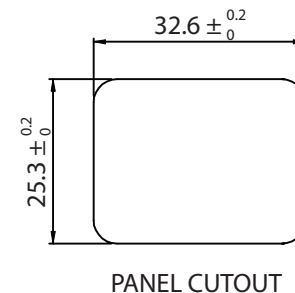
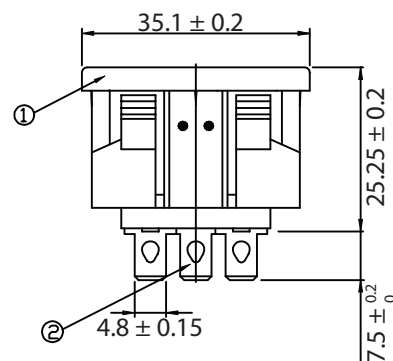
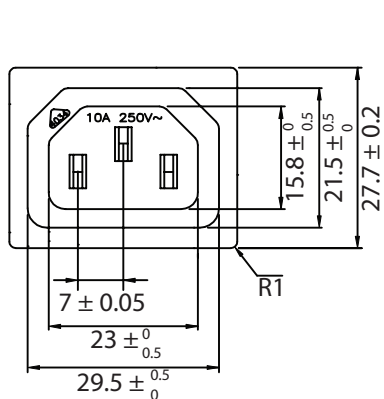


THESE DRAWINGS ARE THE PROPERTY OF QUALTEK ELECTRONICS AND NOT TO BE REPRODUCED FOR OR COMMUNICATED TO A THIRD PARTY WITHOUT THE EXPRESS WRITTEN PERMISSION OF AN OFFICER OF QUALTEK ELECTRONICS.

REVISION			
REV.	DESCRIPTION	DATE	APPROVED
B	RoHS Compliancy	06-01-06	DP



NOTES:

MATERIAL:

HOUSING: THERMOPLASTIC
TERMINAL: COPPER ALLOY

RATING:

UL, CSA: 15A 250V AC
VDE: 10A 250V AC

INSULATION RESISTANCE: OVER 100M OHM 500V DC

DIELECTRIC STRENGTH: 2000V AC ONE MINUTE

APPROVALS: UL, CSA, VDE

PANEL THICKNESS: 0.8~1.5mm

RoHS COMPLIANT

CONTROLLED

2	Contact PIN Bronze Strip t=0.8mm Tin-Plated	3				
1	Body Insulator PC or NY Black Color	1				
Dim range (mm)		Tolerance +/- (mm)		Qualtek Electronics Corp. PPC DIVISION Part Number: 716W-X2/02 RoHS Compliant		
0-1		0.15				
1-6		0.20		Description: AC RECEPTACLE		
6-18		0.30				
18-50		0.50		UNIT: mm		
50-120		0.70				REV. B
120-250		0.90		Drawn / Date	Checked / Date	Approved / Date
250-500		1.20		B.ZHANG 07-14-05	07-14-05	JJH / 07-14-05