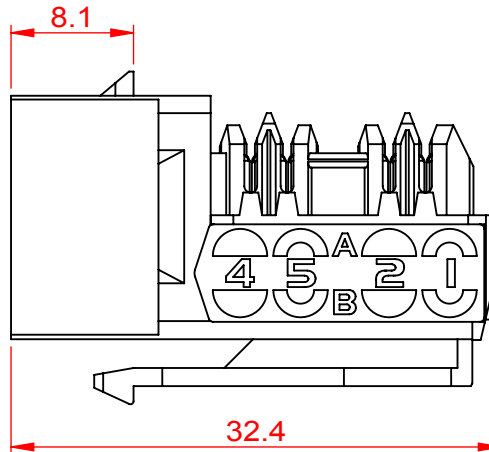
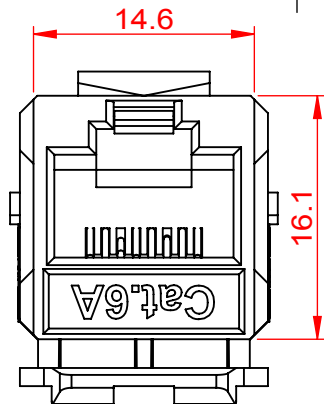
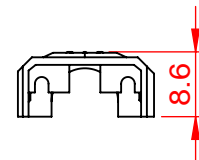
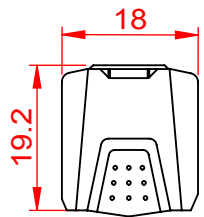
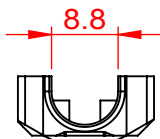
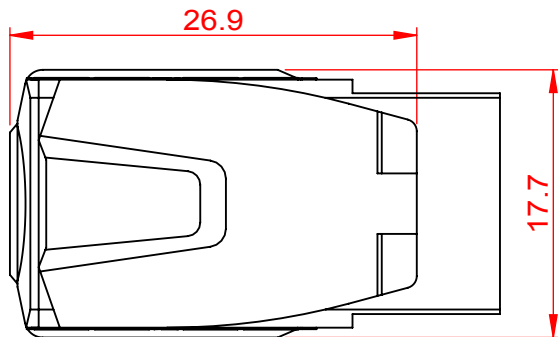
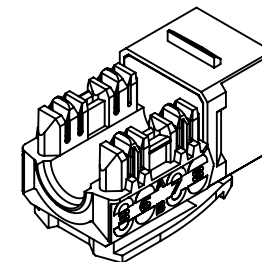
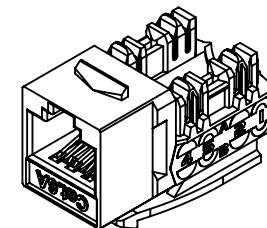


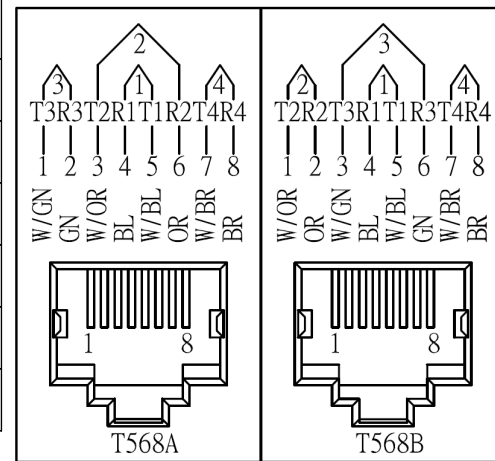
19.2



REFERENCE



NKJ-6201	Black
NKJ-6202	Blue
NKJ-6203	Red
NKJ-6204	Orange
NKJ-6205	Yellow
NKJ-6206	Green
NKJ-6207	Ivory
NKJ-6208	White



MATERIAL

KEYSTONE JACK HOUSING : ABS,UL94V-0.
 JACK CONTACTS : PHOSPHOR BRONZE,50U" GOLD PLATED.
 IDC PLASTIC : PC,UL94V-0.
 IDC TERMINALS : PHOSPHOR BRONZE ,TIN OVER NICKEL UNDERCOAT.
 IDC CAP : ABS,UL94V-0.

PHYSICAL CHARACTERISTICS

SUITABLE IMPACT TOOL : 110/KRONE STYLE PUNCH DOWN TOOL.
 INSERTION LIFE : 750 MATING CYCLES WITH FCC COMPLIANT 8P PLUG.
 CONTACT FORCE : 100 GRAMS WITH FCC COMPLIANT 8P PLUG.
 PLUG RETENTION FORCE : 11 LBF MIN.
 DURABILITY : 200 TERMINATION CYCLES.
 CONTACT COMPATIBILITY : ACCOMMODATES 22 TO 24 AWG SOLID.
 OPERATING TEMPERATURE RANGE : -10°C TO 60°C.
 STORAGE TEMPERATURE RANGE : -40°C TO 68°C.
 HUMIDITY : 10%-90%RH.

ELECTRICAL

INSULATION RESISTANCE : 500 MΩ.
 DIELECTRIC WITHSTANDING VOLTAGE : 1000 V AC.
 DC CURRENT RATING : 1.5 Amps.
 DC RESISTANCE : 0.1Ω.
 CONTACT RESISTANCE : 20mΩ.

NOTE

• ONLY ACCEPT RJ-45 8P8C PLUG.



ACCORDING TO : ANSI/TIA-568-C.2
 ISO/IEC 11801 2nd Edition
 IEC 60603-7

ENCLOSURE
 IDC CAP X 1 PC

Scale	2:1			Quest Technology Int'l, Inc 11200 NW 138th St., Medley, FL 33178		
3rd Angle Projection				Part No.	NKJ-620X	
Unit	mm	Title: CAT6A SLIM-STYLE KEYSTONE JACKS, 8P8C, UL				
Date	2013/3/7	Drawing No.				
Tolerance			Drawn by	Checked by	Drawing No.	
~20	~50	~150	±0.2	±0.4	±0.5	
150~	ANGLE	±1.5	±2°	BORUEI		