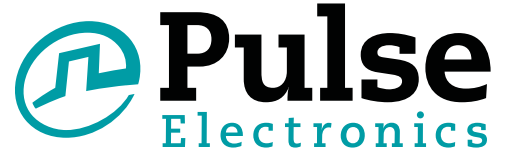


Star Magnetics™

10/100BASE-T Transformer Modules

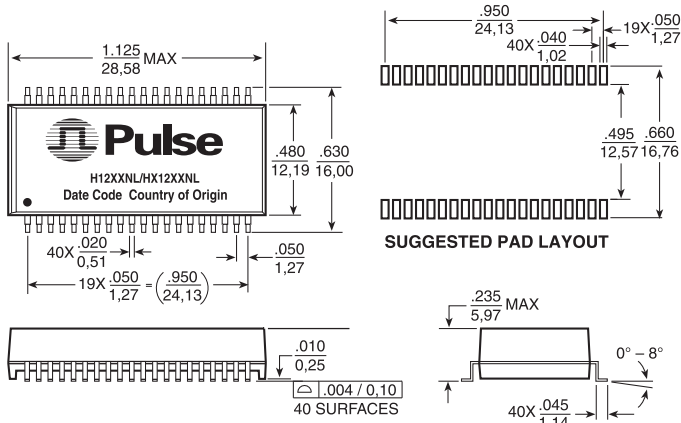
with PoE* Option and 1:1 Turns Ratios

*Power over Ethernet



Mechanicals (continued)

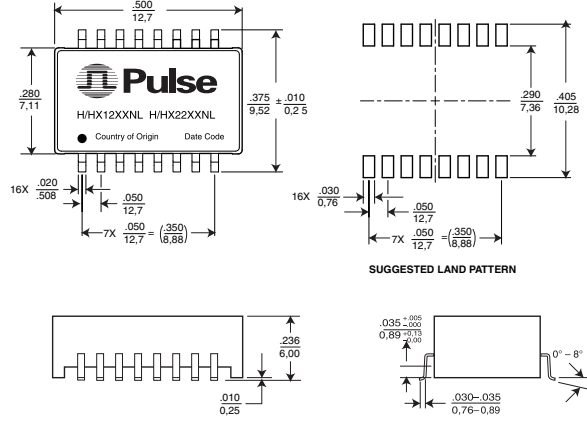
H1259NL, HX1259NL, H1266NL



Weight 4.8 grams
Tape & Reel 250/reel
Tube 15/tube

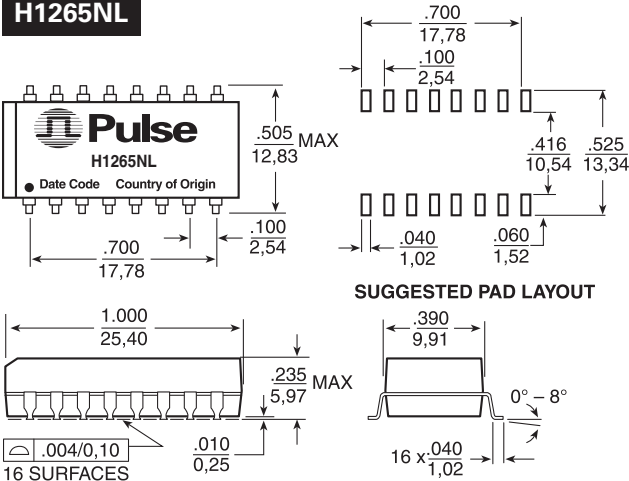
Dimensions: $\frac{\text{Inches}}{\text{mm}}$ Unless otherwise specified, all tolerances are $\pm \frac{.010}{0,25}$

H1260NL, HX1260NL, H2260NL, HX2260NL



Weight 2.8 grams
Tube 45/tube
Tape & Reel 600/reel

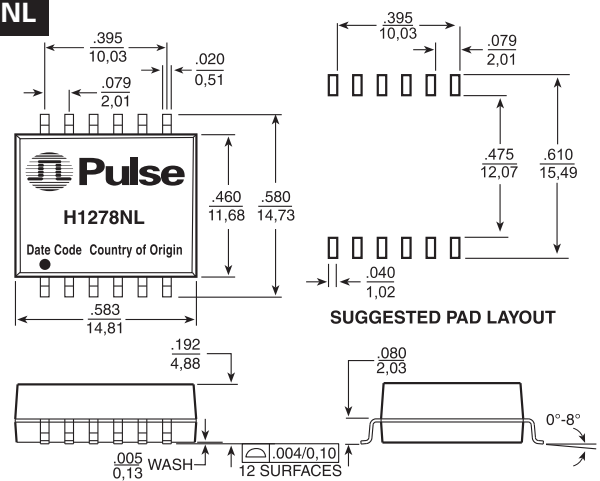
H1265NL



Weight 3.0 grams
Tube 20/tube
Tape & Reel 300/reel

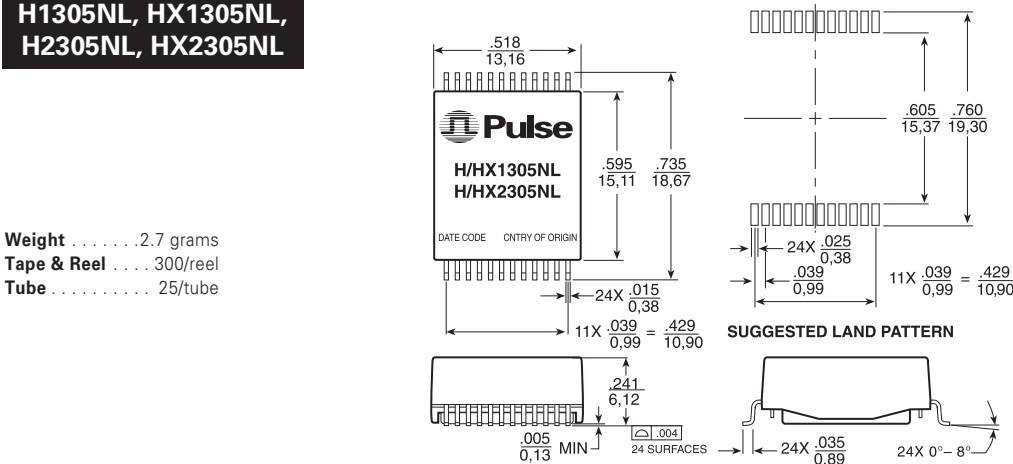
Dimensions: $\frac{\text{Inches}}{\text{mm}}$ Unless otherwise specified, all tolerances are $\pm \frac{.010}{0,25}$

H1278NL



Weight 1.7 grams
Tape & Reel 350/reel
Tube 30/tube

H1305NL, HX1305NL, H2305NL, HX2305NL



Weight 2.7 grams
Tape & Reel 300/reel
Tube 25/tube

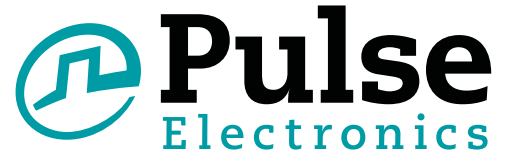
Dimensions: $\frac{\text{Inches}}{\text{mm}}$ Unless otherwise specified, all tolerances are $\pm \frac{.010}{0,25}$

Star Magnetics™

10/100BASE-T Transformer Modules

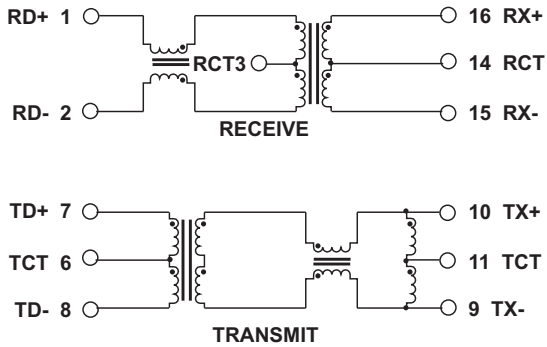
with PoE* Option and 1:1 Turns Ratios

*Power over Ethernet

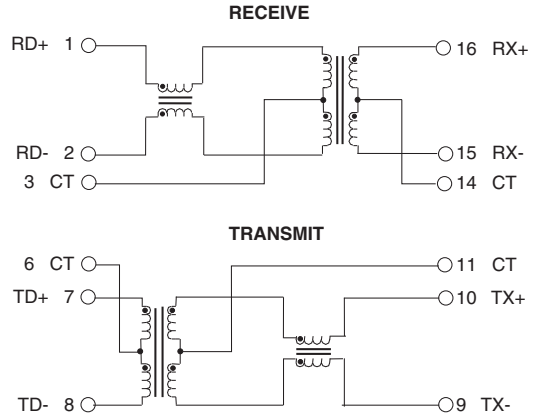


Schematics

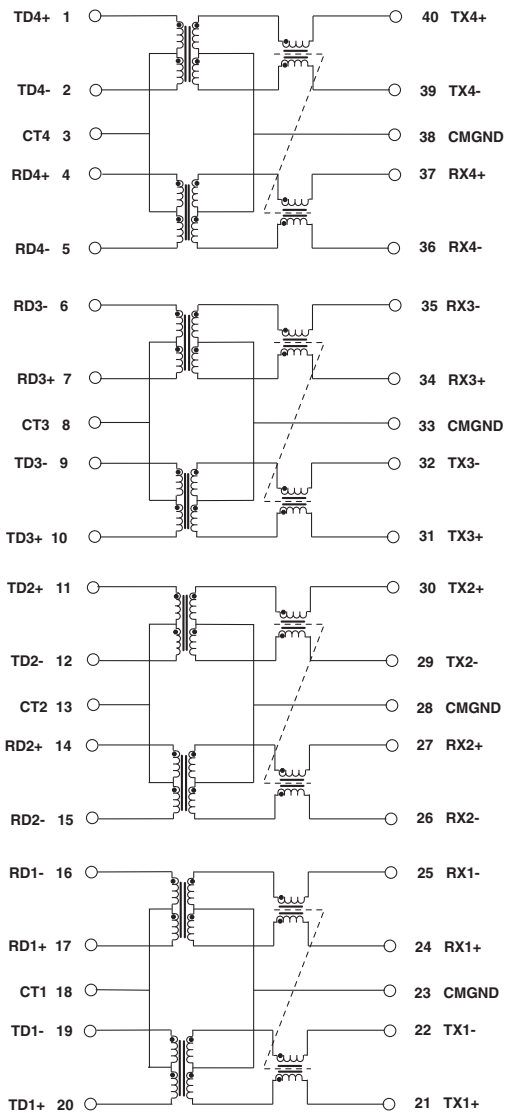
H0055NL



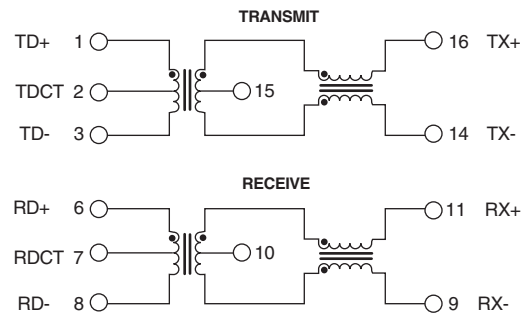
H0056NL



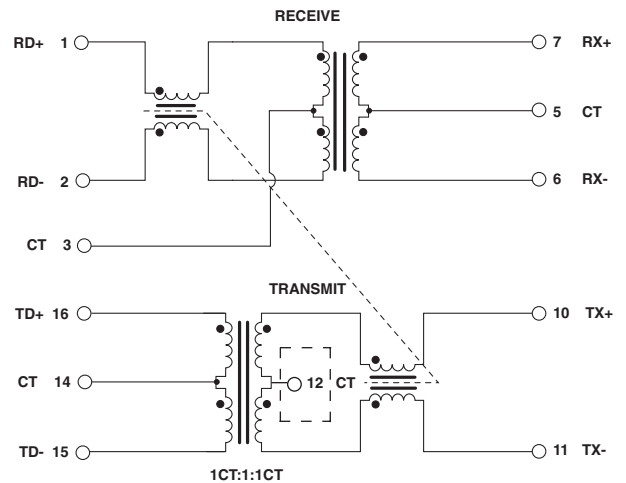
H1259NL, HX1259NL



H1260NL, HX1260NL



H1265NL



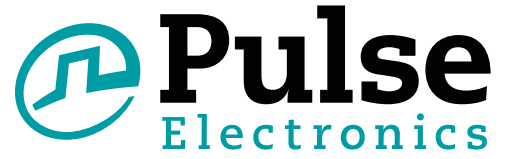
H1265: 3-core design (T3 same toroid core)

Star Magnetics™

10/100BASE-T Transformer Modules

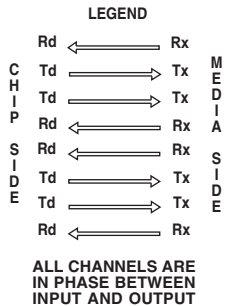
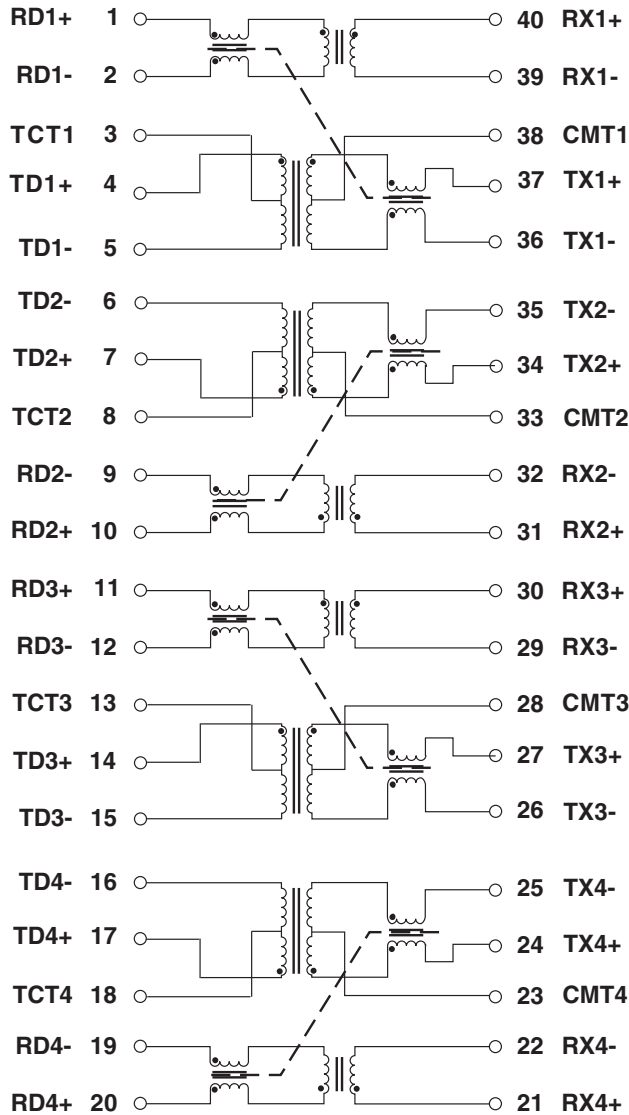
with PoE* Option and 1:1 Turns Ratios

*Power over Ethernet

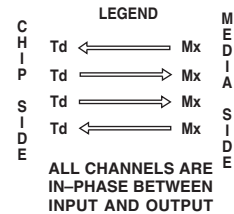
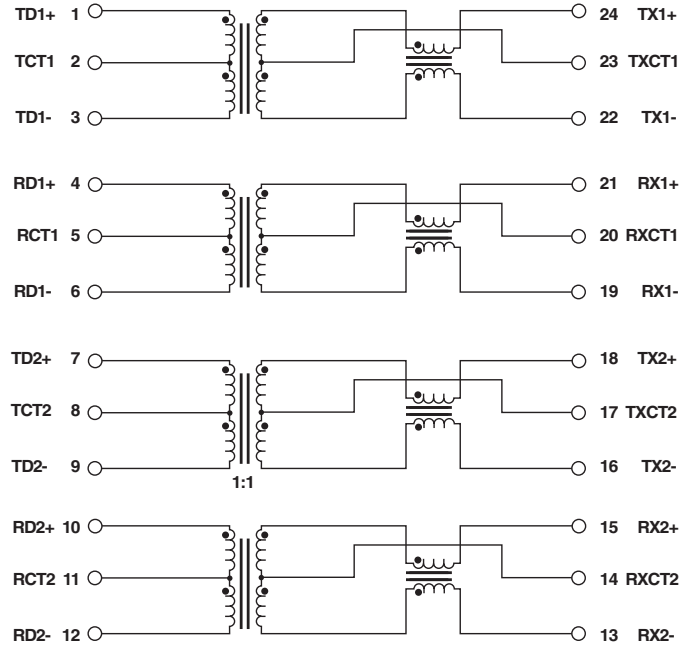


Schematics (continued)

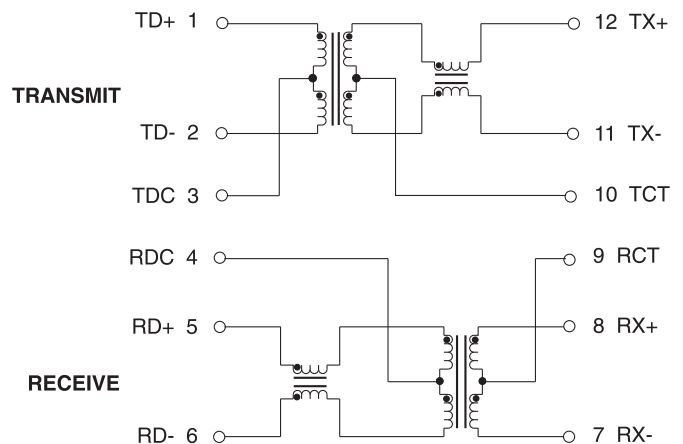
H1266NL



H1305NL, HX1305NL



H1278NL

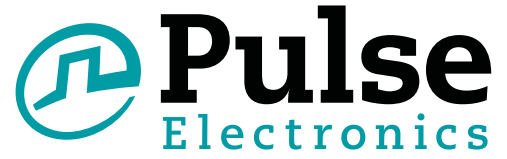


Star Magnetics™

10/100BASE-T Transformer Modules

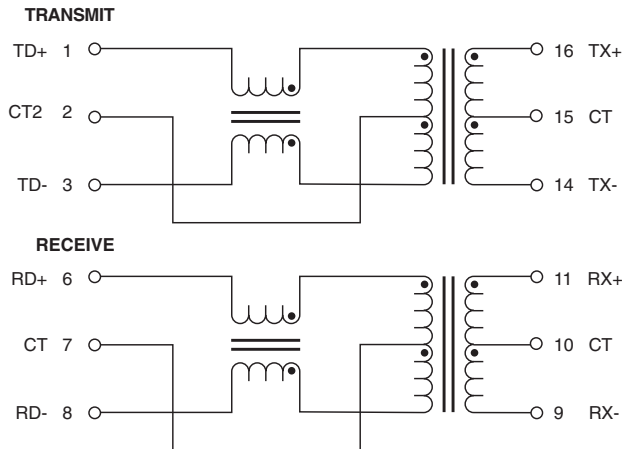
with PoE* Option and 1:1 Turns Ratios

*Power over Ethernet

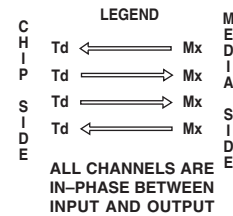
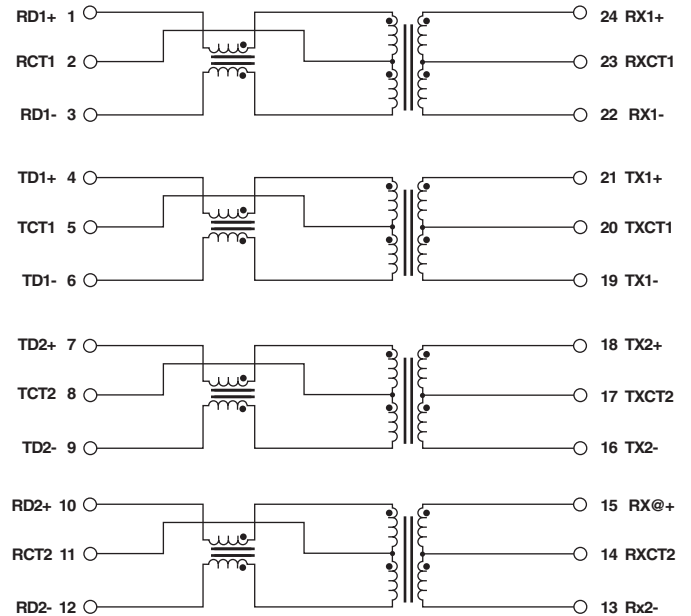


Schematics (continued)

H2260NL, HX2260NL



H2305NL, HX2305NL



For More Information:

Pulse North American Headquarters

12220 World Trade Dr.
San Diego, CA 92128
U.S.A.

TEL: 858 674 8100
FAX: 858 674 8262

Pulse European Headquarters

Einsteinstrasse 1
D-71083 Herrenberg
Germany

TEL: 49 7032 7806 0
FAX: 49 7032 7806 12

Pulse China Headquarters

B402, Shenzhen Academy of
Aerospace Technology Bldg.
10th Kejian Rd.
High-Tech Zone
Nanshan District
Shenzhen, PR China 518057

TEL: 86 755 33966678
FAX: 86 755 33966700

Pulse North China

Room 1503
XinYin Building
No. 888 YiShan Rd.
Shanghai 200233
China

TEL: 86 21 32181071
FAX: 86 21 32181396

Pulse South Asia

150 Kampong Ampat
#07-01/02
KA Centre
Singapore 368324

TEL: 65 6287 8998
FAX: 65 6280 0080

Pulse North Asia

No. 26
Kao Ching Rd.
Yang Mei Chen
Taoyuan Hsien
Taiwan, R. O. C.
32667

TEL: 886 3 4643715
FAX: 886 3 4641911

Performance warranty of products offered on this data sheet is limited to the parameters specified. Data is subject to change without notice. Other brand and product names mentioned herein may be trademarks or registered trademarks of their respective owners. Pulse and the Squarewave logo are trademarks of Pulse Electronics Corporation, registered in the U.S. and other countries.

© Copyright, 2010. Pulse Electronics Corporation. All rights reserved.