



Data Sheet

API-4260-LW150-2-R

PUI Audio's all-new **API-4260-LW150-2-R** audio programmable indicator makes adding audio files easier than ever before! Connect the API-4260-LW150-2-R to any computer (Window, Linux, or Mac) and simply drag-and-drop mono audio files the same as you would a USB flash drive.

A larger 4MB storage size allows for longer files (WAV or MP3) or for sequential playback of multiple files, while the all-new internal DAC allows for 48 kHz sampling rates for true frequency response out to 20 kHz.

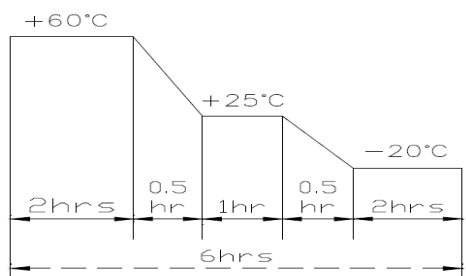
Features:

- Easy drag-and-drop file transfer on nearly any computer
- 150mm lead wires and mounting flanges for easy integration
- Wide 100 Hz to 20 kHz frequency response

Specifications

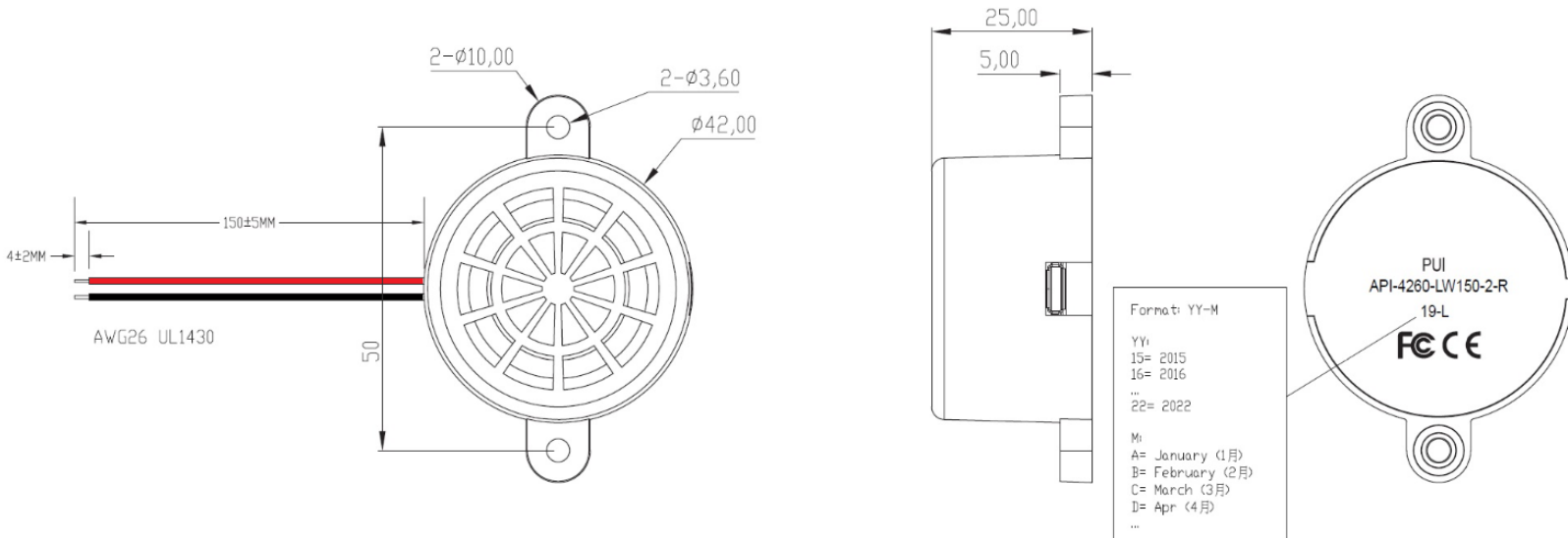
Parameters	Values	Units
Rated Voltage	12	VDC
Operating Voltage Range	7 ~ 24	VDC
Current Draw at Rated Voltage	350	mA
Minimum SPL @ 10cm (1 kHz tone recorded at 0 dB reference level)	100	dBa
Frequency Range (-10 dB)	100 ~ 20,000	Hz
Tone or Pulse Rate	Repeating	-
Housing Material	ABS	-
Terminal Material	Lead Wires	-
Weight	27	Grams
Acceptable Soldering Methods	Hand Solder	-
Compliances	RoHS/REACH, FCC Part 15 Class B, CE EN61000-6-1, CE EN61000-6-3	-
Storage Temperature	-30 ~ +70	°C
Operating Temperature	-20 ~ +60	°C

Reliability Testing

Type of Test	Test Specifications
High Temperature Test	96 hours at 60°C followed by 6 hours in normal room temperature
Low Temperature Test	96 hours at -20°C followed by 6 hours in normal room temperature
Humidity Test	96 hours at +40°C with relative humidity at 92% followed by 3 hours in normal room temperature
Temperature Cycle Testing	Part is testing according to the below chart for 5 cycles: 
Vibration Test	1.5Hz to 5Hz to 1.5Hz cycles, 15 minutes per cycle. 2 hours in each axis X, Y, and Z.
Drop Test	Drop product onto 40mm thick wooden board 10 times from a height of 75cm.

After each test, the part's SPL shall be no less than 97 dB with 1 kHz sinewave file and 12 VDC applied.

Dimensions (Red-wire is positive +, black-wire is negative -)



Using the API-4260-LW150-2-R

Requirements:

1. Any laptop or desktop computer with USB ports.
2. USB-A Male to Mini USB-B Male cable.
3. API-4260-LW150-2-R



Loading files onto the API-4260-LW150-2-R

The API-4260-LW150-2-R features 4MB of on-board flash memory and can play back any mono .wav or .mp3 audio file that is 4MB or smaller. If your file is larger than 4MB, please use a program, such as [Audacity®](#), to compress the file or shorten the total amount of time the file takes to play, to decrease the file size.

If your audio file contains stereo, two-channel, information, please use Audacity to mix down the file to a mono (single-channel) file.

Note: Many audio files are saved at different levels. It is best to use a program such as Audacity to ensure that there is not a clipped signal (levels at 0 dB or above) to prevent the speaker within the API-4260-LW150-2-R from being damaged. You may also use software to increase gain levels for more output. It is recommended to keep the maximum level below -3 dB if possible (with 0 dB referenced as maximum signal level).

Multiple files may be loaded onto the API-4260-LW150-2-R. Files will play back according to the file name in alpha-numeric order. Add a number to the beginning of the file name to create the order in which you would like the files to play. Please note: Files play consecutively without any pause between the files.

1. With a USB-A Male to Mini USB-B Male cable in-hand, and no power applied to the API-4260-LW150-2-R, plug the USB-A Male connector into your computer and the Mini USB-B Male connector into the API-4260-LW150-2-R.
2. The API-4260-LW150-2-R should be recognized by your computer as a USB flash drive and the default drivers for a USB drive will be assigned to the device, as well as a unique disk drive letter assignment (such as D:).
3. Drag-and-drop your audio files into the API-4260-LW150-2-R, and you're done!
4. Disconnect the USB cable from the API-4260-LW150-2-R and computer and apply a DC voltage between 7 and 24 VDC to the red and black leads (while observing polarity). The API-4260-LW150-2-R will play back your audio files according to the order you have assigned to them.

Specifications Revisions

Revision	Description	Date
-	Released from Engineering	1/21/2020

Note:

- 1. Unless otherwise specified:
 - A. All dimensions are in millimeters.
 - B. Default tolerances are $\pm 0.5\text{mm}$ and angles are $\pm 3^\circ$.
- 2. Specifications subject to change or withdrawal without notice.