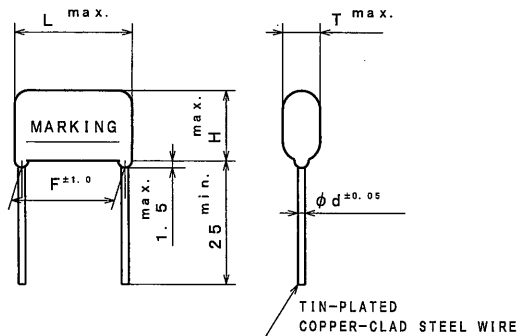


THIRD ANGLE PROJECTION

| ITEM CODE | CAP. μF (*) | DIMENSIONS | | | | | VOLUME (mm ³) | MARKING STYLE | Note |
|-------------|------------------|------------|------|------|------|-----|------------------------------|------------------|------|
| | | L | T | H | F | d | | | |
| ECWF2W564JA | 0.56 (564) | 18.1 | 7.0 | 11.5 | 15.0 | 0.8 | 1204 | 1 | |
| " 2W684JA | 0.68 (684) | " | 7.5 | 12.1 | " | " | 1359 | " | |
| " 2W824JA | 0.82 (824) | " | 8.2 | 12.7 | " | " | 1536 | " | |
| " 2W105JA | 1.0 (105) | " | 9.3 | 12.6 | " | " | 1696 | " | |
| " 2W125JA | 1.2 (125) | 18.8 | 9.7 | 14.7 | " | " | 2180 | 2 | * |
| " 2W155JA | 1.5 (155) | " | 10.7 | 15.8 | " | " | 2566 | " | * |
| " 2W185JA | 1.8 (185) | " | 11.6 | 16.7 | " | " | 2945 | " | * |
| " 2W225JA | 2.2 (225) | " | 12.8 | 17.9 | " | " | 3444 | " | * |
| " 2W275JA | 2.7 (275) | 26.3 | 10.6 | 16.5 | 22.5 | " | 3815 | " | * |
| " 2W335JA | 3.3 (335) | " | 11.7 | 17.5 | " | " | 4426 | " | * |
| " 2W395JA | 3.9 (395) | " | 12.6 | 18.4 | " | " | 5027 | " | * |
| " 2W475JA | 4.7 (475) | " | 13.8 | 19.6 | " | " | 5815 | " | * |

Note

*The specimen (the volume is more than 1750mm³) shall be satisfied with IEC60384-1 Inflammability Category B based on IEC60065, 1998~



*F: regulation of the root

CONSTRUCTION

The capacitor is of non-inductive construction, wound with metallized polypropylene film dielectric.

The capacitor is enclosed in non-combustible epoxy resin and has two leads.

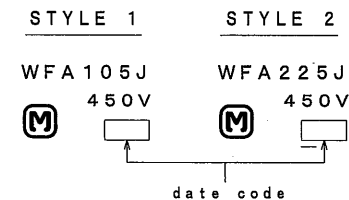
MARKING

Marking comprises capacitance, capacitance tolerance, rated voltage, manufacturer's trademark and date code.

PROPERTIES

- *Capacitance : See table at 1kHz.
- *Capacitance tolerance : ±5% (J) at 1kHz.
- *Rated voltage : 450VDC
(Derating of rated voltage by 1.25%/°C at more than 85°C)
- *Withstand voltage (terminal-terminal) : 450VDC×150% for 60s
- *Insulation resistance : ≥10000MΩ·μF at 100VDC, 20°C for 60s
- *Dissipation factor : ≤0.1% at 1kHz, 20°C
- *Category temperature range : From -40°C to +105°C
(including temperature rise on unit surface)

MARKING EXAMPLE



| ALTERATION | | |
|--------------------|----------------------|-------------|
| ISSUE | DESCRIPTION | DATE |
| △ | Company name changed | Apr. 1 2012 |
| △ | Company name changed | Apr. 1 2013 |
| △ | Company name changed | Apr. 1 2015 |
| SPECIFICATIONS No. | | |

Reference

| | |
|---------------|---|
| DESIGN | <i>An. Mitsuoka</i> |
| CHECKED | <i>M. Kanagimoto</i> |
| APPROVAL | <i>Y. Takata</i> |
| ESTABLISHMENT | May. 8. 2008 |
| TYPE NAME | ECWF2W***JA |
| NAME | Metallized Polypropylene Film Capacitor |
| DRAWING NAME | PRODUCT DRAWING |
| DRAWING No. | 8001J-J-E (1/1) |

Toyama·Matsue Plant
Device Solutions Business Division
Panasonic Corporation

DO NOT SCALE DRAWING

REVISIONS INDICATED BY Δ

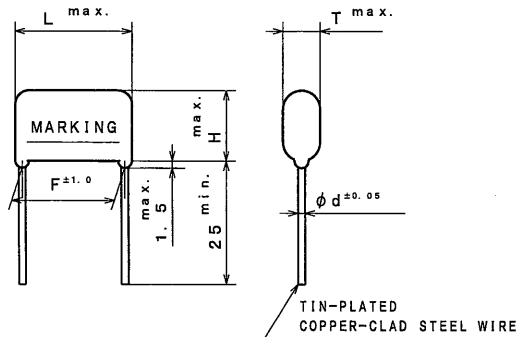
ALL DIMENSIONS ARE IN MILLIMETERS

THIRD ANGLE PROJECTION

| ITEM CODE | CAP. μF (*) | DIMENSIONS | | | | | | VOLUME (mm ³) | MARKING STYLE | Note |
|-------------|------------------|------------|------|------|------|-----|------|------------------------------|------------------|------|
| | | L | T | H | F | d | | | | |
| ECWF2W564KA | 0.56 (564) | 18.1 | 7.0 | 11.5 | 15.0 | 0.8 | 1204 | 1 | | |
| " 2W684KA | 0.68 (684) | " | 7.5 | 12.1 | " | " | 1359 | " | | |
| " 2W824KA | 0.82 (824) | " | 8.2 | 12.7 | " | " | 1536 | " | | |
| " 2W105KA | 1.0 (105) | " | 9.3 | 12.6 | " | " | 1696 | " | | |
| " 2W125KA | 1.2 (125) | 18.8 | 9.7 | 14.7 | " | " | 2180 | 2 | * | |
| " 2W155KA | 1.5 (155) | " | 10.7 | 15.8 | " | " | 2566 | " | * | |
| " 2W185KA | 1.8 (185) | " | 11.6 | 16.7 | " | " | 2945 | " | * | |
| " 2W225KA | 2.2 (225) | " | 12.8 | 17.9 | " | " | 3444 | " | * | |
| " 2W275KA | 2.7 (275) | 26.3 | 10.6 | 16.5 | 22.5 | " | 3815 | " | * | |
| " 2W335KA | 3.3 (335) | " | 11.7 | 17.5 | " | " | 4426 | " | * | |
| " 2W395KA | 3.9 (395) | " | 12.6 | 18.4 | " | " | 5027 | " | * | |
| " 2W475KA | 4.7 (475) | " | 13.8 | 19.6 | " | " | 5815 | " | * | |

Note

*The specimen (the volume is more than 1750mm³) shall be satisfied with IEC60384-1 Inflammability Category B based on IEC60065, 1998~



-F: regulation of the root

CONSTRUCTION

The capacitor is of non-inductive construction, wound with metallized polypropylene film dielectric.

The capacitor is enclosed in non-combustible epoxy resin and has two leads.

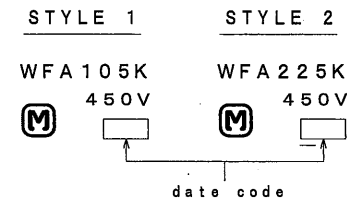
MARKING

Marking comprises capacitance, capacitance tolerance, rated voltage, manufacturer's trademark and date code.

PROPERTIES

- *Capacitance : See table at 1kHz.
- *Capacitance tolerance : ±10% (K) at 1kHz.
- *Rated voltage : 450VDC
(Derating of rated voltage by 1.25%/°C at more than 85°C)
- *Withstand voltage (terminal-terminal) : 450VDC×150% for 60s
- *Insulation resistance : ≥10000MΩ·μF at 100VDC, 20°C for 60s
- *Dissipation factor : ≤0.1% at 1kHz, 20°C
- *Category temperature range : From -40°C to +105°C
(including temperature rise on unit surface)

MARKING EXAMPLE



| ALTERATION | | |
|--------------------|----------------------|-------------|
| ISSUE | DESCRIPTION | DATE |
| △ | Company name changed | Apr. 1 2012 |
| △ | Company name changed | Apr. 1 2013 |
| △ | Company name changed | Apr. 1 2015 |
| SPECIFICATIONS No. | | |

Reference

| | |
|---------------|---|
| DESIGN | <i>M. Yamamoto</i> |
| CHECKED | <i>M. Yamamoto</i> |
| APPROVAL | <i>Y. Taketa</i> |
| ESTABLISHMENT | May. 8. 2008 |
| TYPE NAME | ECWF2W***KA |
| NAME | Metallized Polypropylene Film Capacitor |
| DRAWING NAME | PRODUCT DRAWING |
| DRAWING No. | 8002J-J-E (1/1) |

Toyama·Matsue Plant
Device Solutions Business Division
Panasonic Corporation

DO NOT SCALE DRAWING

REVISIONS INDICATED BY Δ

ALL DIMENSIONS ARE IN MILLIMETERS