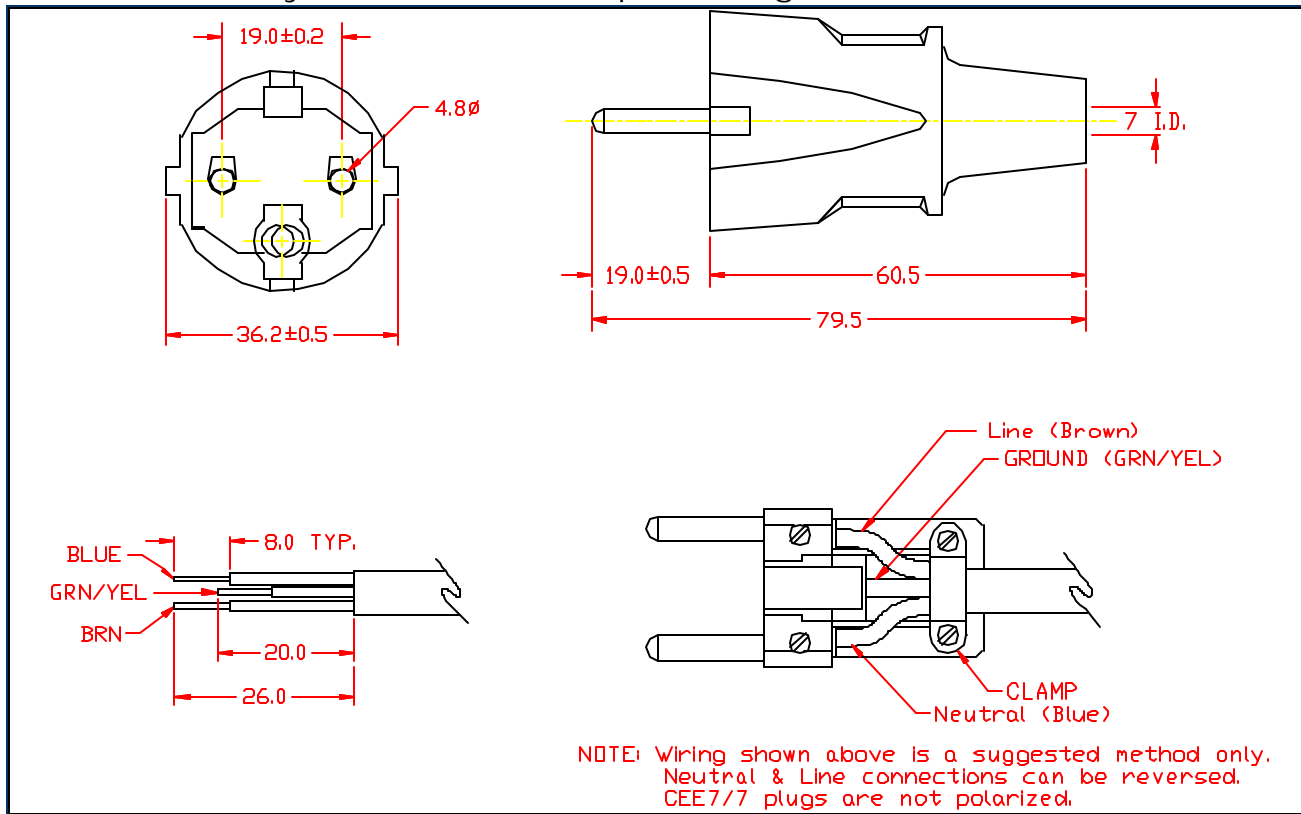




MAILING ADDRESS:
 P.O. Box 115
 SHIPPING ADDRESS:
 100 Interpower Avenue
 Oskaloosa, IA 52577 (USA)
 E-MAIL: info@interpower.com

US, CAN, PR, VI:
 Call Toll-free: (800) 662-2290
 Fax Toll-free: (800) 645-5360
 INTERNATIONAL:
 Phone: (641) 673-5000
 Fax: (641) 673-5100

16A/250V Gray Continental European Plug



Specifications (Note: dimensions in mm)	Cable Selection 3 wire
Part Number: 88010801	Cable Size: 2.5mm ² max
Current Rating: 16	Fuse Type:
Voltage Rating: 250	Weight:
Temperature Rating: +20°C to +60°C	General Material: Thermoplastic/PVC
Flammability Rating:	Polarized:
Ingress Protection Rating:	Catalog Description:
Phase: Single Phase	CE Marked
Class: Class I	
Number of Contacts: 3	
Contact Material: Nickel-plated brass	
Plug/Socket Type: Continental Europe	
Plug/Socket Standard: CEE 7/7	
Plug/Socket Color: Gray	
Approvals: CE BEC FIMKO VDE NEMKO SEMKO	
Remarks:	
Last Modification: 08/28/02 • 16:07:13 • awells	*Specifications subject to change
without notice	