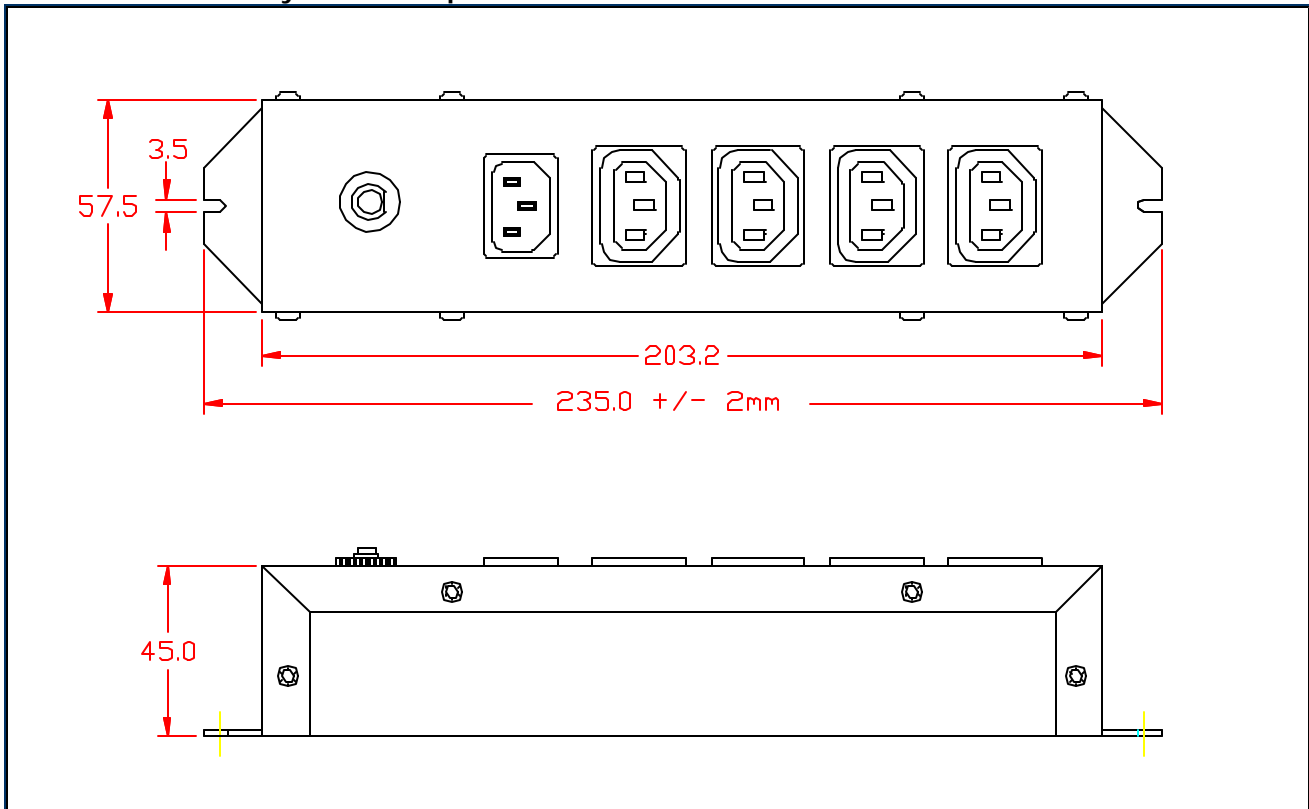




MAILING ADDRESS:
 P.O. Box 115
 SHIPPING ADDRESS:
 100 Interpower Avenue
 Oskaloosa, IA 52577 (USA)
 E-MAIL: info@interpower.com

US, CAN, PR, VI:
 Call Toll-free: (800) 662-2290
 Fax Toll-free: (800) 645-5360
 INTERNATIONAL:
 Phone: (641) 673-5000
 Fax: (641) 673-5100

4 Position Accessory Power Strip



Specifications (Note: dimensions in mm)	Color: Beige
Part Number: 85010070	CE Marked:
Current Rating: 10	Options:
Voltage Rating: 240	
Socket Type: C14 & Sheet F	
Number of Sockets: 4	
Socket Material: Polyamide	
Mounting Style: Table Mount	
Length: 235	
Cord Length:	
Cord Material:	
Cable Plug Type:	
Case Material: Metal	
Approvals: UL CSA VDE	
Remarks:	
Last Modification: 07/17/02 • 08:18:20 • jcaligiu	*Specifications subject to change without notice