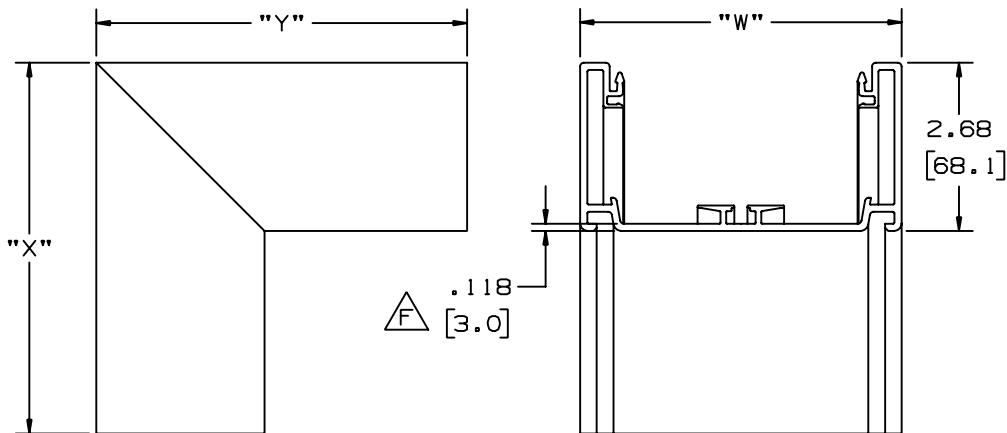


THIS COPY IS PROVIDED ON A RESTRICTED BASIS AND IS NOT TO BE USED IN ANY WAY DETRIMENTAL TO THE INTERESTS OF PANDUIT CORP.

$\triangle C$	PANDUIT PART NO. *	"W" $\triangle F$	"X" $\triangle E$	"Y" $\triangle E$	WEIGHT
$\triangle A$	TOCB105	4.1 (105)	5.91 (150 ± 3.0)	5.91 (150 ± 3.0)	.67 LB/EACH (305 G/EACH)
	TOCB130	5.1 (130)	5.91 (150 ± 3.0)	5.91 (150 ± 3.0)	.75 LB/EACH (340 G/EACH)
	TOCB170	6.7 (170)	5.91 (150 ± 3.0)	5.91 (150 ± 3.0)	.85 LB/EACH (387 G/EACH)



- NOTE:
- SEE CURRENT CATALOG FOR ADDITIONAL PART NUMBER SUFFIXES TO INDICATE COLOR AND/OR PACKAGE QUANTITY.
 - ALL DIMENSIONS IN PARENTHESIS ARE IN METRIC.

CAD FILENAME/LAYERS DPC_34315_TDOC_03

PANDUIT CORP. TINLEY PARK, ILLINOIS

OUTSIDE CORNER FITTING FOR TYPE T TRUNKING
 $\triangle B$ (TOCB105, TOCB130, TOCB170)
 CUSTOMER DRAWING

REV	DATE	BY	CHK	DESCRIPTION	ECN	CHK	CUST	SUP
-	-----	----	---	G. ADDED TOLERANCES	-----	---	---	
3	04-11-01	REWE	BKR	F. REVISED DIMENSION E. REVISED TOLERANCE: WAS ± 1.0	34315-03	HIW	HIW	
2	03-19-97	JBA	CEF	D. ADDED MATERIAL (PVC). C. ADDED ENGLISH DIMENSIONS TO DWG.	34315-03	CEF	CEF	
1	07-25-95	TA	CEF	A. REVSD. P/N'S B. REVSD. TITLE	34315-03	WJB		
R	07-16-92	DW	CEF	RELEASED TO PRODUCTION	34315-03	WJB		

UNLESS OTHERWISE SPECIFIED, DIMENSIONAL TOLERANCES ARE: $\triangle G$		UNLESS OTHERWISE SPECIFIED, ALL DIMENSIONS ARE GIVEN IN INCHES, THIRD ANGLE PROJECTION.	
(.X) $\pm .13$ (3.3)	(.XXX) $\pm .020$ (.5)		
(.XX) $\pm .04$ (1.0)	ANGLES \pm		
DRAWN BY DW	MAT'L: $\triangle D$ PVC	SCALE NONE	
DATE 07-25-95		DRAWING NO. 34315-03	DWG SIZE A
CHECKED BY JF			