

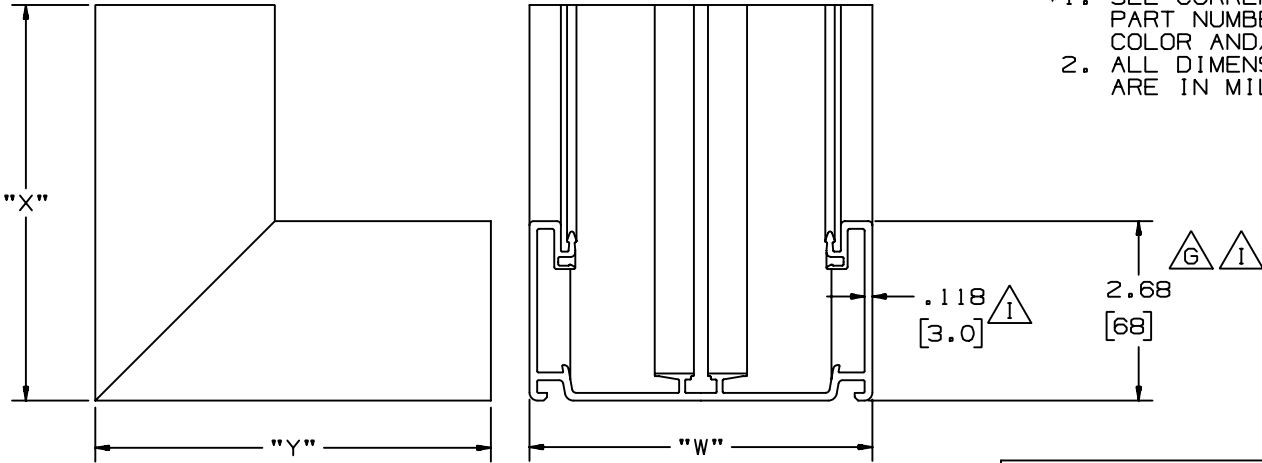
THIS COPY IS PROVIDED ON A RESTRICTED BASIS AND IS NOT TO BE USED IN ANY WAY DETRIMENTAL TO THE INTERESTS OF PANDUIT CORP.

PANDUIT PART NO.**	"W" $\triangle I$	"X" $\triangle H$	"Y" $\triangle H$	WEIGHT
TIC105	4.1 [105]	5.91 ±.118 [150 ±3.0]	5.91 ±.118 [150 ±3.0]	.79 lbs 357 grams EACH
TIC130	5.1 [130]	5.91 ±.118 [150 ±3.0]	5.91 ±.118 [150 ±3.0]	.89 lbs 402 grams EACH
TIC170	6.7 [170]	5.91 ±.118 [150 ±3.0]	5.91 ±.118 [150 ±3.0]	1.06 lbs 479 grams EACH

$\triangle F$

$\triangle E$  NOTES:

- \*1. SEE CURRENT CATALOG FOR ADDITIONAL PART NUMBER SUFFIXES TO INDICATE COLOR AND/OR PACKAGE QUANTITY.
- \*2. ALL DIMENSIONS IN PARENTHESIS ARE IN MILLIMETERS.



$\triangle D$

CAD FILENAME/LAYERS DPC\_34315\_TDIC\_04.PRT

								PANDUIT CORP. TINLEY PARK, ILLINOIS			
4	04-11-01	REWE	BKR	I. REVISED DIMENSION H. ADDED AND REVISED TOLERANCES	34315-04	HIW	HIW	INSIDE CORNER FITTING FOR TYPE T TRUNKING (TIC105, TIC130, TIC170)			
--	-----	--	--	G. ADDED DIM. "X", "Y", "W", .114 REF (2.9) AND 2.68 REF (68) OMITTED FROM REV. 2	34315-04	--	--	CUSTOMER DRAWING			
--	-----	--	--	F. REVISED CHART "W" DIMENSIONS TO PROPER FORMAT	34315-04	--	--	UNLESS OTHERWISE SPECIFIED, DIMENSIONAL TOLERANCES ARE: (.X) ±.13 [3.3] (.XXX) ±.020 [.5] (.XX) ±.04 [1.0] ANGLES ±			
3	08-04-97	RABO	HIW	E. REVISED NOTES D. REVISED INCORRECT FILE NAME FROM REV. 2	34315-04	HIW	HIW	UNLESS OTHERWISE SPECIFIED, ALL DIMENSIONS ARE GIVEN IN INCHES, THIRD ANGLE PROJECTION.			
2	07-16-97	TA	CEF	C. ADDED ENGLISH DIMENSION	34315-04	CEF	CEF	SCALE NONE			
1	07-26-95	TA	CEF	A. REVSD. P/N'S, B. REVSD. TITLE	34315-04	CEF		DRAWN BY DW MAT'L:			
R	07-16-92	DW	CEF	RELEASED TO PRODUCTION	34315-04	WJB		DATE 07-25-95			
REV	DATE	BY	CHK	DESCRIPTION	ECN - R	CUST	SUP	CHK'D JF			
								DRAWING NO. 34315-04		DWG SIZE A	