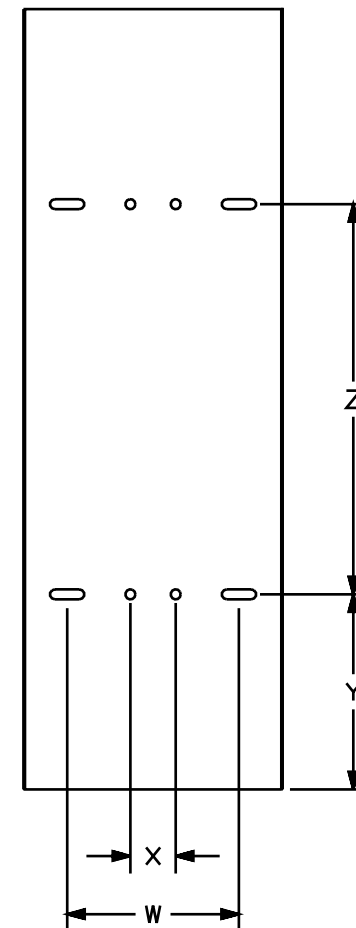


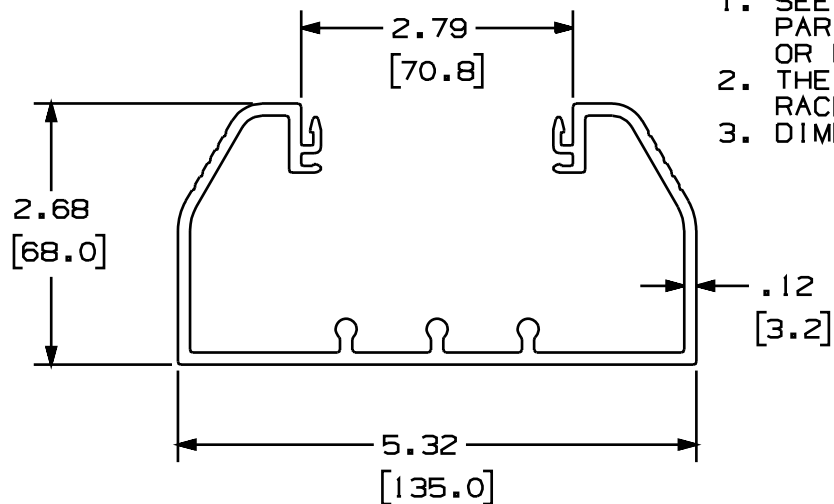
THIS COPY IS PROVIDED ON A RESTRICTED BASIS AND IS NOT TO BE USED IN ANY WAY DETRIMENTAL TO THE INTERESTS OF PANDUIT CORP.

PANDUIT PART NUMBER	LENGTH	WEIGHT	MOUNTING HOLE DIMENSIONS			
			"W"	"X"	"Y"	"Z"
TG70B**2 (SEE NOTE 4)	78.74 IN ±.13 IN (2000mm ±3.0mm)	7.4 LB/78.74 IN (3356g/2000mm)	3.52 (89)	0.93 (24)	3.37 (86)	8.00 (203)
TG70B**3 (SEE NOTE 4)	118.11 IN ±.13 IN (3000mm ±3.0mm)	11.1 LB/118.11 IN (5035g/3000mm)	3.52 (89)	0.93 (24)	3.06 (78)	8.00 (203)
TG70B**8	96.00 IN ±.13 IN (2438mm ±3.0mm)	9.0 LB/96.00 IN (4082g/2438mm)	3.52 (89)	0.93 (24)	4.00 (102)	8.00 (203)
TG70B**10	120.00 IN ±.13 IN (3048mm ±3.0mm)	11.3 LB/120.00 IN (5125g/3048mm)	3.52 (89)	0.93 (24)	4.00 (102)	8.00 (203)



**NOTES:**

1. SEE CURRENT CATALOG FOR ADDITIONAL PART SUFFIXES TO INDICATE COLORS AND OR PACKAGE QUANTITY.
2. THE TG70B IS USED WITH THE T70C RACEWAY COVER.
3. DIMENSIONS IN PARENTHESIS ARE IN METRIC.



CAD FILENAME/LAYERS D37270BF\_DC\_TG70B\_00A.prt

**PANDUIT** CORP. TINLEY PARK, ILLINOIS  
**TG-70 RACEWAY BASE**  
 (TG70C)  
 CUSTOMER DRAWING

UNLESS OTHERWISE SPECIFIED,  
 DIMENSIONAL TOLERANCES ARE:  
 (.X) ± (.XXX) ± .010(.3)  
 (.XX) ± .031(.8) ANGLES ±

UNLESS OTHERWISE SPECIFIED,  
 ALL DIMENSIONS ARE GIVEN  
 IN INCHES, THIRD ANGLE PROJECTION.

DRAWN BY MSO

MAT'L:

SCALE NONE

DATE 4-12-00

PVC

DRAWING NO. 37270-64

DWG SIZE A

REV	DATE	BY	CHK	DESCRIPTION	ECN	CHK	CUST	SUP
R	4-12-00	MSO	CAZ	RELEASED TO PRODUCTION	37270-64	HIW	HIW	