



PAN-WAY ROUND JUNCTION BOX

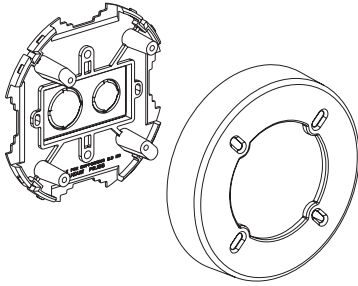
FOR USE WITH PANDUIT
LD3, LD5, LD10,
LDPH3, LDPH5, AND LDPH10
SURFACE RACEWAY
ROUTING SYSTEMS

Panduit Part Number: RJBX3510**

INSTALLATION INSTRUCTIONS

©Panduit Corp. 2005

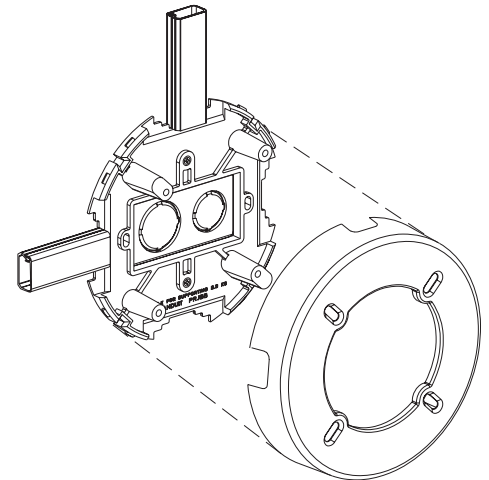
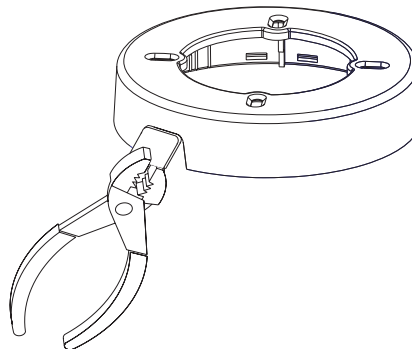
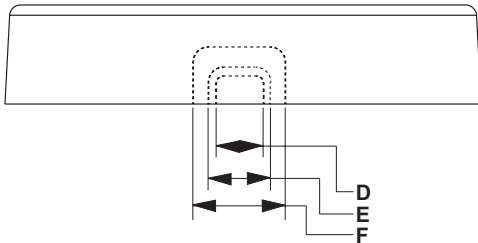
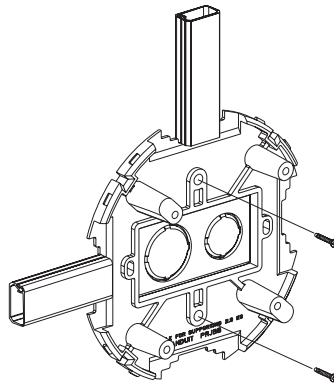
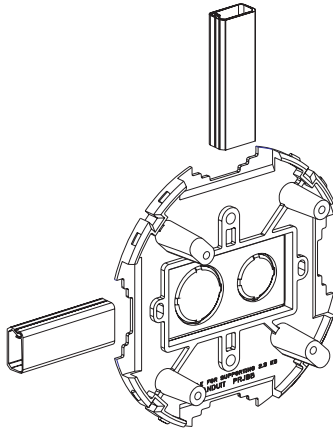
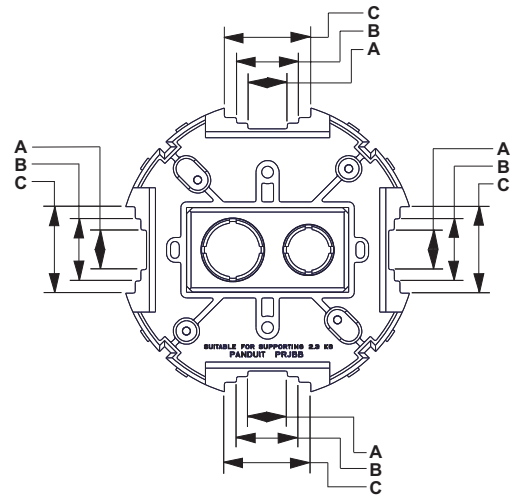
Printed in U.S.A.



RJBX3510

Base	Raceway
A	LD3, LDPH3
B	LD5, LDPH5
C	LD10, LDPH10

Cover	Raceway
D	LD3, LDPH3
E	LD5, LDPH5
F	LD10, LDPH10



**NOTE: THE RECOMMENDED
SCREW TO SECURE COVER
TO BASE IS #8 - 32.**

Instruction Sheet RW91

WORLDWIDE SUBSIDIARIES AND SALES OFFICES

17301 Ridgeland Avenue
Tinley Park, IL 60477-3091
Web Site: www.panduit.com



RACEWAY SYSTEMS DIVISION

Technical Support: 866-405-6656
Fax: 866-449-1702
Email: netconnsupport@panduit.com