



FOR USE WITH PANDUIT TYPE PD SURFACE RACEWAY ROUTING SYSTEM

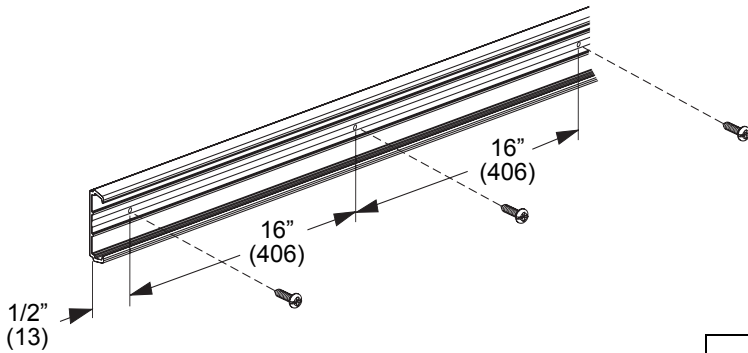
PAN-WAY TYPE PD NON-METALLIC SURFACE RACEWAY SYSTEM

PANDUIT PART NUMBERS: PD3, PD6, PTF, PICF, POCF, PRAF, PECF, PCF, PEEF36, PRJBX36

INSTALLATION INSTRUCTIONS

©Panduit Corp. 2009

Printed In U.S.A.



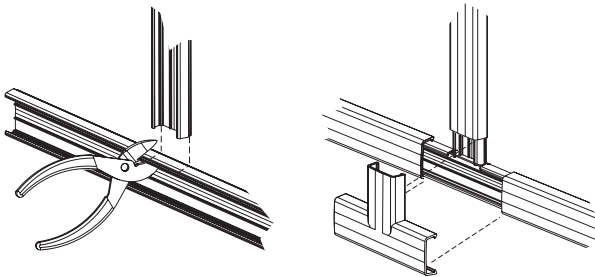
The mounting hardware used to secure the raceway shall be appropriate for the mounting surface.

RECOMMENDED WIRE CAPACITIES

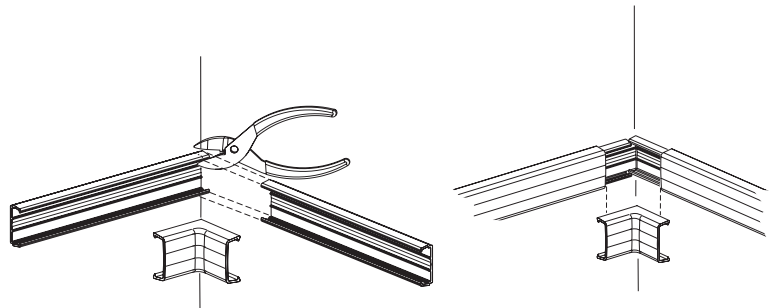
PART NUMBER	* FILL CAPACITIES WITHOUT DEVICES					
	14 AWG		12 AWG		10 AWG	
	THHN/T90	THW/TW	THHN/T90	THW/TW	THHN/T90	THW/TW
PD3	5	4	4	3	-	-
PD6	10	6	7	4	5	4

***WIRES NOT BUNDLED**

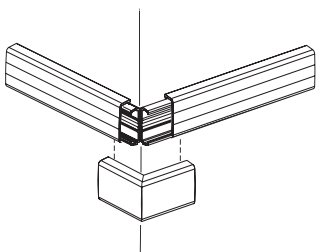
TEE FITTING



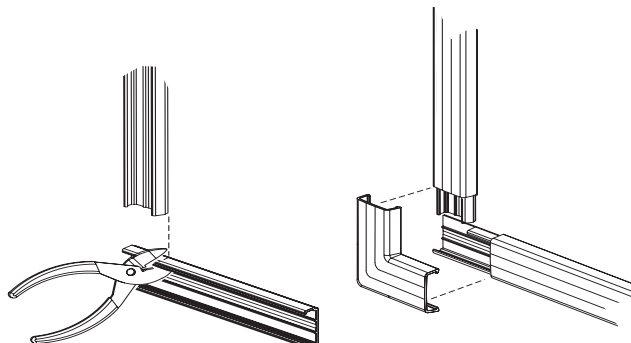
INSIDE CORNER FITTING



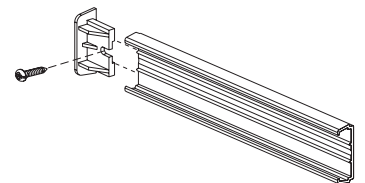
OUTSIDE CORNER FITTING



RIGHT ANGLE FITTING



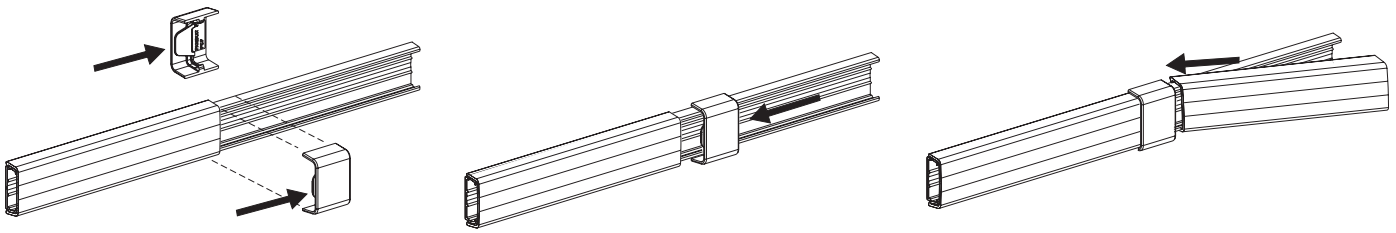
END CAP



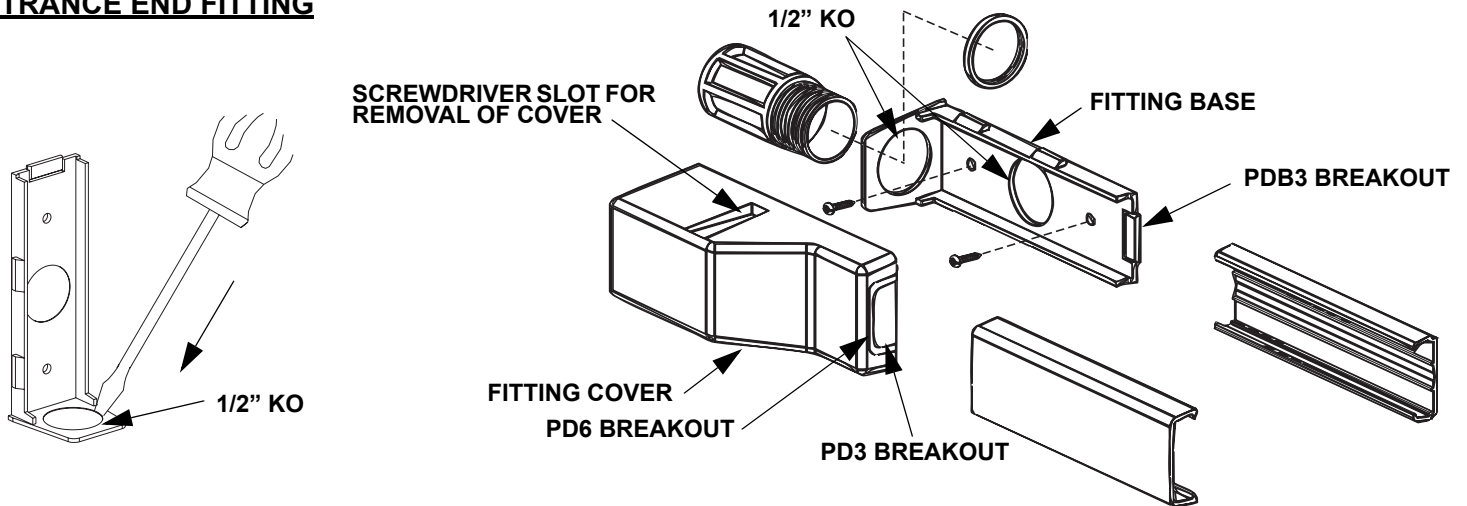
For Technical Assistance call: 800-777-3300

TYPE PD NON-METALLIC SURFACE RACEWAY INSTALLATION INSTRUCTIONS

COUPLER FITTING

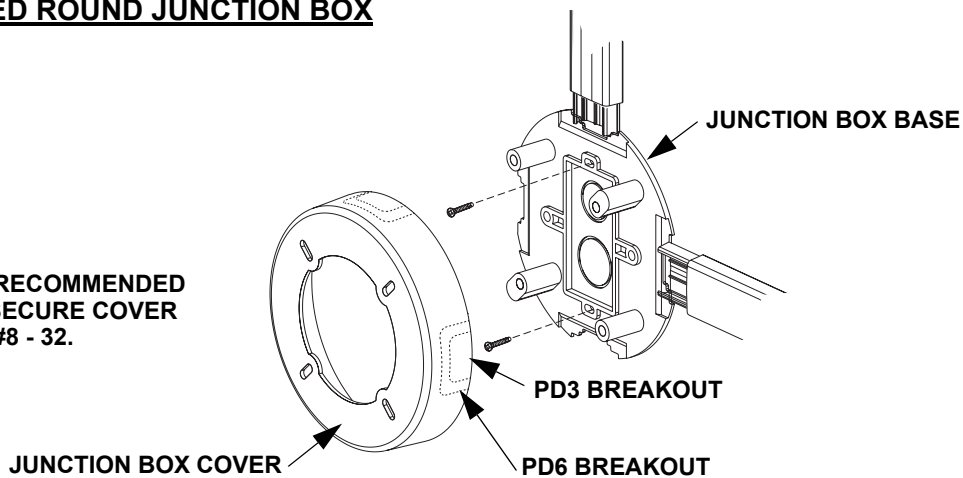


ENTRANCE END FITTING



NOTE:
BUTT PDB6 RACEWAY TO FITTING BASE. IF PDB3 IS USED,
BREAK OFF RACEWAY TAB ON FITTING BASE.

POWER RATED ROUND JUNCTION BOX



Instruction Sheet RW25A

WORLDWIDE SUBSIDIARIES AND SALES OFFICES

17301 Ridgeland Avenue
Tinley Park, IL 60477-3901
Web Site: www.panduit.com



RACEWAY SYSTEMS DIVISION

Fax: 708-532-1811
Technical Support: 800-777-3300