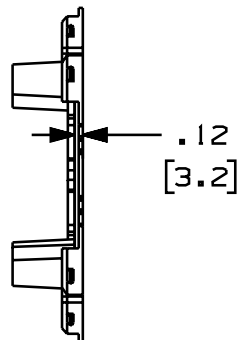
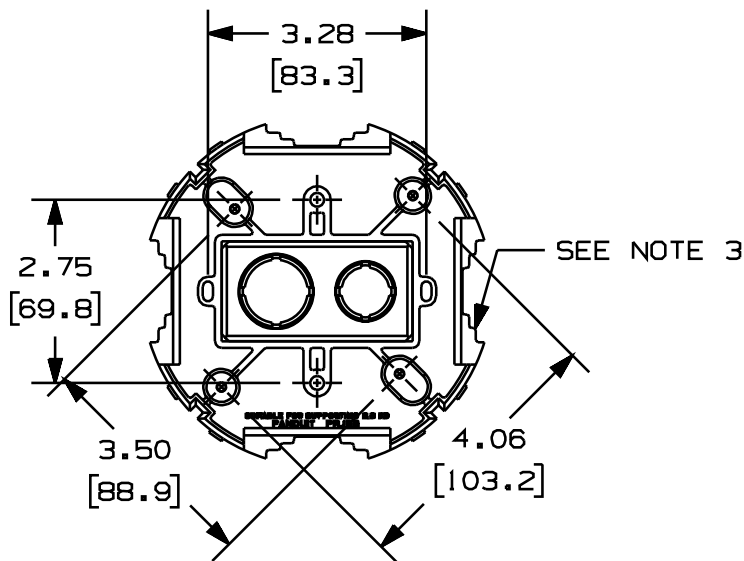
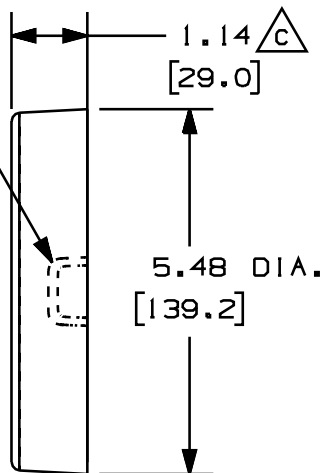
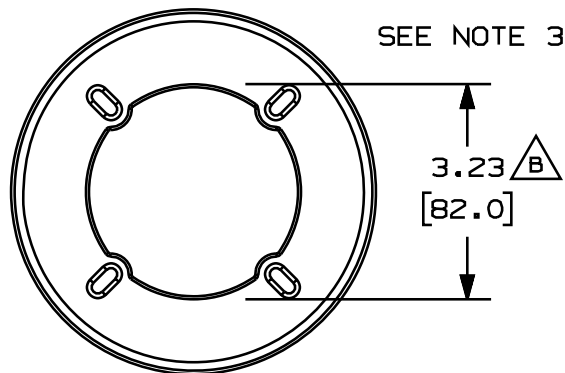


THIS COPY IS PROVIDED ON A RESTRICTED BASIS AND IS NOT TO BE USED IN ANY WAY DETRIMENTAL TO THE INTERESTS OF PANDUIT CORP.



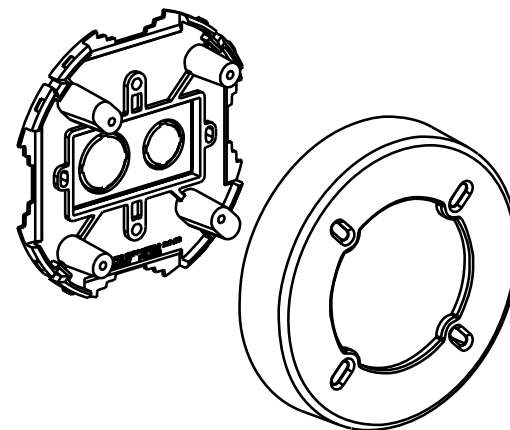
NOMINAL
BASE
THICKNESS



| PANDUIT P/N | WEIGHT |
|-------------|---------------------------|
| PRJBX36 | 0.26 LB/PC. (118g/PC.) |

NOTES:

1. SEE CURRENT CATALOG FOR ADDITIONAL PART NUMBER SUFFIXES TO INDICATE COLOR AND OR PACKAGE QUANTITY.
2. SEE CATALOG FOR COMPLETE LIST OF RACEWAYS APPLICABLE FOR USE WITH THIS BOX.
3. CUTOUT PATTERN ALLOWS PRODUCT TO BE USED WITH VARIOUS POWER OR LOW VOLTAGE RACEWAY SIZES.



CAD FILENAME/LAYERS D37144BE_DC_PRJBX36_00B.prt

PANDUIT CORP. TINLEY PARK, ILLINOIS
POWER ROUND JUNCTION BOX
(PRJBX36)
CUSTOMER DRAWING

UNLESS OTHERWISE SPECIFIED,
DIMENSIONAL TOLERANCES ARE:
(.X) : (.XXX) :
(.XX) : ANGLES :

UNLESS OTHERWISE SPECIFIED,
ALL DIMENSIONS ARE GIVEN
IN INCHES, THIRD ANGLE PROJECTION.

| REV | DATE | BY | CHK | DESCRIPTION | ECN | R | CUST | SUP |
|-----|---------|------|------|---|----------|-----|------|-----|
| - | | -- | -- | C. REVISED DIM.: 1.14 WAS 1.12. | | -- | -- | |
| I | 6-13-00 | JHNL | HIW | B. REVISED DIM.: 3.23 WAS 3.14. A. REVISED MAT'L: ADDED PVC. | 37144-05 | HIW | HIW | |
| R | 4-24-00 | MSO | RMHI | RELEASED TO PRODUCTION | 37144-05 | HIW | HIW | |

DRAWN BY MSO
DATE 4-24-00
CHK'D RMHI

MAT'L:

△ PVC

SCALE NONE

DRAWING NO.

37144-05

DWG
SIZE
A