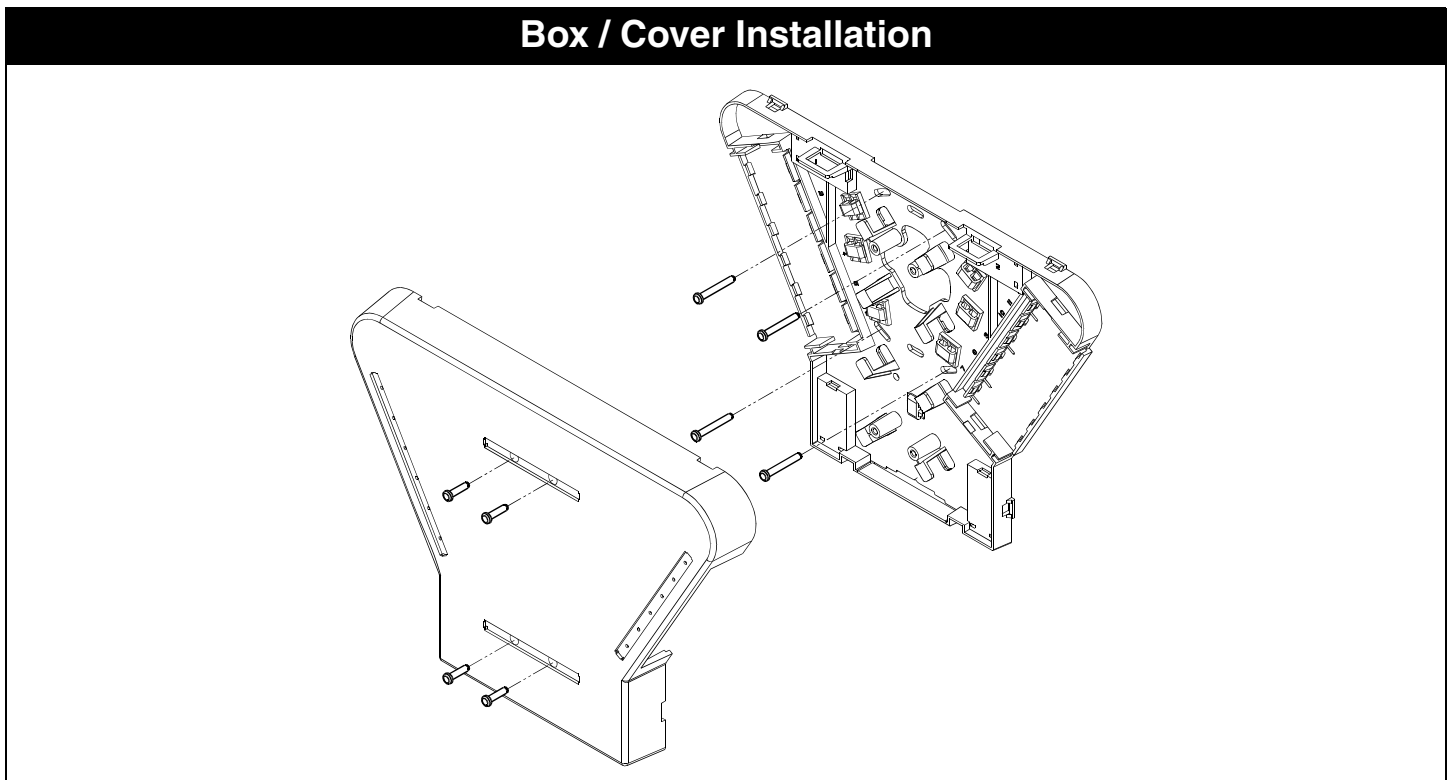
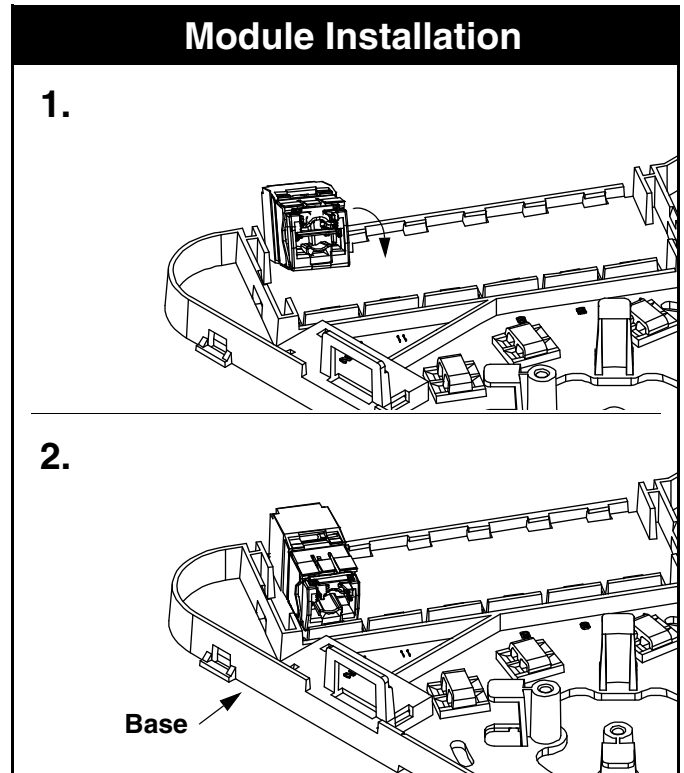
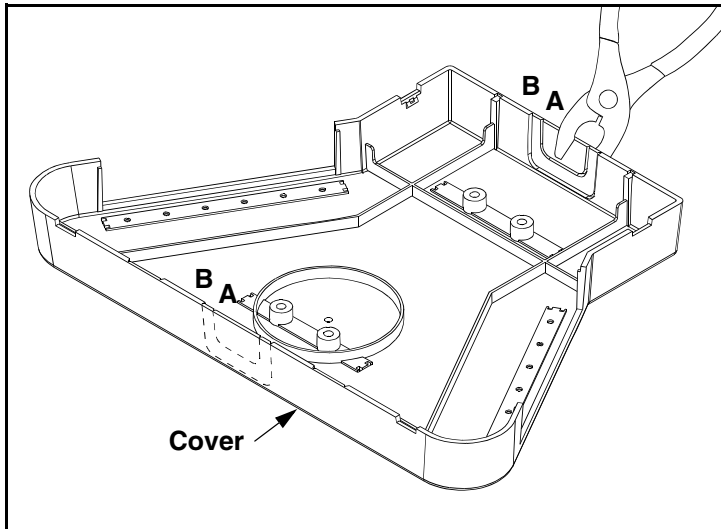


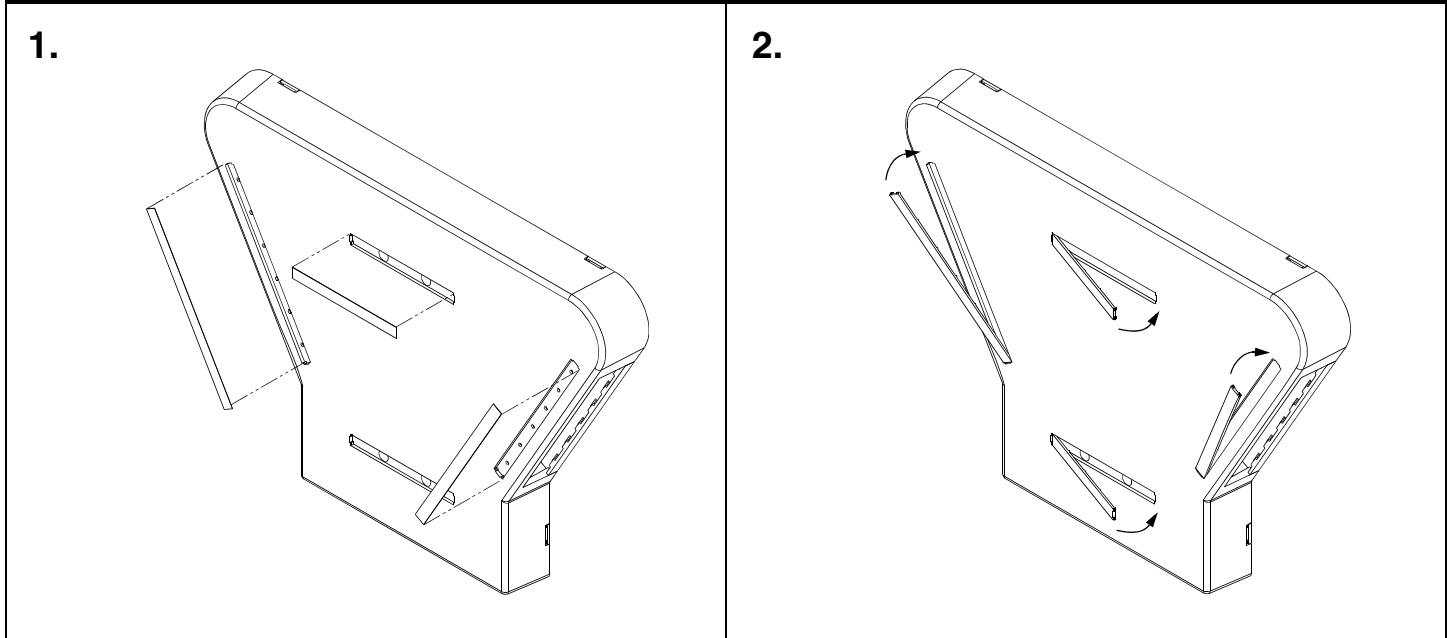


PART NO.	RACEWAY	BREAK OUT
UICBXA12**-A	LDP5 / LD5	A
	LDP10 / LD10	B



** Denotes color.

Label* / Label Cover Installation



Ultimate ID Label Part Numbers

Label Part #	Height	Length	Color	Std. Pkg. Qty.
Computer Printable Labels				
UILJ4	.236"	2.585"	White	5 sheets
UILJ6	.236"	3.855"	White	5 sheets
Non-Adhesive Label Cassette (for use with PanTher LS8E and Cougar LS9 Thermal Transfer Printers)				
**UILS8BW	.236"	25'	Black / White	1

** See Panduit LS8E and LS9 Operations Manual to explain serialized function for label printing and page function for non-serialized label printing.

* Write on labels are not included with this Surface Mount Box per TIA/EIA-606-A standard which states: "To maximize legibility, all labels shall be printed or generated by a mechanical device, and shall not be written by hand."

For Instructions in Local Languages
and Technical Support:

www.panduit.com/resources/install_maintain.asp

PANDUIT

www.panduit.com

E-mail:
cs@panduit.com

Fax:
(708) 444-6993