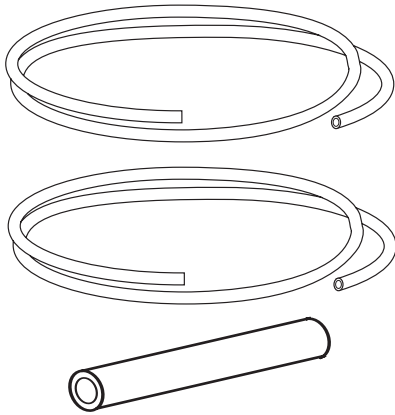


CONTENTS

FK2BJ

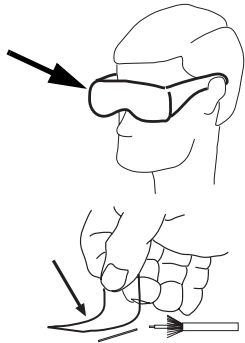
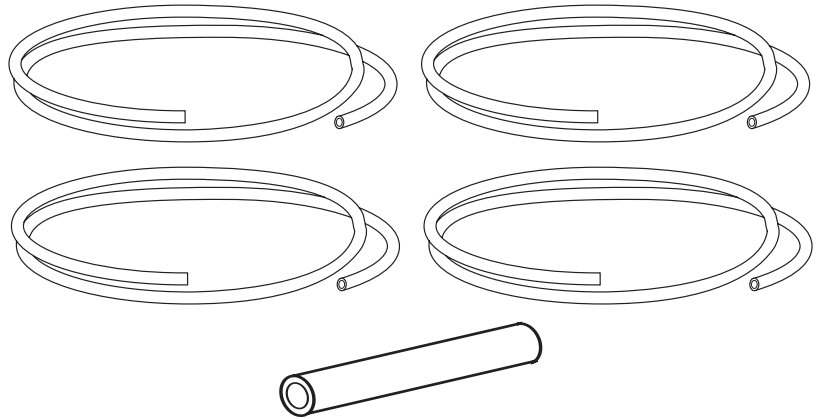
INCLUDES: TWO 1-METER FURCATION TUBES AND ONE 3" X 1/4" DIAMETER HEAT SHRINK TUBE



OR

FK4BJ

INCLUDES: FOUR 1-METER FURCATION TUBES AND ONE 3" X 3/8" DIAMETER HEAT SHRINK TUBE



PRECAUTIONS

1. SAFETY GLASSES

WARNING: It is strongly recommended that safety glasses be worn when handling bare optical fiber. The bare fiber is very sharp and can easily damage the eye.

2. DISPOSAL OF BARE FIBERS

WARNING: Pick up and discard all pieces of bare fiber with sticky tabs. Do not let cut pieces of fiber stick to clothing or drop in the work area where they are hard to see and can cause injury.

3. LASER LIGHT PROTECTION

WARNING: Laser light is invisible. The invisible light is powerful enough to damage your eyes. Serious damage to the retina of the eye is possible. Never look into the end of a fiber which may have a laser coupled into it. Should accidental eye exposure to laser light be suspected, arrange for an eye examination immediately.

4. CABLE HANDLING

WARNING: Fiber optic cable can be damaged by excessive pulling, twisting, crushing or bending stresses. Consult the appropriate specification sheets as provided by your cable vendor. Any damage may result in decreased optical performance.

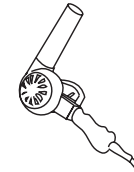
TOOLS



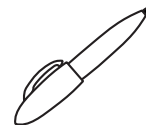
CABLE JACKET STRIPPER (CST-115)



ARAMID YARN CUTTER (FKC)



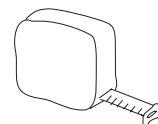
HEAT GUN (HSG-115V-300)



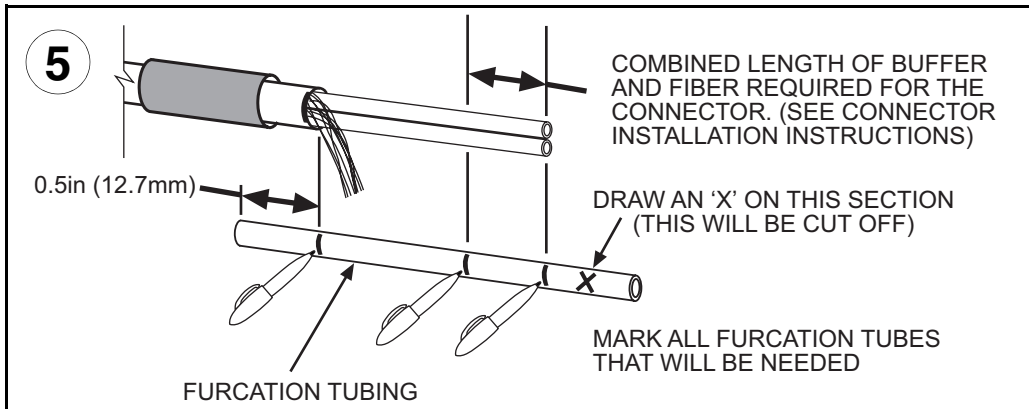
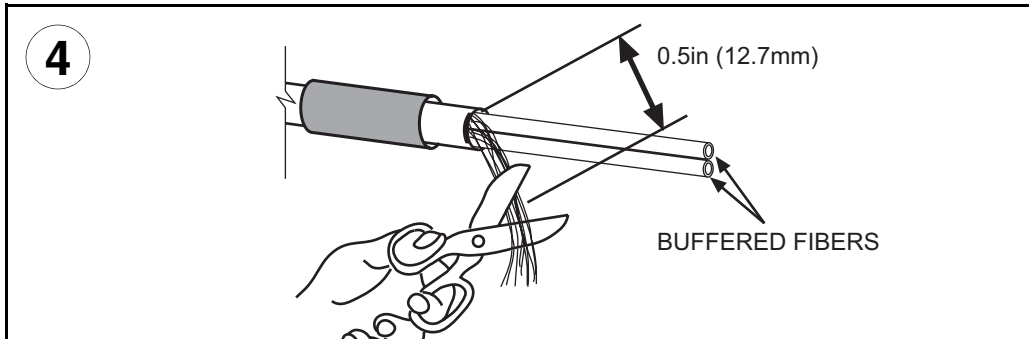
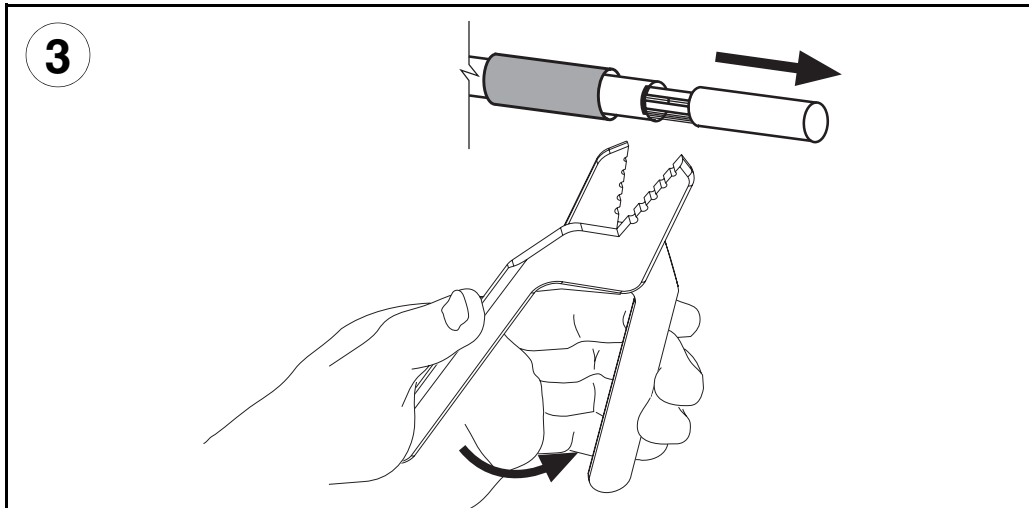
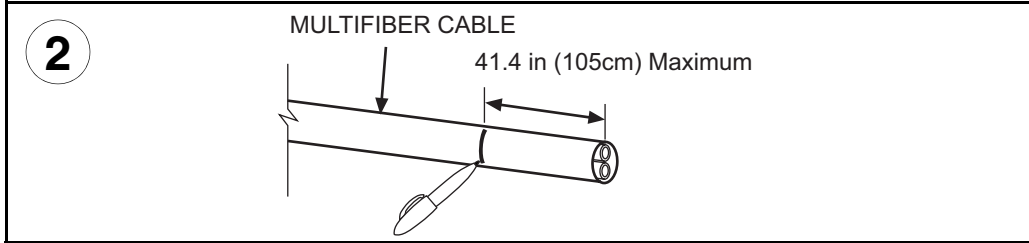
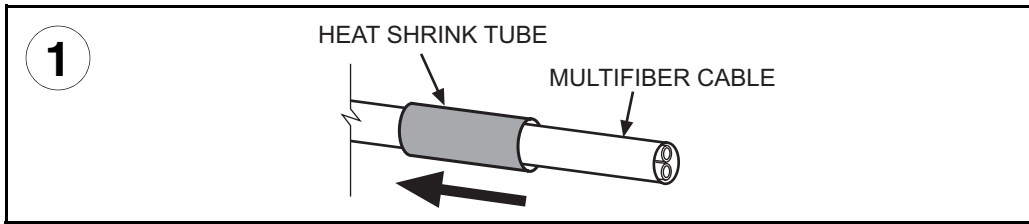
MARKING PEN (PFX-0)

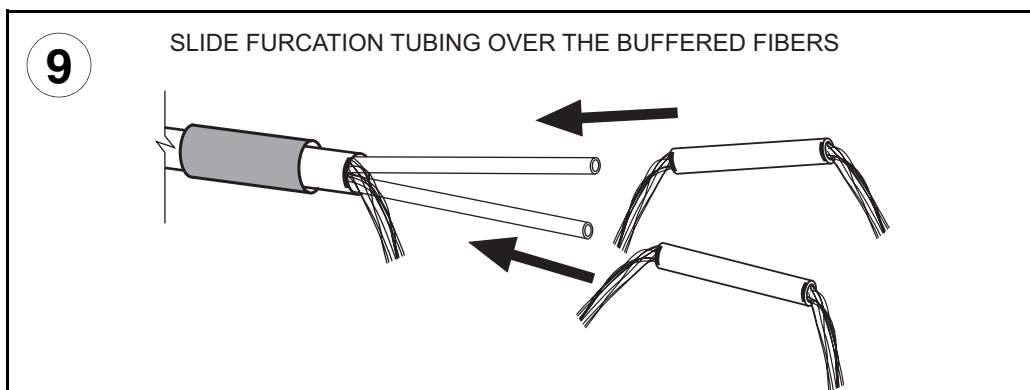
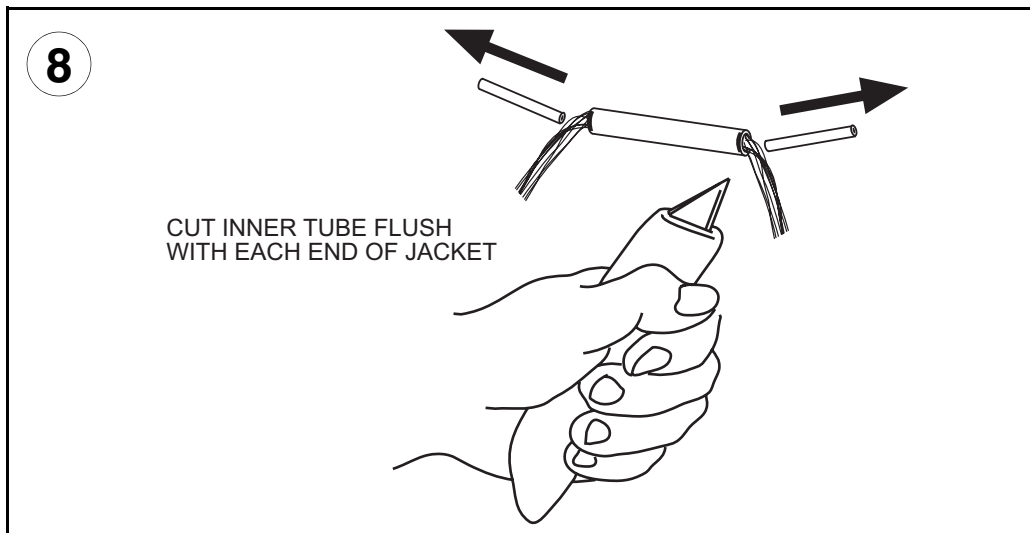
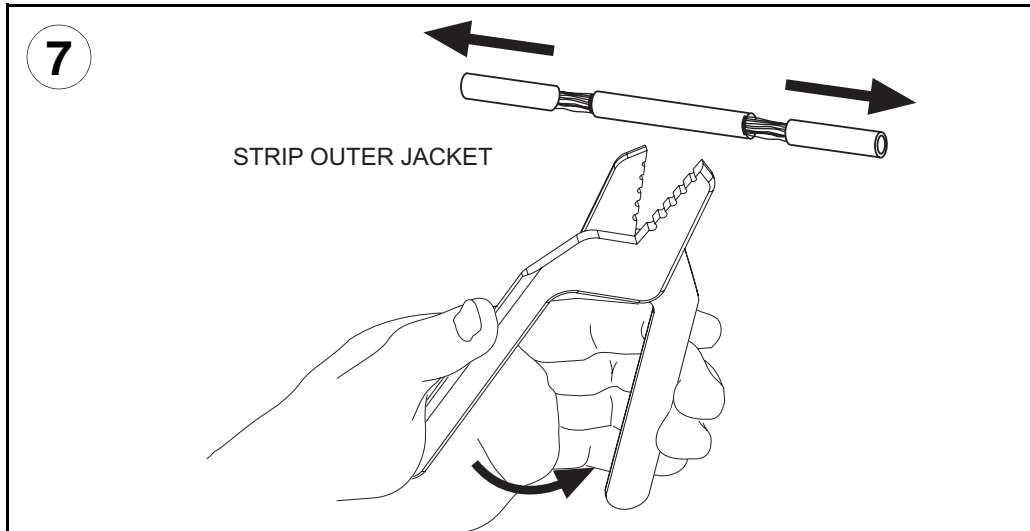
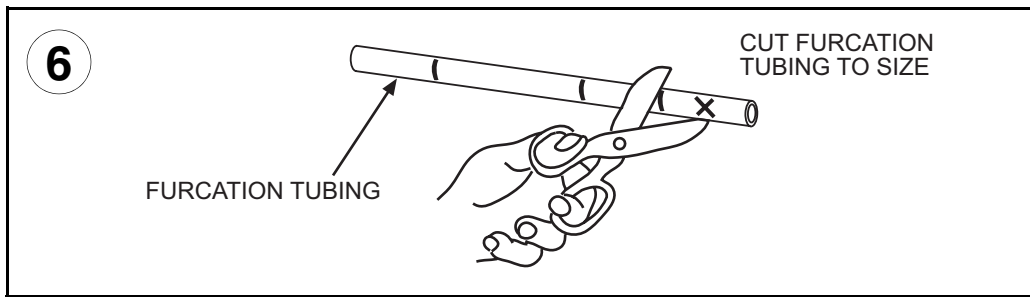


UTILITY KNIFE

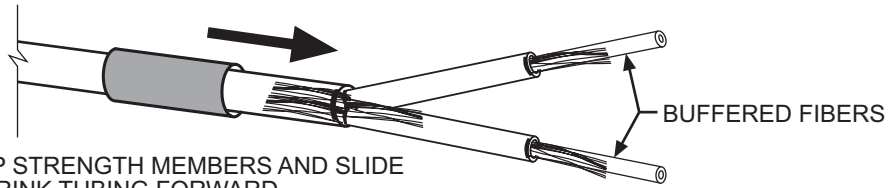


TAPE MEASURE



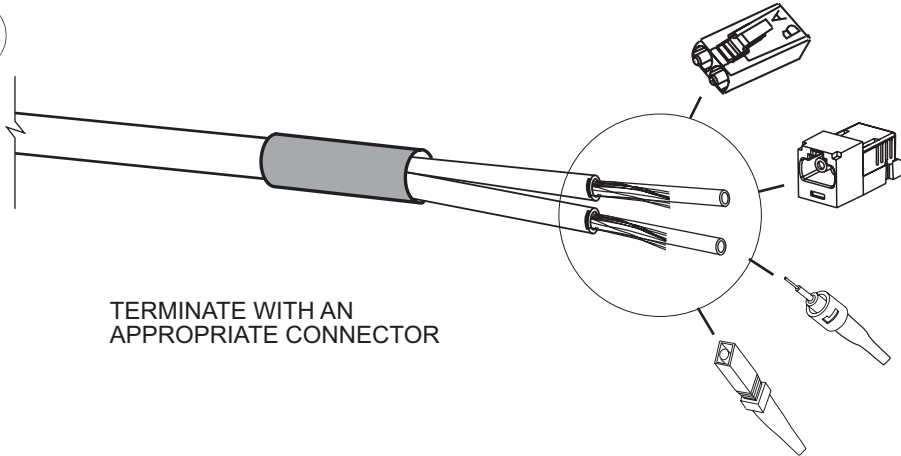


10



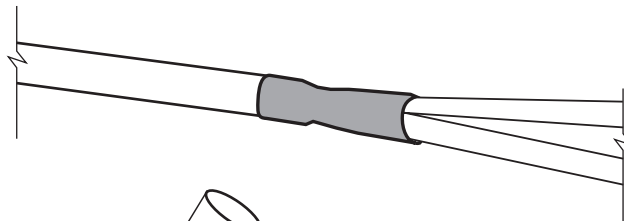
OVERLAP STRENGTH MEMBERS AND SLIDE HEAT SHRINK TUBING FORWARD, CENTERED OVER THE SPLICE

11



TERMINATE WITH AN APPROPRIATE CONNECTOR

12



250° F (121° C)
EVENLY HEAT THE TUBING UNTIL
IT HAS FULLY RECOVERED AND
CONFORMS TO THE CABLES.

