

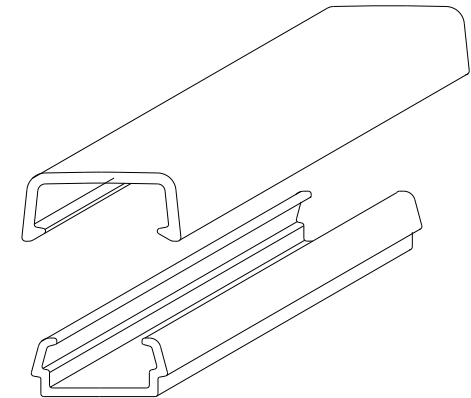
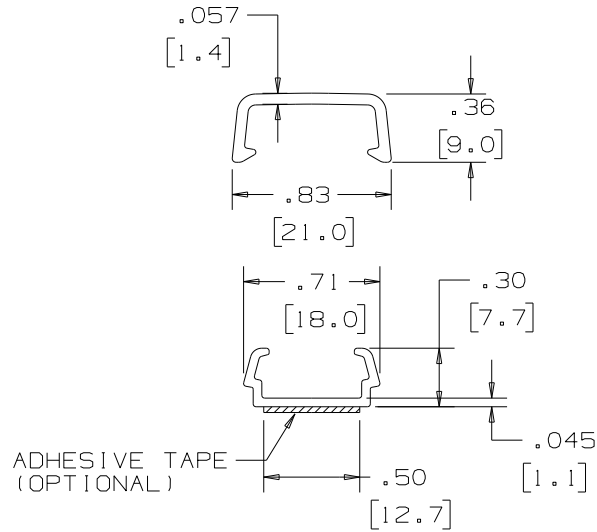
THIS COPY IS PROVIDED ON A RESTRICTED BASIS AND IS NOT TO BE USED IN ANY WAY DETRIMENTAL TO THE INTERESTS OF PANDUIT CORP.

PANDUIT PART NO.	LENGTH IN. (mm.)	STATIC LOAD	WEIGHT
PDX3**6	72.0 ±.09 (1829 ±2.3)	NO TAPE	.07 LB./FT. (.11 g/mm.)
PDX3**6-A		.24 LB./in. (4.3 g/mm.)	

NOTES:

- SEE CURRENT CATALOG FOR ADDITIONAL PART NUMBER SUFFIXES TO INDICATE COLOR AND OR PACKAGE QUANTITY.
- ADHESIVE BACKED PART DESIGNED TO SUPPORT MAXIMUM WEIGHT ON A CLEAN, DRY, SMOOTH SURFACE.
- TO APPLY ADHESIVE BACKED PART:
 - REMOVE LINER.
 - PLACE IN DESIRED LOCATION.
 - APPLY PRESSURE TO PART.
- DIMENSIONS IN PARENTHESES ARE IN METRIC.

NO WARRANTY, EXPRESSED OR IMPLIED, IS MADE BY PANDUIT WITH RESPECT TO ADHESIVE BOND PERFORMANCE. AMONG OTHER THINGS, THE CONDITIONS UNDER WHICH THESE MOUNTS MAY BE APPLIED AND/OR THE SURFACE TO WHICH THEY MAY BE APPLIED ARE BEYOND PANDUIT'S CONTROL.



CAD FILENAME/LAYERS		D35071BM_PDX3_BXC_00	
<h1>PANDUIT</h1> CORP. TINLEY PARK, ILLINOIS		POWER DUCT 3 BASE AND COVER (PDX3) CUSTOMER DRAWING	
		UNLESS OTHERWISE SPECIFIED, DIMENSIONAL TOLERANCES ARE: (.X) ± (.XXX) ±.010(.3) (.XX) ±.03(.8) ANGLES ±	UNLESS OTHERWISE SPECIFIED, ALL DIMENSIONS ARE GIVEN IN INCHES, THIRD ANGLE PROJECTION.
DRAWN BY DW	MAT'L: PVC	SCALE NONE	
DATE 6-9-95	CHECKED BY CEF	DRAWING NO. 35071-17	DWG A SIZE

REV	DATE	BY	CHK	DESCRIPTION	ECN	CHK	CUST	SUP
R	6-9-95	DW	CEF	RELEASED TO PRODUCTION.	35071-17	CEF	CEF	