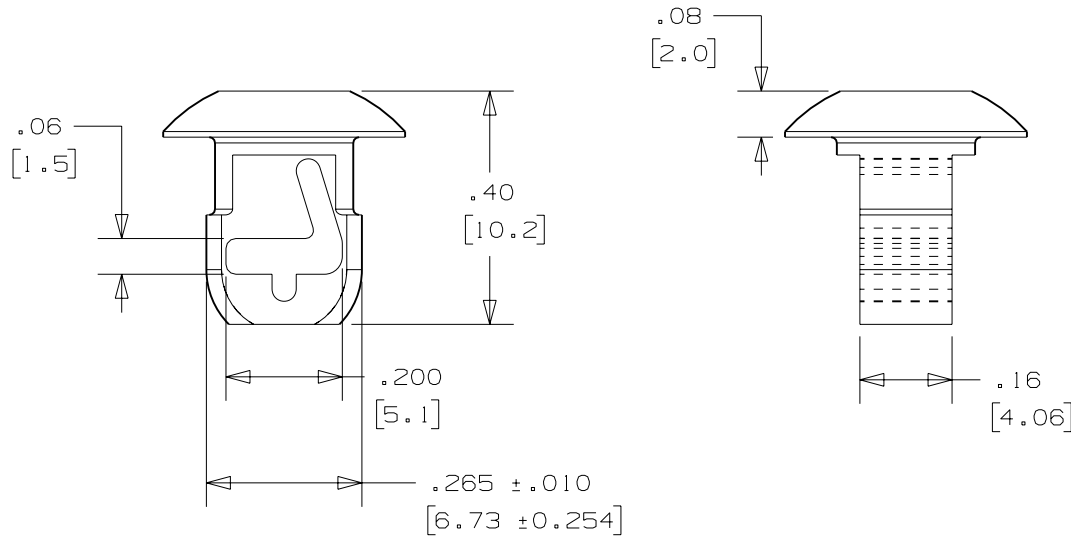
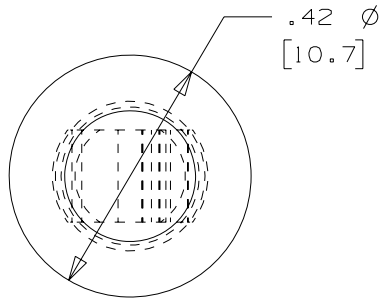


THIS COPY IS PROVIDED ON A RESTRICTED BASIS AND IS NOT TO BE USED IN ANY WAY DETRIMENTAL TO THE INTERESTS OF PANDUIT CORP.

PANDUIT PART NO. *	USE WITH ANY OF THESE CABLE TIE CROSS-SECTIONS	PANEL DIMENSIONS		WEIGHT lbs./100 (G)/pcs.
		THICKNESS	HOLE SIZE	
PBMS-H25	MINIATURE INTERMEDIATE STANDARD	0.125 (3.2) MAX.	0.250±0.005 (6.4 ±0.127)	0.067 (30.42)



FULL SCALE

NOTES:

* 1) SEE CURRENT PRICE SHEET FOR PART NUMBER SUFFIX DESIGNATION FOR PACKAGE SIZE AND COLOR.

DIMENSIONS IN BRACKETS ARE METRIC [mm]

CAD FILENAME/LAYERS G00239HV_PB_PBMS_01.PRT

PANDUIT CORP. TINLEY PARK, ILLINOIS

PUSH BUTTON MOUNT
PBMS-H25

UNLESS OTHERWISE SPECIFIED, DIMENSIONAL TOLERANCES ARE:
(.X) ±0.05 (1.3) (.XXX) ±0.010 (0.25)
(.XX) ±0.02 (0.5) ANGLES ± 5°

UNLESS OTHERWISE SPECIFIED, ALL DIMENSIONS ARE GIVEN IN INCHES, THIRD ANGLE PROJECTION.

DRAWN BY JAD

MAT'L:

SCALE 3X

DATE 8/21/02

NYLON 6/6

DRAWING NO.

G00239HV

DWG SIZE A

REV	DATE	BY	CHK	DESCRIPTION	ECN	R	CUST	SUP
1	7-7-06	TMSA		UPDATED DRAWING PICTORIALLY REVISED DIMENSION TOLERANCES .XX	G00239HV	1		