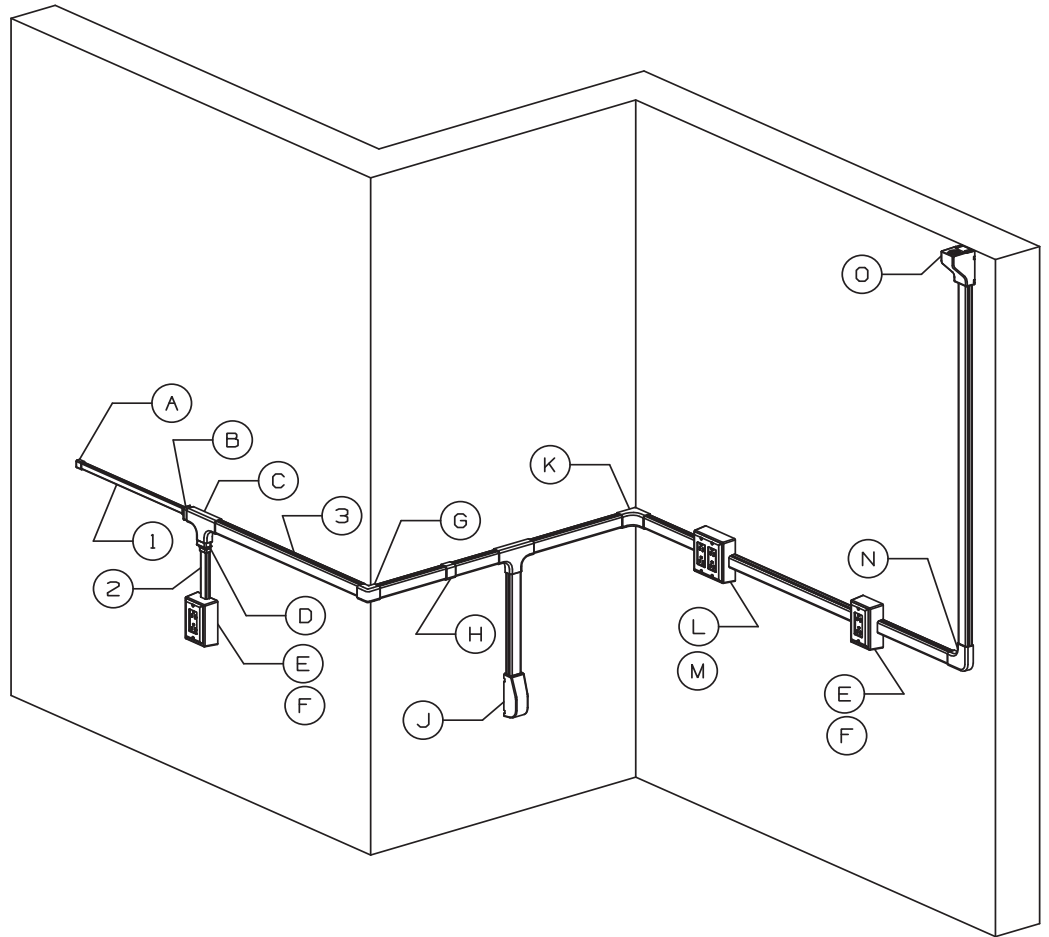


#### PARTS LIST:

1. LDPH3 - RACEWAY
2. LDPH5 - RACEWAY
3. LDPH10 - RACEWAY
- A. ECFX - END CAP FITTING
- B. RFX103 - REDUCER FITTING
- C. TFX - TEE FITTING
- D. RFX105 - REDUCER FITTING
- E. SINGLE GANG BOX
- F. SINGLE GANG FACEPLATE
- G. OCFX - OUTSIDE CORNER FITTING
- H. CFX - COUPLER FITTING
- J. RAEFX - ENTRANCE END FITTING
- K. ICFX - INSIDE CORNER FITTING
- L. DOUBLE GANG BOX
- M. DOUBLE GANG FACEPLATE
- N. RAFX - RIGHT ANGLE FITTING
- O. DCEFX - DROP CEILING ENTRANCE END FITTING



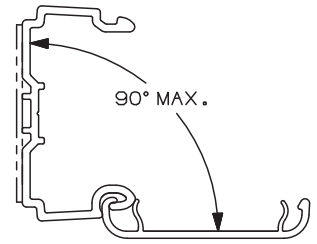
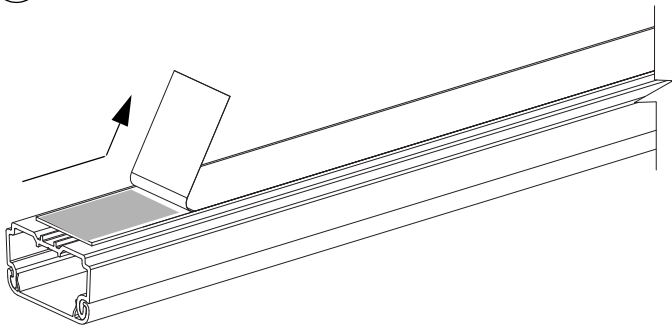
### FILL CAPACITY TABLE



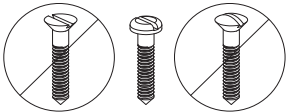
RACEWAY TYPE	FILL AREA (IN <sup>2</sup> )	* ELECTRICAL						DATA GRADE CABLE				COAX CABLE		FIBER OPTIC CABLE	
		14 AWG		12 AWG		10 AWG		24 AWG/UTP CM				RG6		2 STRAND	
		THHN						CAT 5 4 pr.		CAT 6 4 pr.					
		.105 DIA.		.122 DIA.		.153 DIA.		.217 DIA.		.250 DIA.		.275 DIA.		.175 DIA.	
		MAXIMUM FILL						SPEC	MAX.	SPEC	MAX.	SPEC	MAX.	SPEC	MAX.
USA	CANADA	USA	CANADA	USA	CANADA	40%	60%	40%	60%	40%	60%	40%	60%		
LDPH3	.17	9	7	7	5	4	3	1	2	1	2	1	1	2	4
LDPH5	.33	14	14	12	11	8	7	3	5	2	4	2	3	5	8
LDPH10	.89	18	18	18	18	16	16	9	14	7	10	5	8	14	22

\*#1RES NOT BUNDLED

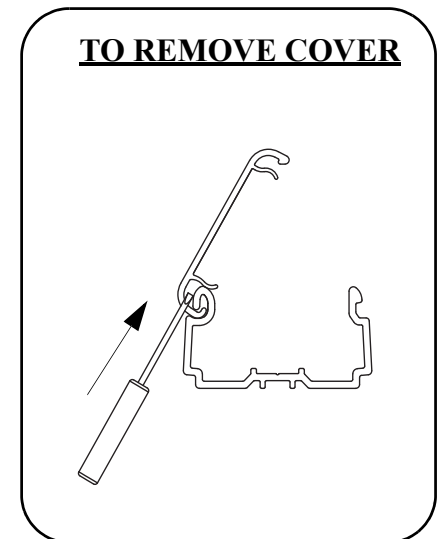
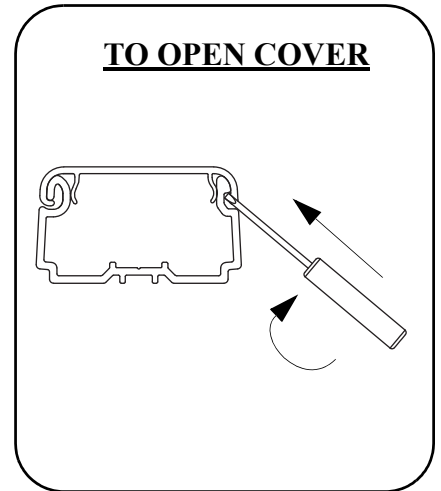
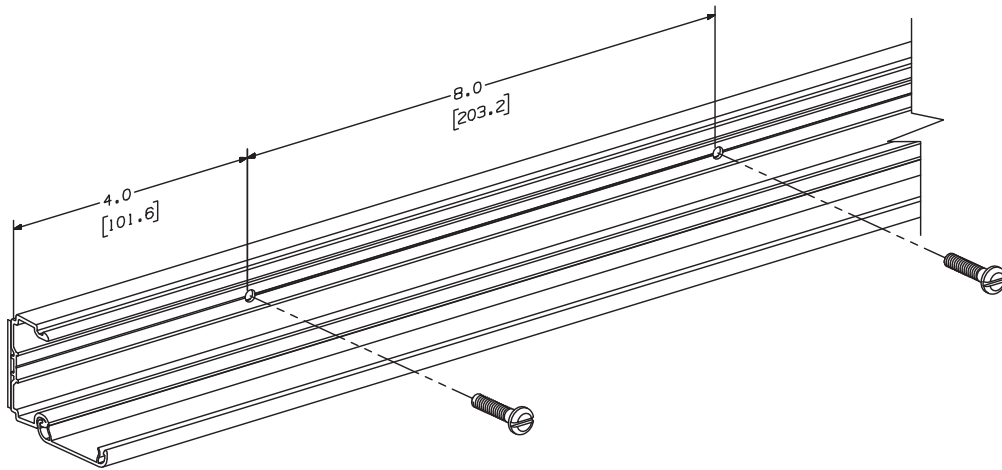
1



2



THE MOUNTING HARDWARE USED TO SECURE THE RACEWAY SHALL BE APPROPRIATE FOR THE MOUNTING SURFACE.



3

