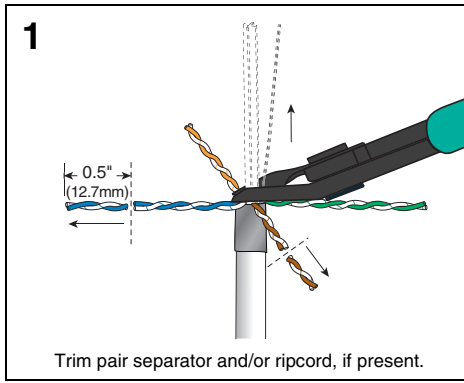
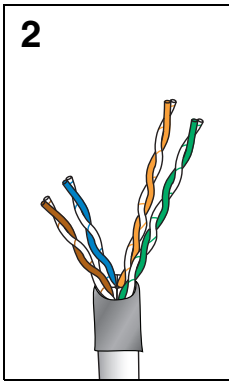


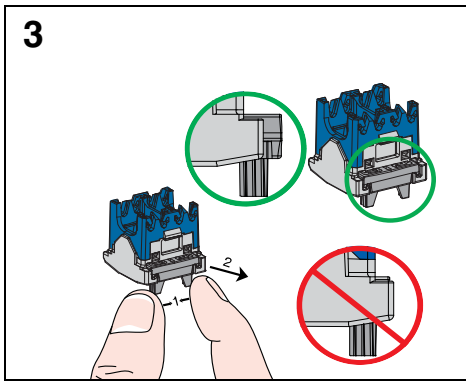
CABLE PREPARATION STEPS

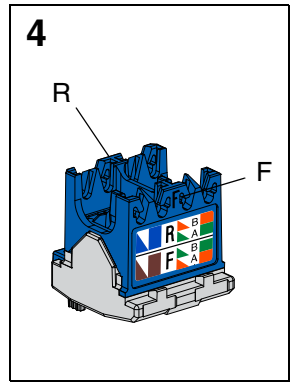
<p>S/FTP</p> <p>Individual foil pair screen Conductors Braid</p>	<p>2.00" (50.8mm)</p> <p>CWST</p> <p>0.50" (12.7mm)</p>
<p>SF/UTP</p> <p>Overall foil screen Conductors Braid</p>	<p>2.00" (50.8mm)</p> <p>CWST</p> <p>0.50" (12.7mm)</p>
<p>U/FTP</p> <p>Individual foil pair screen Conductors Drain wire</p>	<p>2.00" (50.8mm)</p> <p>Drain Wire</p> <p>CWST</p> <p>0.50" (12.7mm)</p>
<p>F/UTP</p> <p>Overall foil screen Conductors Drain wire</p>	<p>2.00" (50.8mm)</p> <p>Drain Wire</p> <p>CWST</p> <p>0.50" (12.7mm)</p>

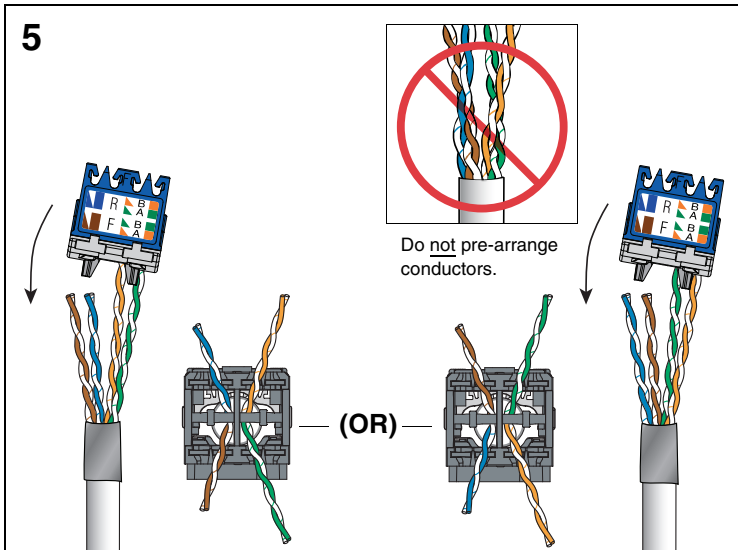
TERMINATION STEPS

1 Trim pair separator and/or ripcord, if present. 

2 

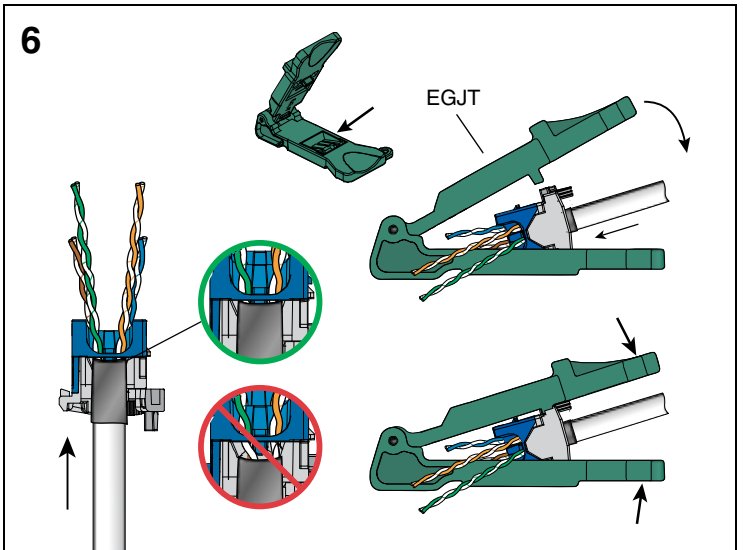
3 

4 

5 

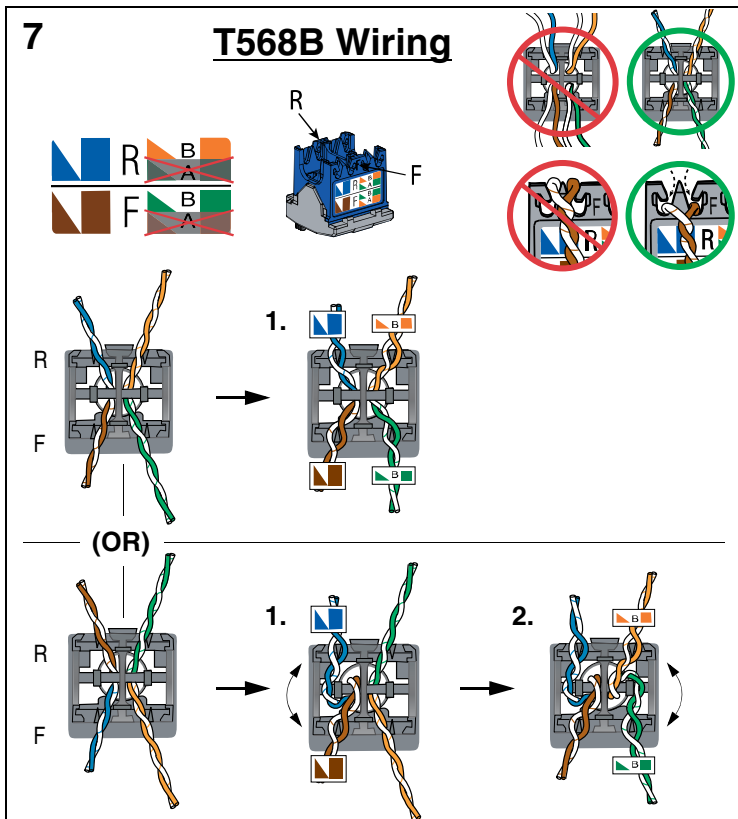
Do not pre-arrange conductors.

(OR)

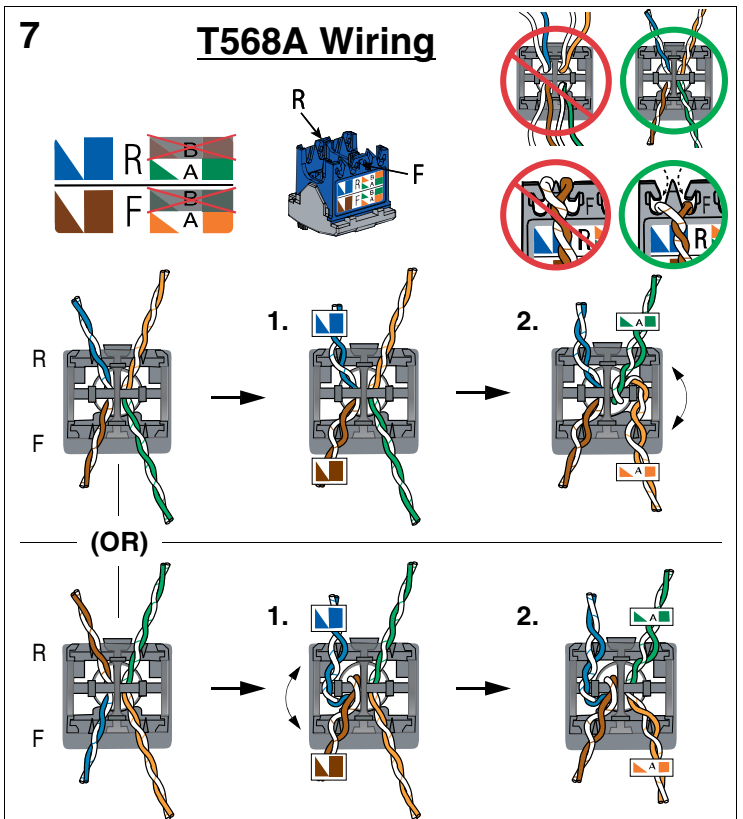
6 

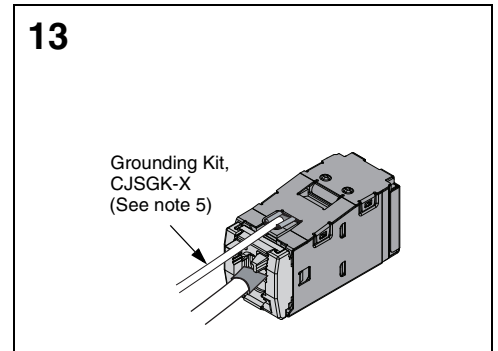
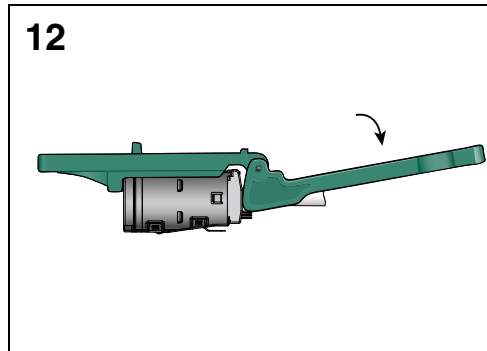
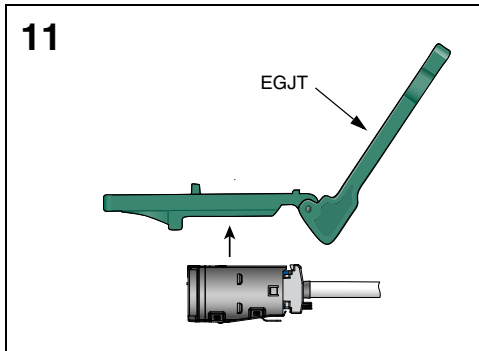
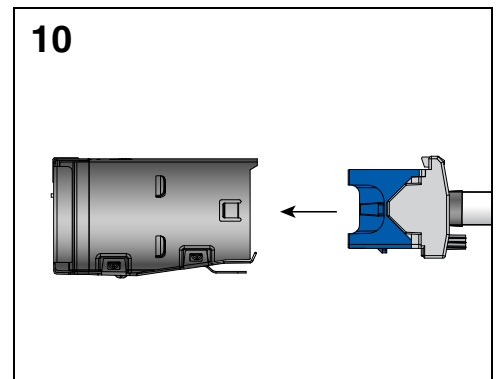
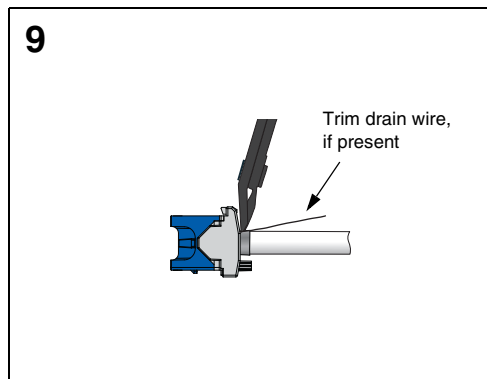
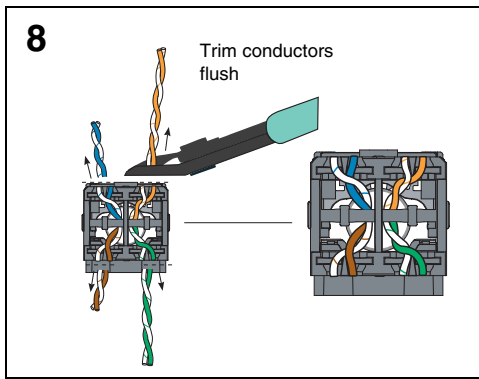
EGJT

7 T568B Wiring

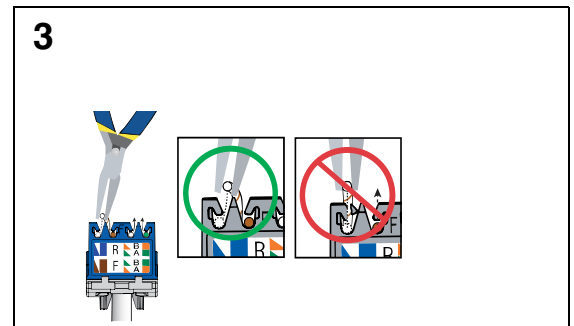
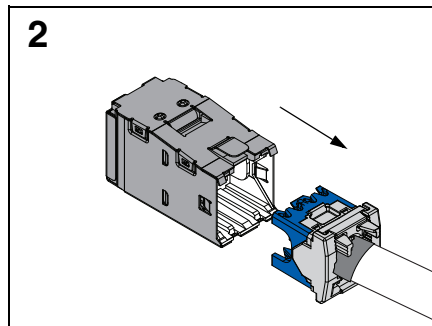
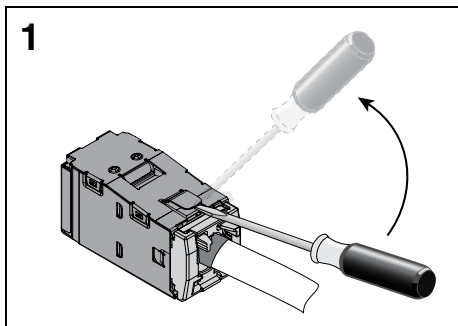


7 T568A Wiring





REMOVAL STEPS



Notes:

1. For specified performance, follow TIA/EIA 568-C installation guidelines.
2. Shielded jack modules can terminate 22-26 AWG solid or stranded IWC data cable with 0.062" (1.57mm) maximum insulated conductor outside diameter.
3. Shielded jack modules may be re-terminated a minimum of 20 times.
4. For technical and performance information, contact Panduit Technical Support.
5. CJSGK-X Grounding Kit is REQUIRED for all Mini-Com Modular Patch Panels, but is optional for Mini-Com All Metal Shielded Modular Patch Panels.

As with all Communication Components, the following statements apply:

1. Never install communications wiring during a lightning storm.
2. Never install communications wiring in wet locations unless the jack is specifically designed for use in wet locations.
3. Never touch uninsulated communications wiring or terminals unless the communication line has been disconnected at the network interface.
4. Use caution when installing or modifying communication wiring.

<p>For Instructions in Local Languages and Technical Support: www.panduit.com/resources/install_maintain.asp</p>	<p>PANDUIT www.panduit.com</p>	<p>E-mail: techsupport@panduit.com</p> <p>Phone: 866-405-6654</p>
---	---	---