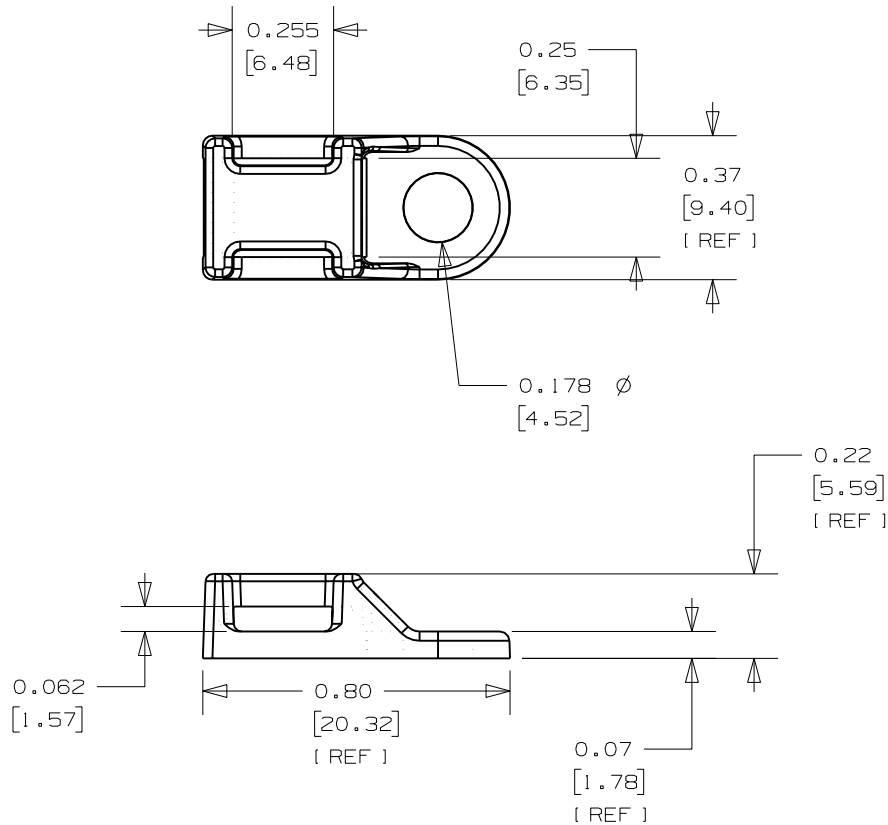


THIS COPY IS PROVIDED ON A RESTRICTED BASIS AND IS NOT TO BE USED IN ANY WAY DETRIMENTAL TO THE INTERESTS OF PANDUIT CORP.

PANDUIT PART NO.	REQUIRED FASTNER	WEIGHT lbs/100 pcs (g)/100 pcs	PRODUCT COMPATIBLE WITH CABLE TIE CROSS-SECTION(S):
SGTA1S8-_ TASG1S8-_ _	#8 (M4) SCREW	0.86 (38.77)	M, I, S SG100M, SG150I, SG200S, SG250S, SG300S, SG370S



NOTES:

- SEE CURRENT PRICE SHEET FOR PART NUMBER SUFFIX DESIGNATION FOR PACKAGE SIZE

DIMENSIONS IN BRACKETS ARE METRIC [ mm ]

CAD FILENAME/LAYERS G02987CE\_PB\_TASG1S8\_02

**PANDUIT** CORP. TINLEY PARK, ILLINOIS

TIE ANCHOR (SUPER GRIP TIES)  
SGTA1S8-\_ & TASG1S8-\_  
\_

UNLESS OTHERWISE SPECIFIED,  
DIMENSIONAL TOLERANCES ARE:  
(.X)  $\pm 0.05$  (1.3) (.XXX)  $\pm 0.010$  (0.25)  
(.XX)  $\pm 0.02$  (0.5) ANGLES  $\pm 5^\circ$

UNLESS OTHERWISE SPECIFIED,  
ALL DIMENSIONS ARE GIVEN  
IN INCHES, THIRD ANGLE PROJECTION.

DRAWN BY TMSA MAT'L:

SCALE 2/1

DATE 4-7-05

NYLON 6/6

DRAWING NO. GB2987CE DWG SIZE A

2	3/9/06	JAD	COMPLETELY REVISED	GB2987CE	2				
REV	DATE	BY	CHK	DESCRIPTION	ECN	R	CUST	SUP	