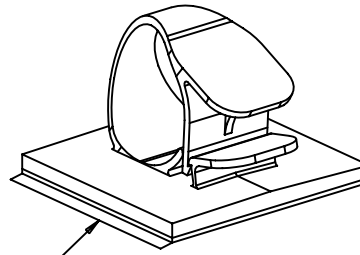
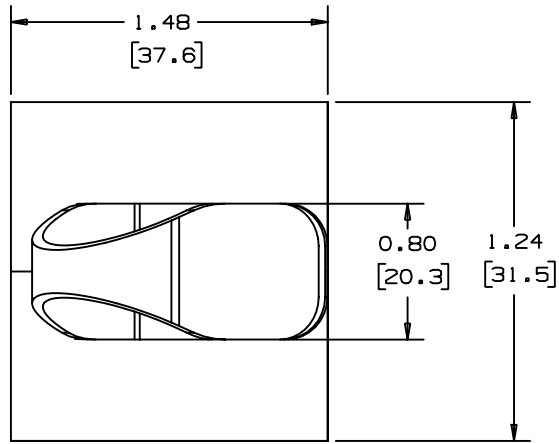


THIS COPY IS PROVIDED ON A RESTRICTED BASIS AND IS NOT TO BE USED IN ANY WAY DETRIMENTAL TO THE INTERESTS OF PANDUIT CORP.

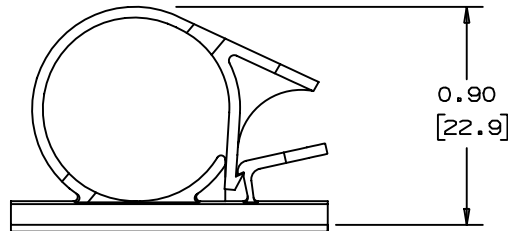


TEAR TAB 3/4 SCALE

PANDUIT PART NUMBER	MAXIMUM CABLE DIA. IN [MM]	WEIGHT LBS. [g]/100PCS
LWC75-A	0.750 (19.05)	1.20 (5.40)

NOTES

- SEE CURRENT PRICE SHEET FOR PART NUMBER SUFFIX DESIGNATION, FOR PACKAGE SIZE
- MOUNT IS DESIGNED TO TO SUPPORT 0.937 lbs (425g) MAX WEIGHT ON A CLEAN, SMOOTH, DRY SURFACE.



TO APPLY LATCHING WIRE CLIP:
(APPLY TO A CLEAN, GREASE FREE SURFACE)

- REMOVE PROTECTIVE LINER
- PLACE IN DESIRED LOCATION
- APPLY PRESSURE TO THE TOP OF LATCHING WIRE CLIP.

ADHESIVE BACKING: PRESSURE SENSITIVE FOAM 0.04 [1.0] THICK WITH PROTECTIVE LINER TO EXTEND BEYOND THE EDGE FORMING A TEAR TAB.

NO WARRANTY, EXPRESSED OR IMPLIED, IS MADE BY PANDUIT WITH RESPECT TO ADHESIVE BOND PERFORMANCE. AMONG OTHER THINGS, THE CONDITIONS UNDER WHICH THESE MOUNTS MAY BE APPLIED, AND/OR THE SURFACE TO WHICH THEY MAY BE APPLIED, ARE BEYOND PANDUIT'S CONTROL.

DIMENSIONS IN BRACKETS ARE METRIC [mm]

CAD FILENAME/LAYERS

G00239FD_PB_LWC75A_02



CORP. TINLEY PARK, ILLINOIS

LWC75-A, LATCHING WIRE CLIP

UNLESS OTHERWISE SPECIFIED, DIMENSIONAL TOLERANCES ARE:
(.X) ±0.05 (1.3) (.XX) ±0.010 (0.25)
(.XX) ±0.02 (0.5) ANGLES ± 5°

UNLESS OTHERWISE SPECIFIED, ALL DIMENSIONS ARE GIVEN IN INCHES, THIRD ANGLE PROJECTION.

REV	DATE	BY	CHK	DESCRIPTION	ECN	R	CUST	SUP
2	1-7-98	C6SM		CHANGED NOTE 3 ON APLICATION INSTRUCTIONS	GB0239FD	2		
1	12-15-97	JAD		REVISED DIMENSIONS ADDIING METRIC VALUES	GB0239FD	1		
R	06/18/97	JOS		INITIAL RELEASE	GB0239FD	R		

DRAWN BY JOS

MAT'L:

SCALE N/A

DATE 6/18/97

NYLON 6/6

DRAWING NO.

GB0239FD

DWG SIZE A